

DEC-15-H2IB-D

**PDP-15 SYSTEMS**  
RF15/RS09 DECdisk SYSTEM  
MAINTENANCE MANUAL  
VOLUME 2

DIGITAL EQUIPMENT CORPORATION • MAYNARD, MASSACHUSETTS

1st Printing October 1970  
2nd Printing (Rev) July 1971

The material herein is for information purposes only and is subject to change without notice. Digital Equipment Corporation assumes no responsibility for any errors which may appear herein.

These drawings and specifications herein are the property of Digital Equipment Corporation and shall not be reproduced or copied or used in whole or in part as the basis for the manufacture or sale of items without written permission.  
Copyright © 1975, Digital Equipment Corporation

Copyright © 1971 by Digital Equipment Corporation

The material in this manual is for informational purposes and is subject to change without notice.

The following are trademarks of Digital Equipment Corporation, Maynard, Massachusetts:

DEC	PDP
FLIP CHIP	FOCAL
DIGITAL	COMPUTER LAB

# RF15/RS09 DECdisk System Engineering Drawings

This volume of the RF15/RS09 DECdisk System Maintenance Manual contains the engineering drawings for the RF15 DECdisk Control and the RS09 DECdisk Drive that are referenced in Volume 1.

## DRAWING CODES

Digital Equipment Corporation engineering drawings are coded to designate drawing type, major assembly, and series. A drawing number such as D-BS-RF15-0-01 contains the following information:

D	Size (original)
BS	Type (block schematic)
RF15	Equipment designation
0	Manufacturing variation
01	The first drawing of a series

The drawing type codes are defined as follows:

AD	Assembly drawing
AR	Arrangement drawing
BS	Block schematic
CS	Circuit schematic
DI	Drawing index
FD	Flow diagram
IA	Inseparable Assembly
IC	Interconnection cabling
ML	Master drawing list
MU	Module utilization drawing
PL	Parts list
TD	Timing diagram
UA	Unit assembly
WL	Wire list

## DRAWING NUMBER INDEX

Table 1 is an index to the engineering drawings, arranged by equipment and drawing type codes.

Table 1  
Drawing Number Index

Drawing No.	Revision	Title
RF15 DECdisk Control		
D-UA-RF15-0-0		RF15 DECdisk Control
A-PL-RF15-0-0		RF15 DECdisk Control
A-PL-7006675-0-0		RF15 Wired Assembly
D-BS-RF15-0-01	C	A Timing Track Error Detection and Regeneration
D-BS-RF15-0-02	C	B, C, and D Timing Track Error Detection and Regeneration
D-BS-RF15-0-03	E	RF15 Control 1
D-BS-RF15-0-04	A	RF15 Control 2
D-BS-RF15-0-05		Program Control 1
D-BS-RF15-0-06		Program Control 2
D-BS-RF15-0-07	C	DCH Control
D-BS-RF15-0-08	B	API Control
D-BS-RF15-0-09	A	Maintenance Timing Track
D-BS-RF15-0-10	D	Status Register
D-BS-RF15-0-11		Disk Selection
D-BS-RF15-0-12	A	Disk Segment
D-BS-RF15-0-13		Word Address
D-BS-RF15-0-14	B	Disk Track Address
D-BS-RF15-0-15		Equal Comparison Gating
D-BS-RF15-0-16	A	Shift Register 1
D-BS-RF15-0-17	A	Shift Register 2 (2 sheets)
D-BS-RF15-0-18		Buffer Register 1
D-BS-RF15-0-19		Buffer Register 2
D-BS-RF15-0-20	A	IOB Sel 1
D-BS-RF15-0-21		IOB Sel 2
D-BS-RF15-0-22		IOB Sel 3
D-IC-RF15-0-23		Indicator Cables
D-BS-RF15-0-24		RF15 I/O Drivers and Receivers 1
D-BS-RF15-0-25	B	RF15 I/O Drivers and Receivers 2
D-BS-RF15-0-26	B	RF15 I/O Drivers and Receivers 3
D-BS-RF15-0-27		1-Cycle Data Break
D-IC-RF15-0-28		RF15 To and From RS09
D-IC-RF15-0-29	A	RF15 I/O Cable

Table 1 (Cont)  
Drawing Number Index

Drawing No.	Revision	Title	
RF15 DECdisk Control (Cont)			
D-BS-RF15-0-30	A	Selection Panel	
D-BS-RF15-0-31		Converter RS09-RF15	
D-BS-RF15-0-32		ADS Register	
D-IC-RF15-0-35		AC, DC Power Wiring (3 sheets)	
D-DI-RF15-0-36		Drawing Index List	
D-AR-RF15-0-37		RF15/RS09 Arrangement	
D-MU-RF15-0-38		Module Utilization (2 sheets)	
A-PL-RF15-0-38		Module Utilization Parts List (2 sheets)	
D-FD-RF15-0-39		Flow Diagram (3 sheets)	
D-AD-7006675-0-0		RF15 wired Assembly	
D-AD-7006356-0-0	B	Jumper Panel Assembly (RF09)	
C-AD-5408405-0-0		Panel Left End Assembly (RF09)	
B-CS-5408405-0-1	P	Panel Left End Assembly (RF09)	
E-IA-5408458-0-0		Etch Board Assembly	
D-CS-5408458-0-1		Etch Board Assembly	
RS09 DECdisk Drive			
A-ML-RS09-0	N	262K 18-Bit DECdisk (RS09) 60 Hz	
A-ML-RS09-P	J	Chassis Assembly with Logic	
A-PL-RS09-0-0	D	262K 18-Bit DECdisk (RS09) (2 sheets)	
D-UA-RS09-0-0	D	262K 18-Bit DECdisk (RS09)	
D-BS-RS09-0-1		Control 1	
D-BS-RS09-0-2	A	Track Select Matrix 0	
D-BS-RS09-0-3		Track Select Matrix 1	
D-BS-RS09-0-4		Control Unit Connectors	
D-BS-RS09-0-5		Control 2	
D-IC-RS09-0-7		RS09 Location Chart, Track, Head, Cable	
D-DI-RS09-0-8		E	Drawing Index List RS09-0 (2 sheets)
D-MU-RS09-0-9		A	Module Utilization (RS09)
A-PL-RS09-0-9	A	Module Utilization List (RS09)	
E-AD-7006255-0-0	C	Blower Filter Assembly (RS09)	
RS09-TA Timing Track Writer			
D-UA-RS09-TA-0	A	Timing Track Writer RS09-TA (2 sheets)	
A-PL-RS09-TA-0	A	Timing Track Writer (RS09-TA) (2 shts)	
D-MU-RS09-TA-1	B	Module Utilization RS09-TA	
A-PL-RS09-TA-1	B	Module Utilization List (RS09-TA)	

Table 1 (Cont)  
Drawing Number Index

Drawing No.	Revision	Title
RS09-TA Timing Track Writer (Cont)		
D-BS-RS09-TA-2	B	RS09 TTW Cont.; Prim. Track Writers
D-BS-RS09-TA-3	C	RS09 TTW Cont., Gap Det. Spare Track Writers
D-BS-RS09-TA-4	C	RS09 TTW BC, WA, CLK
D-FD-RS09-TA-5	A	RS09 TT Writer Flow Chart
D-TD-RS09-TA-6	A	RS09 TT Writer Timing Diagram, Stop Timing
D-DI-RS09-TA-7		RS09-TA Drawing Index List
D-AD-7006493-0-0	A	RS09-TA Wired Assembly
A-PL-7006493-0-0	A	RS09-TA Wired Assembly
D-IA-7006522-0-0	D	
A-ML-RS09-TA	E	Timing Track Writer RS09-TA
RS08-M Disk Assembly		
A-ML-RS08-M	F	RS08-M Disk Assembly 60 Hz
D-UA-RS08-M-0	C	RS08-M Disk Assembly (2 shts)
A-PL-RS08-M-0	C	RS08-M Disk Assembly (2 shts)
D-DI-RS08-M-1	C	RS08-M Disk Assembly
D-AD-7006156-0-0	J	Chassis Assembly w/o Logic (2 shts)
D-CS-7006156-0-1	E	Power Control and Motor Control
C-AD-7005745-0-0	A	Head Shoe Assembly
Power Supply 705-B		
A-PL-705-B-0	A	Power Supply 705-B (3 shts)
D-UA-705-B-0	A	Power Supply 705-B (2 shts)
C-CS-705-B-1		Power Supply 705-B
Indicator Power Supply 716		
B-CS-716-B-1		716B Circuit Schematic
D-UA-716-0-0	E	Indicator Power Supply 716
A-PL-716-0-0	E	Indicator Power Supply 716 (2 shts)
Line Filter and Power Control 855		
D-UA-855-0-0	A	Line Filter and Power Control 855 (2 shts)
C-CS-855-0-1		855 Circuit Schematic

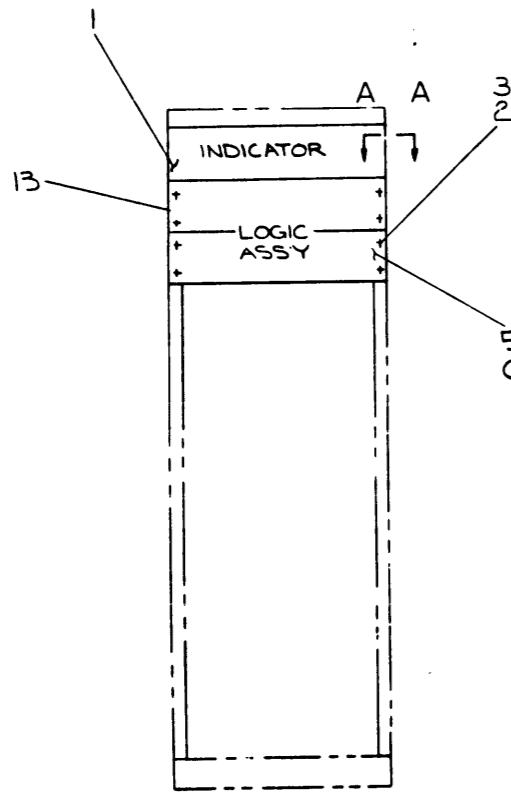
Table 1 (Cont)  
Drawing Number Index

Drawing No.	Revision	Title
RF09 Tester		
A-ML-RF09-T D-UA-RF09-T-0 C-CS-RF09-T-01 D-IC-RF09-T-02 D-BS-RF09-T-03 D-MU-RF09-T-04 A-WL-RF09-T-05  A-PI-3700006-0-0  A-PI-37000014-0-0		RF09 Tester RF09 Tester (2 sheets) Power Supply Cables Indicator Drivers RF09-T Module Utilization General Wiring Sheet, Track and Disk Select Monitor (2 shts) RS08 Cabinet-Mounted Disk Dry Packaging of Disk Assembly (3 shts) RS08/09 Packaging Instruction (3 shts)

This drawing and specifications herein are the property of Digital Equipment Corporation and shall not be reproduced or copied or used in whole or in part as the basis for the manufacture or sale of items without written permission.

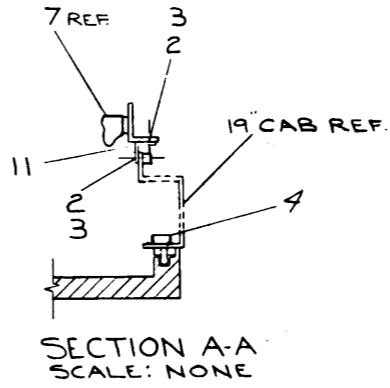
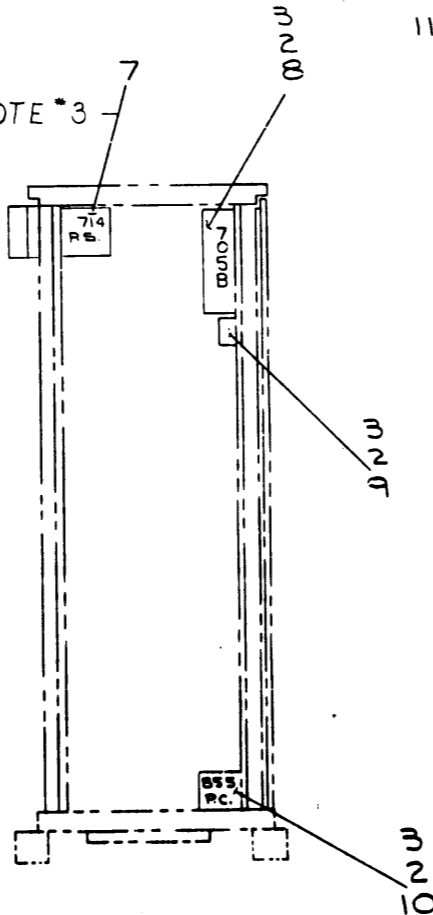
NOTES

1. FOR DWG INDEX LIST REFER TO DWG D-DI-RFIS-036
2. FOR CABLE ORIENTATION REFER TO MODULE UTILIZATION D-MU-RS09-0-5 & D-MU-RFIS-0-38
3. SEE DRAWING D-UA-7006743-0-0 FOR INSTALLATION OF CAP AND BRKT.



SEE NOTE \*3

SEE NOTE \*2



REV	CHANGE NO	DATE	BY	CHK
A	RFIS-00013	5-27-71	VONADA	
B	RFIS-00018	5-24-71	VONADA	
C	RFIS-00022	9-27-72	VONADA	

G. CREASER  
 P. H. ... 24UG75  
 D. ... 10-5-72

FIRST USED ON OPTION/MODEL  
RFIS

DO NOT SCALE DIMENSIONS UNLESS OTHERWISE SPECIFIED	DATE 1-15-70
TOLERANCES DIMENSION IN INCHES	DATE 1-15-70
ANGLES 2 90°	DATE 1-15-70
FINAL SURFACE QUALITY REMOVE BURRS AND BREAK SHARP CORNERS	DATE 1-15-70
MATERIAL	DATE 1-15-70
FINISH	DATE 1-15-70

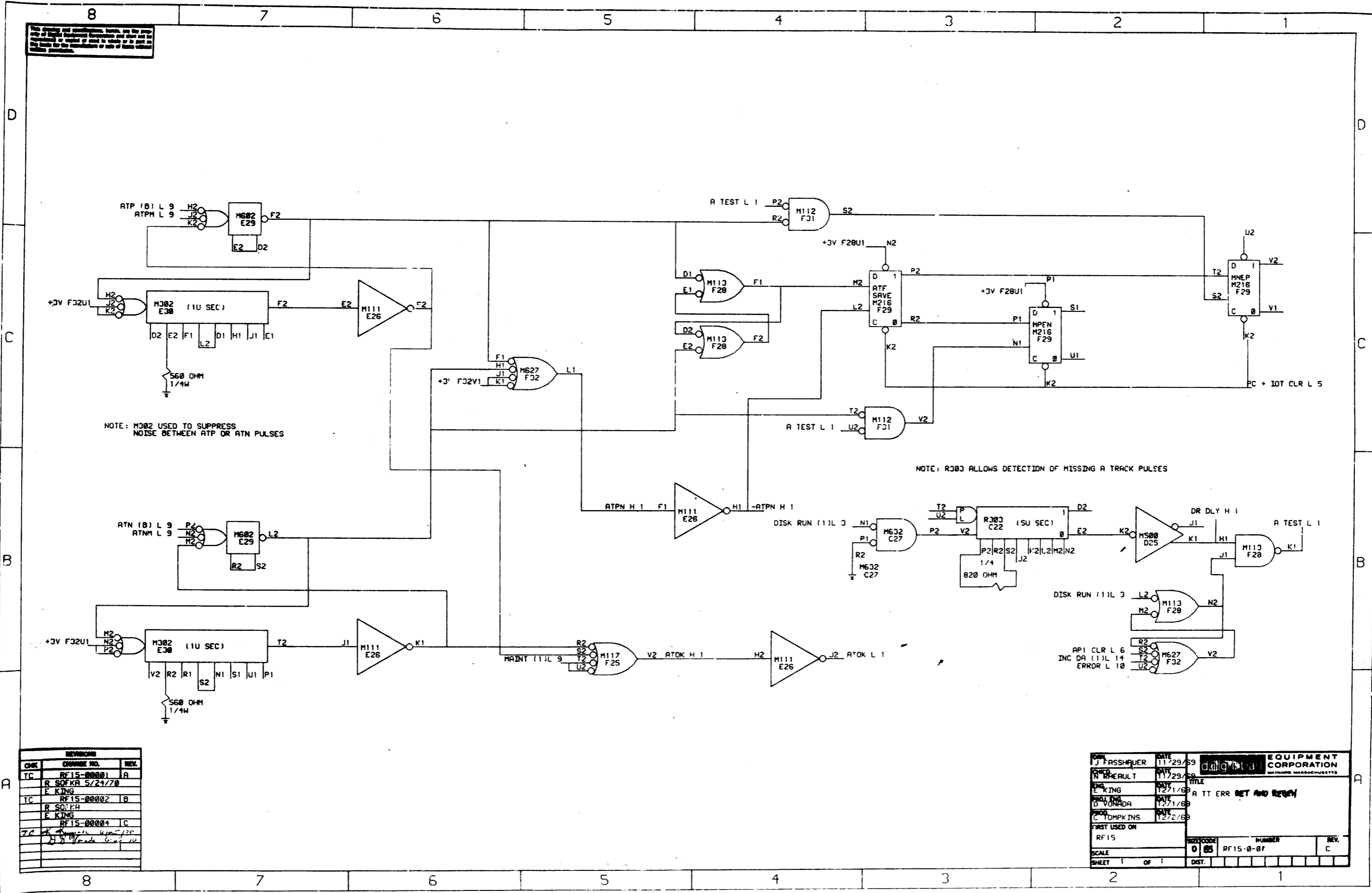
QTY.	DESCRIPTION	PART NO.	ITEM NO.
PARTS LIST			
DIGITAL EQUIPMENT CORPORATION MAYNARD, MASSACHUSETTS		TITLE DEC DISK CONTROL RFIS	
NEXT HIGHER ASSY A-MU-RFIS-0		SIZE CODE DUA RFIS-0-0	REV C
SCALE NOTE		SHEET 1 OF 1	





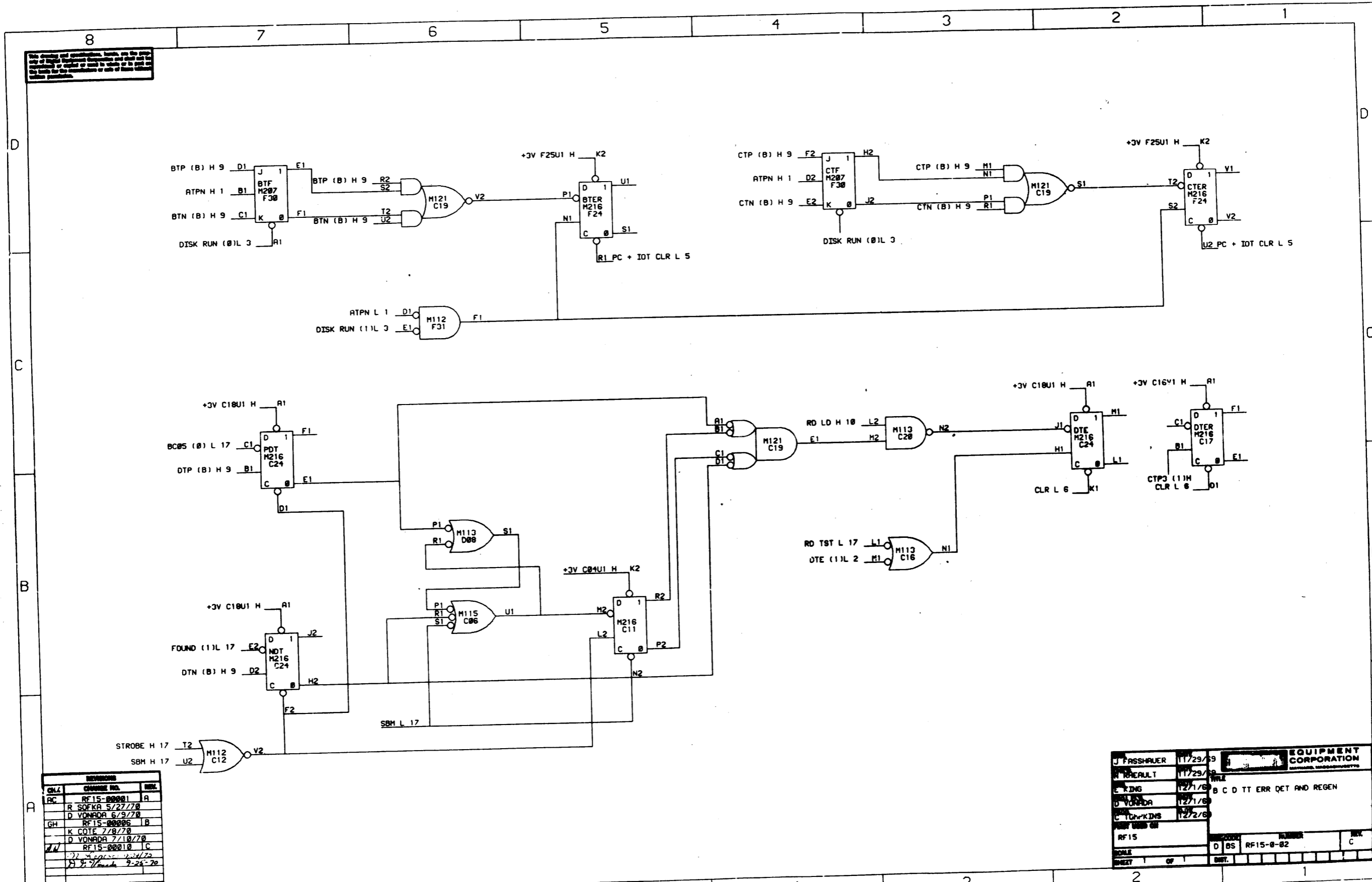


This drawing and specifications herein, are the property of Equipment Corporation and shall not be reproduced, stored in a retrieval system, or transmitted in any form or by any means, electronic, mechanical, photocopying, recording, or by any information storage and retrieval system, without the prior written permission of Equipment Corporation.



REVISIONS		
CHK	CHANGE NO.	REV.
TC	RF15-00001	A
	R SOFKA 5/21/70	
	E KING	
TC	RF15-00002	B
	R SOFKA	
	E KING	
	RF15-00004	C
	R SOFKA 4/20/70	
	E KING 6/17/70	

DESIGNED BY	J. FASSHAUER	DATE	11/29/69	EQUIPMENT CORPORATION MAYFIELD MASSACHUSETTS
CHECKED BY	N. RHEULT	DATE	11/29/69	
PROJECT	E. KING	DATE	12/11/69	TITLE
DESIGNED BY	D. VONADA	DATE	12/11/69	ERR DET AND REGR
DESIGNED BY	C. DIMPINS	DATE	12/2/69	
FIRST USED ON	RF15	SCALE	1 OF 1	REV. C
CODE	D 05	NUMBER	RF15-0-01	
SHEET	1	DIST.		



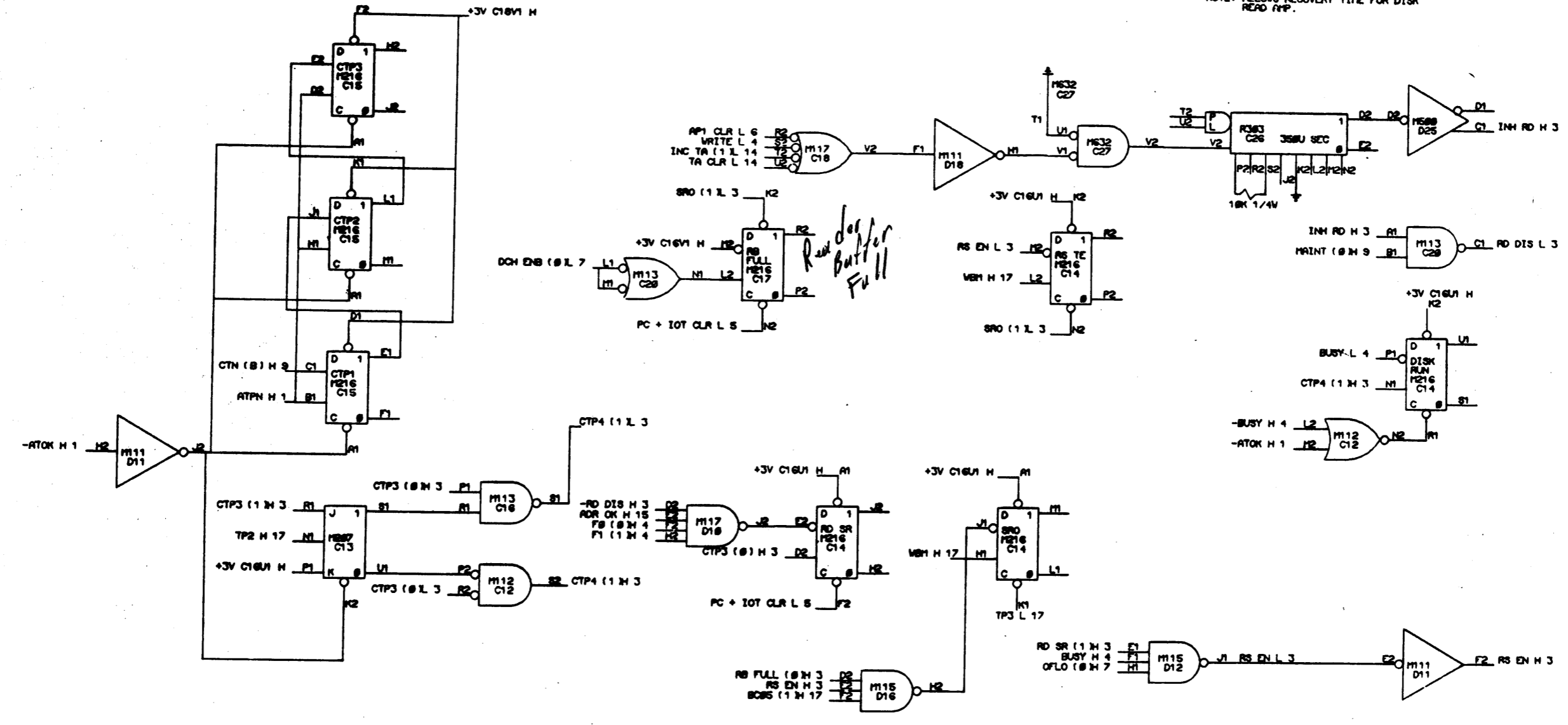
See drawing and specifications, herein, for the proper use of all electrical components. Do not use any electrical component which is obsolete or in short supply. Do not use any electrical component unless the manufacturer's name is clearly shown on the component.

CHG.	CHANGE NO.	REAS.
AC	RF15-00001	A
	R SOFKA 5/27/70	
	D VONADA 6/9/70	
GH	RF15-00005	B
	K COTE 7/8/70	
	D VONADA 7/10/70	
JJ	RF15-00010	C
	W. Apperson 8-24-70	
	F. B. V. 9-25-70	

J. F. PASHAUER	11/29/69	EQUIPMENT CORPORATION PASCADALE, MISSOURI 64080	
M. B. REULT	11/29/69		
E. R. KING	12/1/69		
D. VONADA	12/1/69		
C. T. WALKINS	12/2/69		
RF15	B C D T T ERR DET AND REGEN		
SCALE	D 85	RF15-0-82	C
SHEET	OF	SUB.	

REVISIONS

NOTE: ALLOWS RECOVERY TIME FOR DISK READ APP.

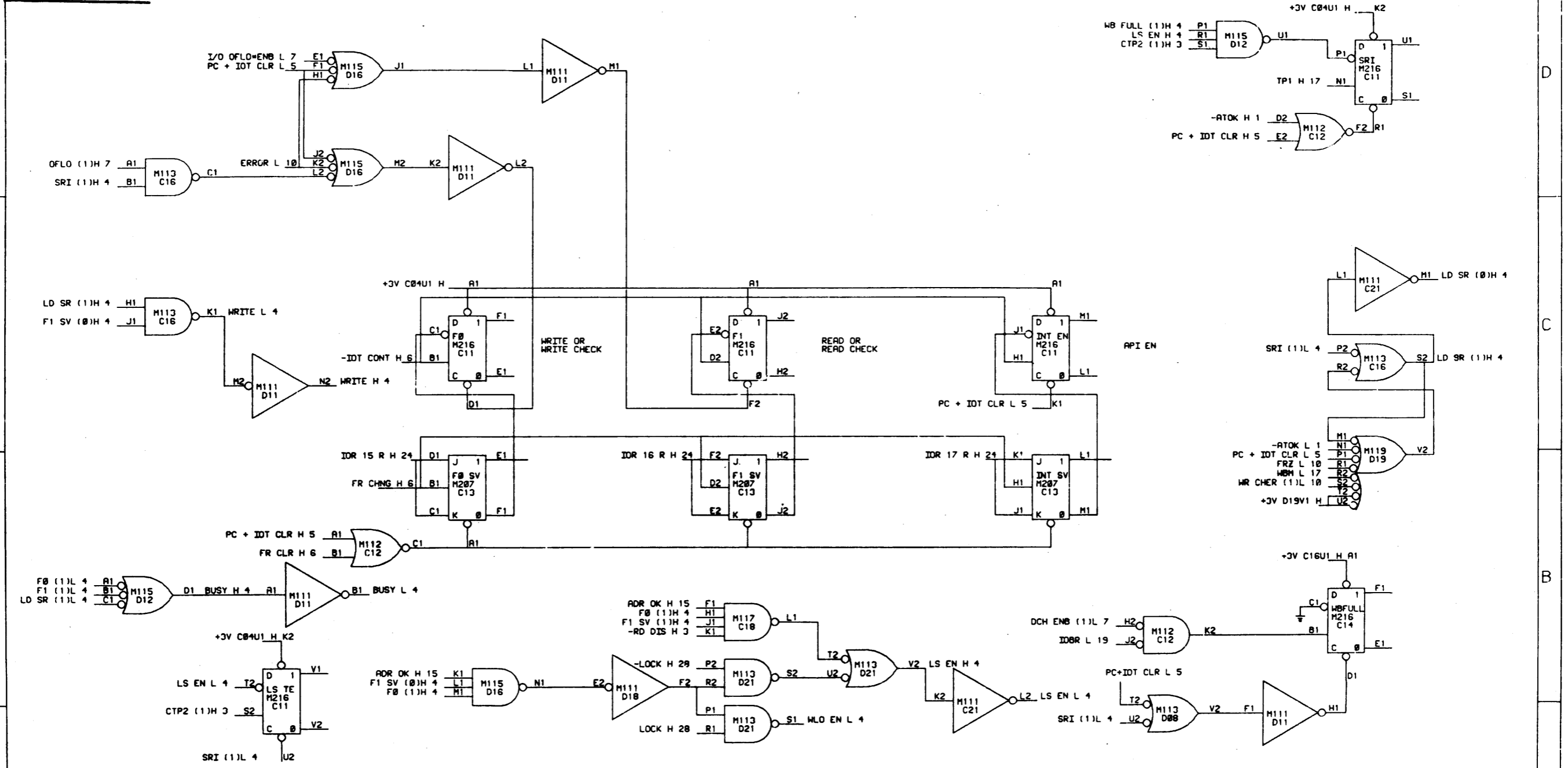


*Read Buffer Full*

CHK	DATE	BY	REV	REVISIONS
AC	11/29/79	A	1	RF75-00217 F
AR	11/29/79	A	2	RF75-00217 F
D	11/29/79	D	3	RF75-00217 F
GN	11/29/79	GN	4	RF75-00217 F
K	11/29/79	K	5	RF75-00217 F
D	11/29/79	D	6	RF75-00217 F
GH	11/29/79	GH	7	RF75-00217 F
K	11/29/79	K	8	RF75-00217 F
D	11/29/79	D	9	RF75-00217 F
GH	11/29/79	GH	10	RF75-00217 F
N	11/29/79	N	11	RF75-00217 F
D	11/29/79	D	12	RF75-00217 F

DATE	BY	REV	TITLE
11/29/79	J. FASHAUER	1	RF75 CONTROL 1
11/29/79	N. FERRALL	2	RF75 CONTROL 1
12/1/79	E. KING	3	RF75 CONTROL 1
12/1/79	D. VONDRADA	4	RF75 CONTROL 1
12/2/79	C. TOMPKINS	5	RF75 CONTROL 1

This drawing and specifications, however, are the property of Digital Equipment Corporation and shall not be reproduced, in whole or in part, or by any means, without the written consent of Digital Equipment Corporation.



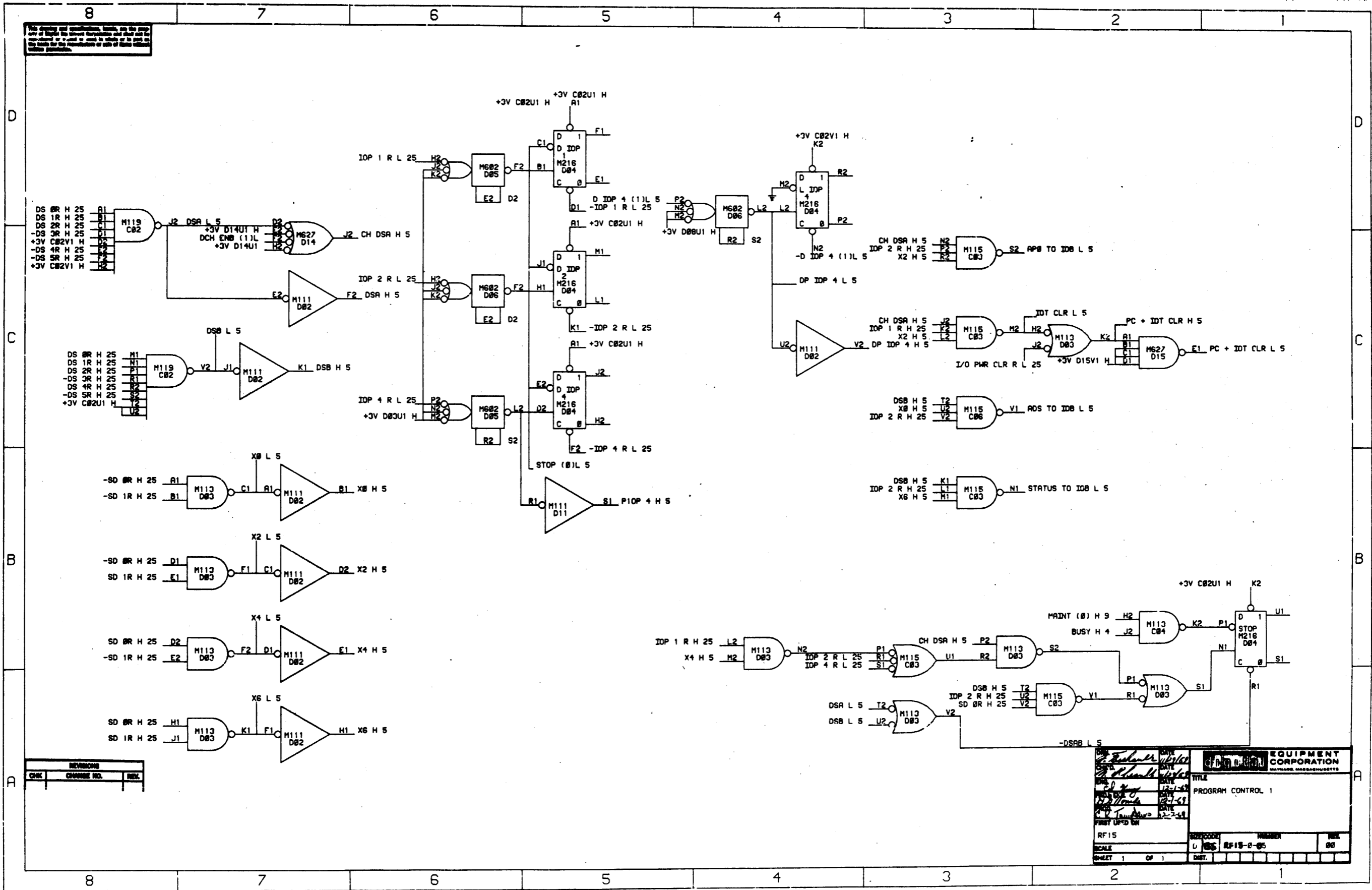
REVISIONS		
CHK	CHANGE NO.	REL.
AJC	RF15-00001	A
	6-9-70	

DATE	BY	REVISION	TITLE
11/29/69	J. FRASSHAUER	1	RF15 CONTROL 2
12/29/69	N. RHEAULT	2	
12/1/69	E. KING	3	
12/1/69	D. VONNOR	4	
12/2/69	C. TOMPKINS	5	

FIRST USED ON	RF15	NUMBER	RF15-0-0001	REV.	A
SCALE	D 5S				
SHEET	1	OF	1	DIST.	

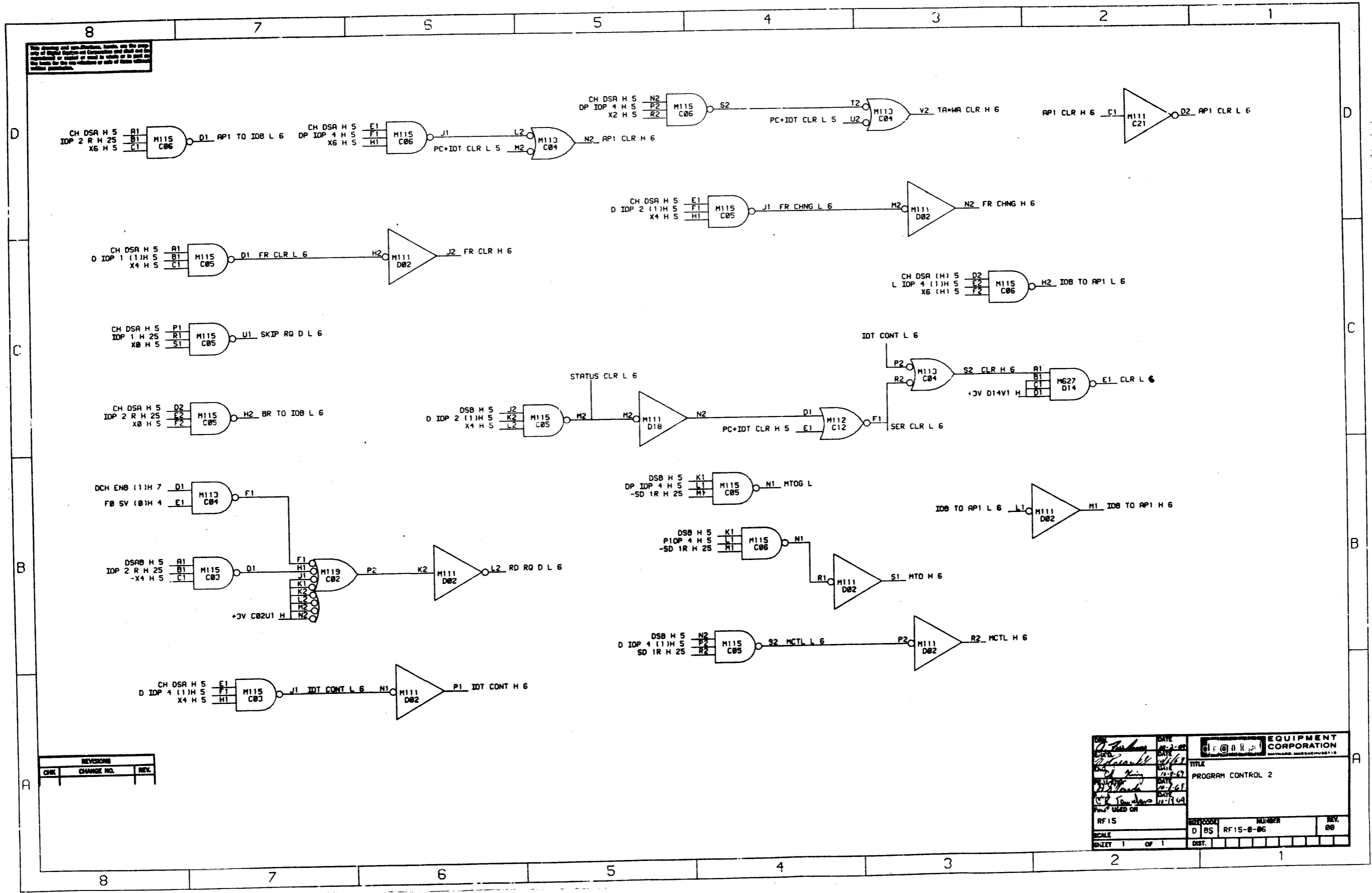
This drawing and specifications herein are the property of the General Electric Company and shall not be reproduced, in whole or in part, or by any means, without the written permission of the General Electric Company.



REVISIONS		
CHK	CHANGE NO.	REV.

DATE: 12-7-59 DRAWN BY: [Signature] CHECKED BY: [Signature] FIRST UP'D ON: 12-2-59		<b>EQUIPMENT CORPORATION</b> WATSON, MASSACHUSETTS	
TITLE: PROGRAM CONTROL 1		SCALE: RF15 SHEET 1 OF 1	

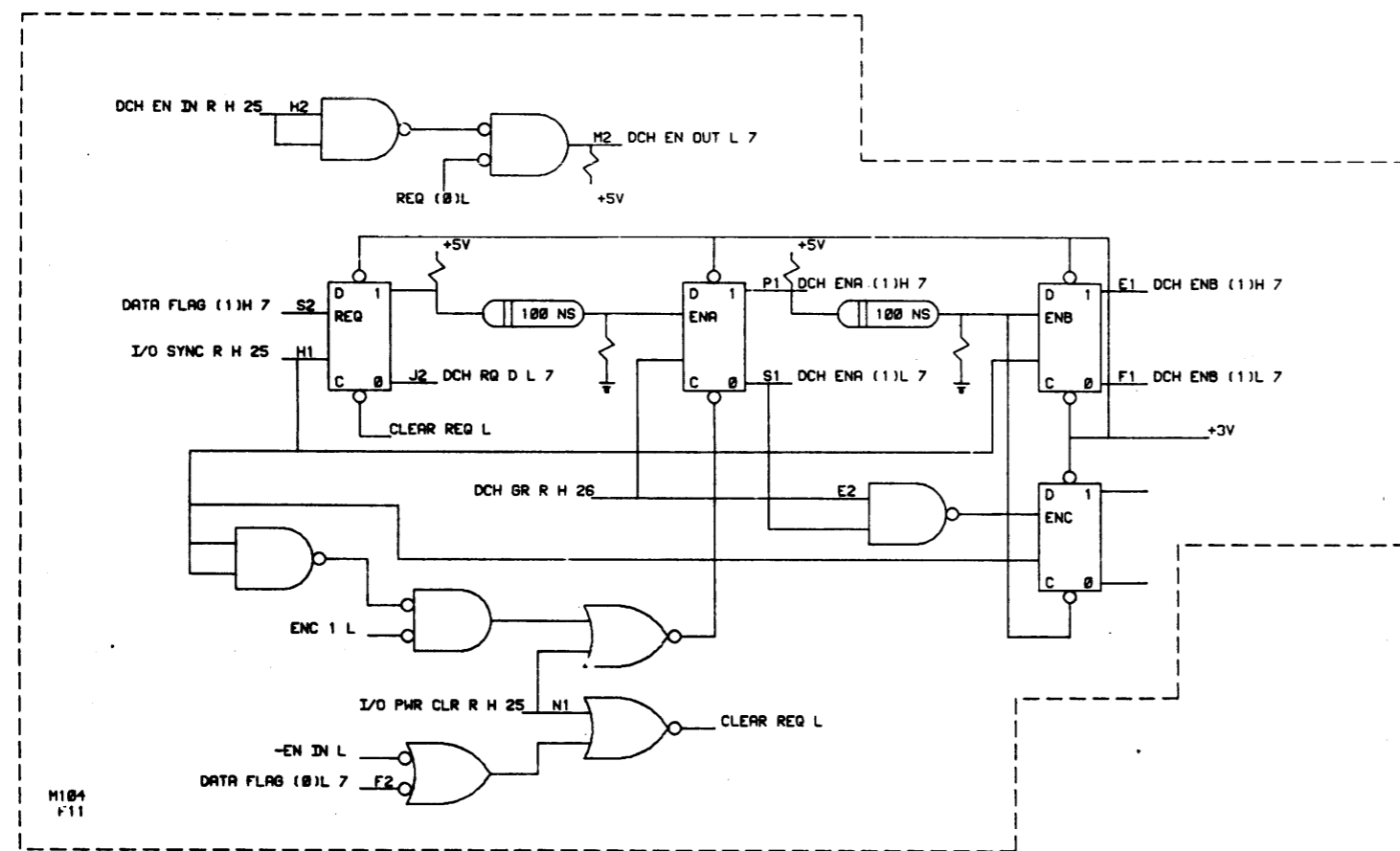
This drawing and specifications, herein, are the property of Equipment Corporation and shall not be reproduced or copied or used in whole or in part without the written consent of Equipment Corporation.



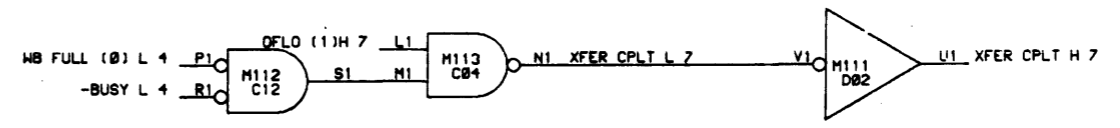
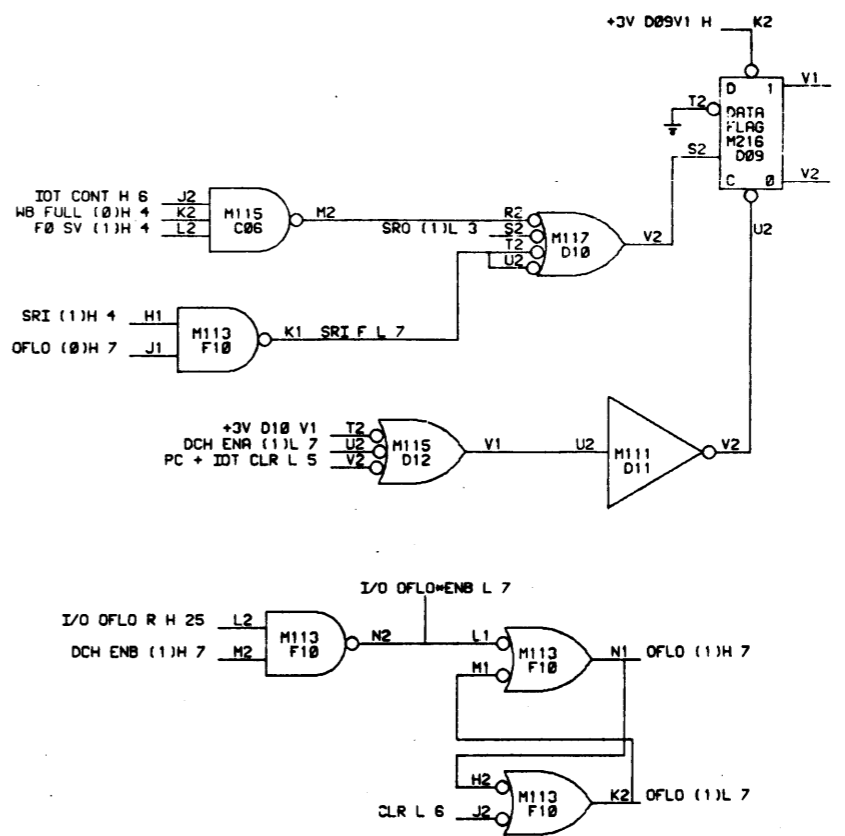
REVISIONS		
CHK	CHANGE NO.	REV.

DATE	DATE	EQUIPMENT CORPORATION
DATE	DATE	
TITLE	PROGRAM CONTROL 2	
SCALE	SIZE CODE	NUMBER
SHEET 1 OF 1	D BS	RF15-B-06
	DIST.	REV. 00

This drawing and specifications herein are the property of Hughes Equipment Corporation and shall not be reproduced or copied or used in whole or in part for any purpose other than that for which they were prepared without the written permission of Hughes Equipment Corporation.



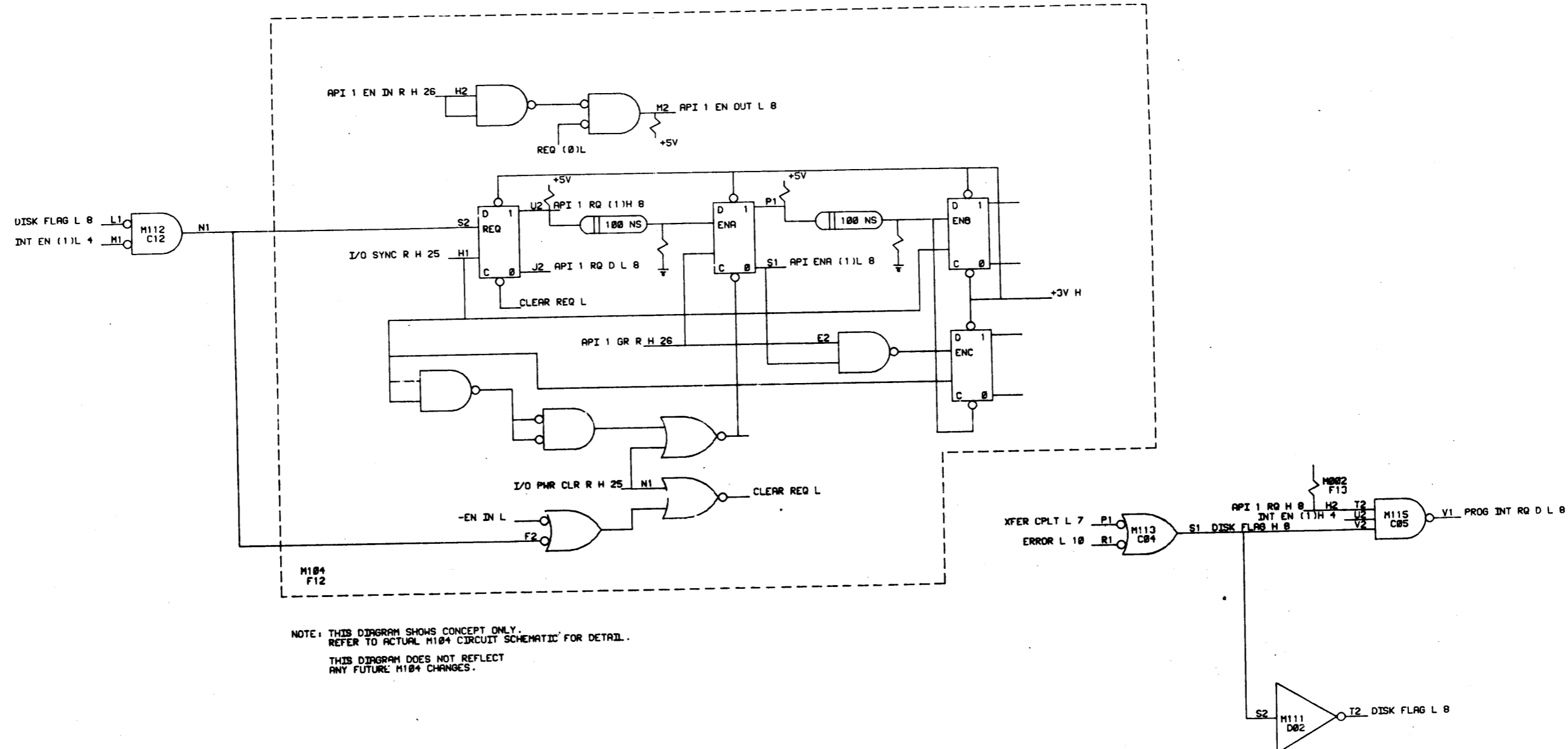
NOTE: THIS DIAGRAM SHOWS CONCEPT ONLY.  
 REFFR TO ACTUAL M104 CIRCUIT SCHEMATIC FOR DETAILS.  
 THIS DIAGRAM DOES NOT REFLECT ANY  
 FUTURE M104 CHANGES.



REVISIONS		
CHK	CHANGE NO.	REV.
GH	RF15-22289	A
K HALSH	9/4/78	
D VONDR	9/8/78	
RF15-22289		B
K HALSH	9/4/78	
D VONDR	9/8/78	
RF15-22289		C
16	10/10/78	
18	10/10/78	

DATE	11-29-79	EQUIPMENT CORPORATION MAYNARD MASSACHUSETTS
BY	J FRSSHUJER	
DATE	11-29-79	DCH CONTROL
BY	N REVAULT	
DATE	12-1-78	RF15-2-07
BY	EDWARD KING	
DATE	12-1-78	C
BY	D G VONDR	
DATE	12-2-78	RF15-2-07
BY	F TOMPKINS	
DATE	12-2-78	C
BY	F TOMPKINS	
SCALE	D 1/8"	REV.
SHEET	1 OF 1	DIST.

This drawing and specifications herein are the property of Digital Equipment Corporation and shall not be reproduced or copied or used in whole or in part or in any form for the manufacture or sale of similar articles without permission.



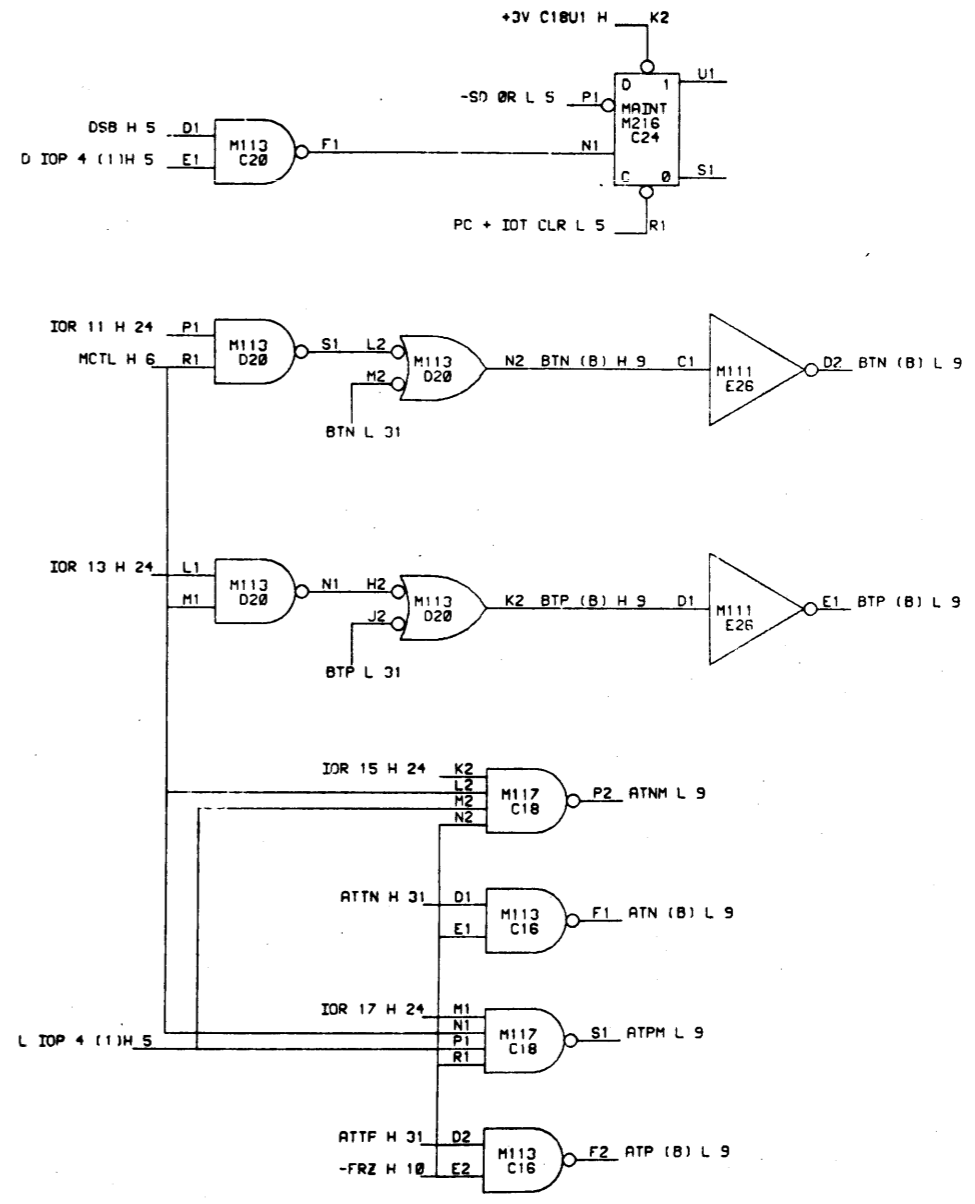
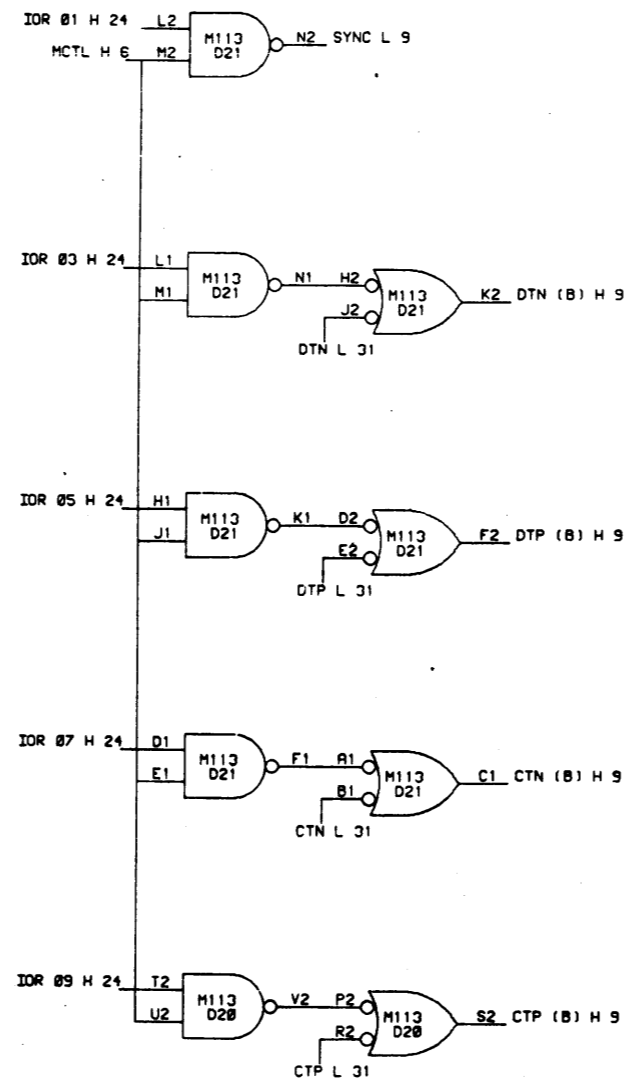
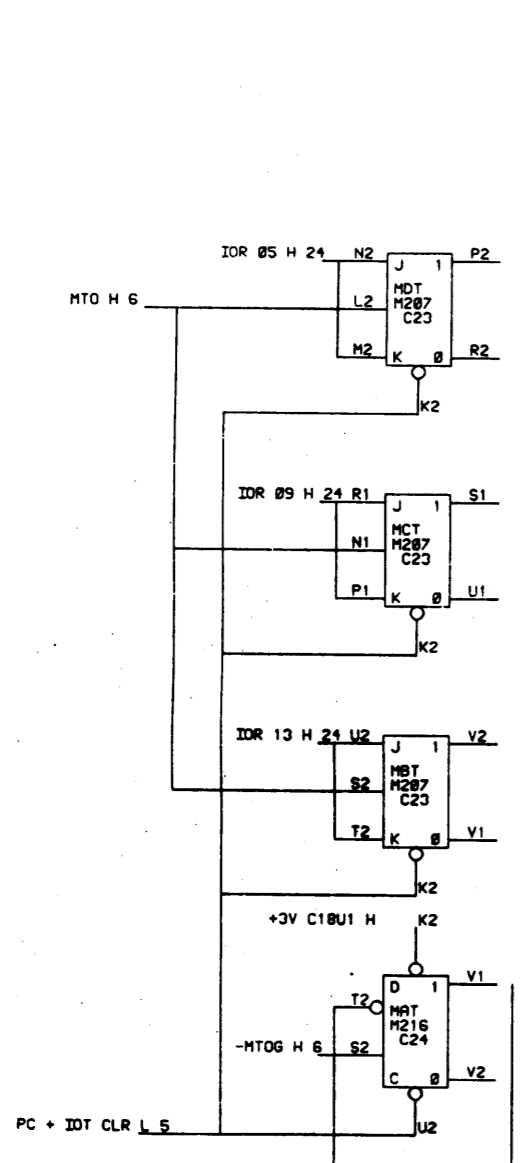
NOTE: THIS DIAGRAM SHOWS CONCEPT ONLY.  
REFER TO ACTUAL M104 CIRCUIT SCHEMATIC FOR DETAIL.  
THIS DIAGRAM DOES NOT REFLECT  
ANY FUTURE M104 CHANGES.

REVISIONS		
CHK	CHANGE NO.	REV.
B.H.	RF 15-00009	A
K	HALSH 9/4/78	
D	VONADA 9/8/78	
A.N.	RF 15-00011	B
	10/15/78	
	10/20/78	
	10/25/78	
	11/1/78	
	11/15/78	
	11/20/78	
	11/25/78	
	12/1/78	
	12/15/78	
	12/20/78	
	12/25/78	

DRN	J. FASCHAUER	DATE	11-29-69	 <b>DIGITAL EQUIPMENT CORPORATION</b> MAYNARD, MASSACHUSETTS	
CHK	R. RHEULT	DATE	11-29-69		
ENGR	EDWARD KING	DATE	12-1-69		
PROJ ENGR	D. G. VONADA	DATE	12-1-69		
PROJ	E. TONPKINS	DATE	12-2-69	TITLE	API CONTROL
FIRST USED ON	RF 15	SIZE	D 85	NUMBER	RF 15-0-00
SCALE		SHEET	1	OF	1
		DIST.			



This drawing and associated documents are the property of the U.S. Government and are loaned to your organization or individual for use in connection with the performance of your duties. It and its contents are not to be distributed outside your organization.



REV	DESCRIPTION	DATE
1	RF15-00010 A	11/29/69
2	2180 pages 1/4/24/70	
3	25 2/1/69	

REV	DESCRIPTION	DATE
1	RF15-00010 A	11/29/69
2	2180 pages 1/4/24/70	
3	25 2/1/69	

DESIGNED BY	J. FASSHAUR	DATE	11/29/69
DRAWN BY	N. RHEAULT	DATE	11/29/69
CHECKED BY	L. KING	DATE	12/1/69
APPROVED BY	D. WOODR	DATE	12/1/69
TESTED BY	C. TOMPKINS	DATE	12/1/69

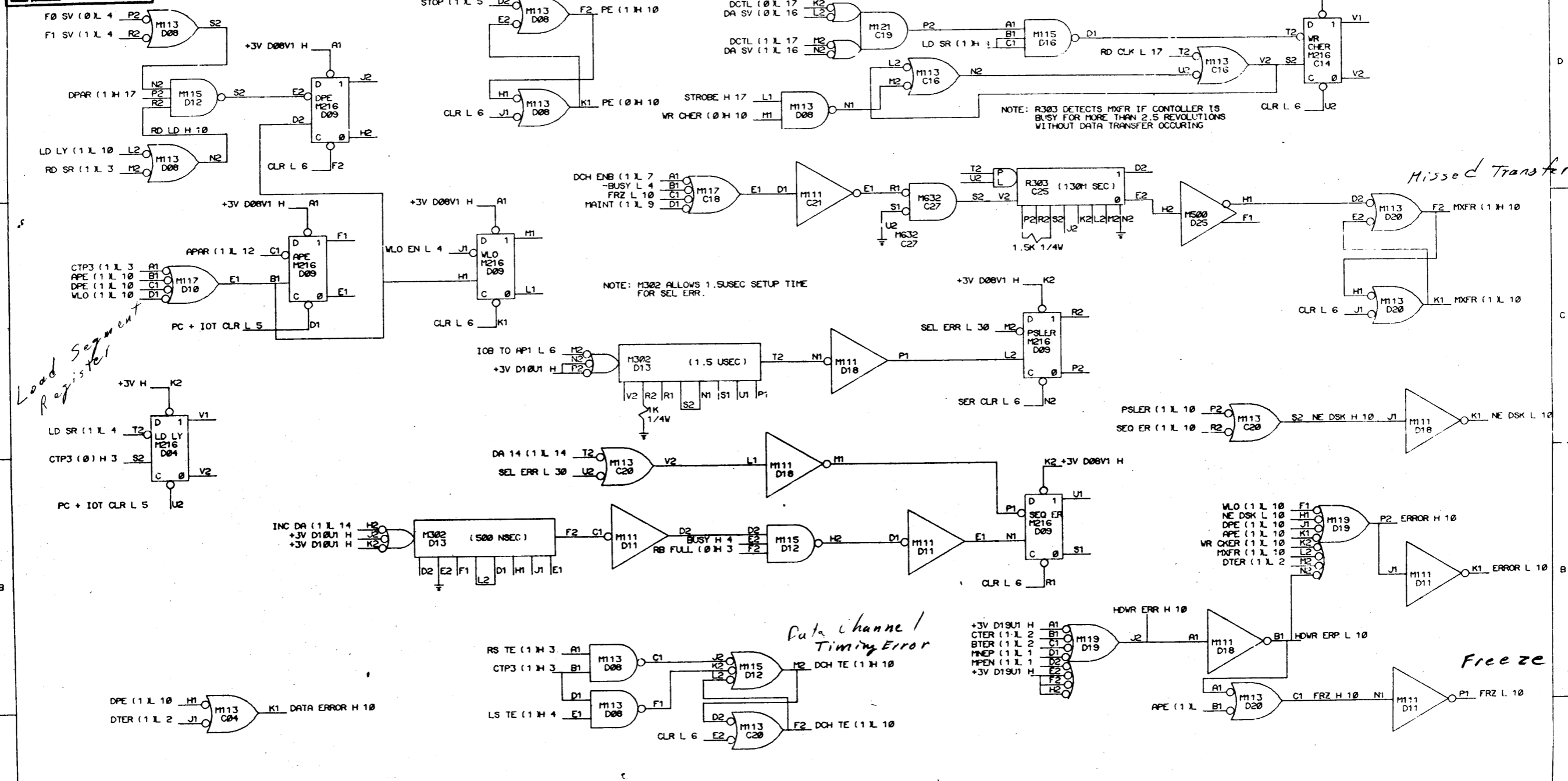
  

PROJECT USED ON	RF15
SCALE	D 85
SHEET	OF 1

MANUFACTURED BY	EQUIPMENT CORPORATION
MODEL NO.	RF15-0-09
REV.	A

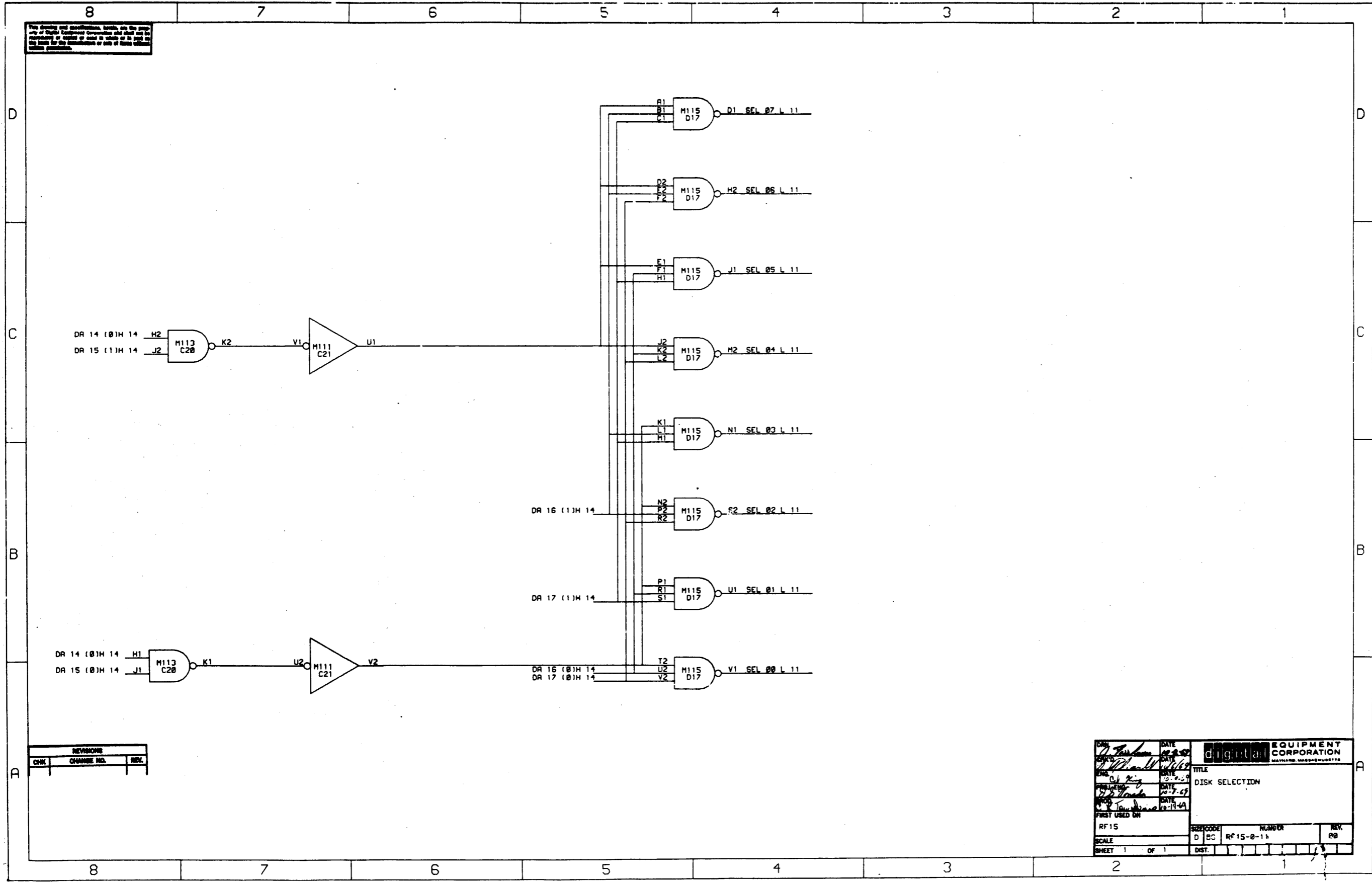
This drawing and specifications, taken as the property of Digital Equipment Corporation and shall not be reproduced or distributed in whole or in part, or the basis for the manufacture of any of these items without the written permission.



REVISIONS		
CHK	CHANGE NO.	REV.
AC	RF15-00001	A
R	SOFKA 5/27/70	
D	VONADA 6/9/70	
GH	RF15-00006	B
K	COTE 7/8/70	
D	VONADA 7/10/70	
G.H.	RF15-00010	C
N	LEGERE 9/24/70	
D	G. VONADA 9/25/70	
K.F.	RF15-00016	D
K.	FRANK 12/21/71	
J.	FRANK 1/11/72	

DATE	11/29/69	DIGITAL EQUIPMENT CORPORATION MAYNARD, MASSACHUSETTS		
DESIGNER	N. REAULT			
DATE	11/29/69	STATUS REGISTER		
DESIGNER	E. KING			
DATE	12/1/69	STATUS REGISTER		
DESIGNER	D. VONADA			
DATE	12/1/69	STATUS REGISTER		
DESIGNER	C. TOMPKINS			
FIRST USED ON	RF15	SIZE CODE	NUMBER	REV.
	D 50		RF15-0-10	D
SHEET	1 OF 1	DIST.		

This drawing and specifications, herein, are the property of Digital Equipment Corporation and shall not be reproduced in any form or used in whole or in part for any purpose other than that for which they were prepared.



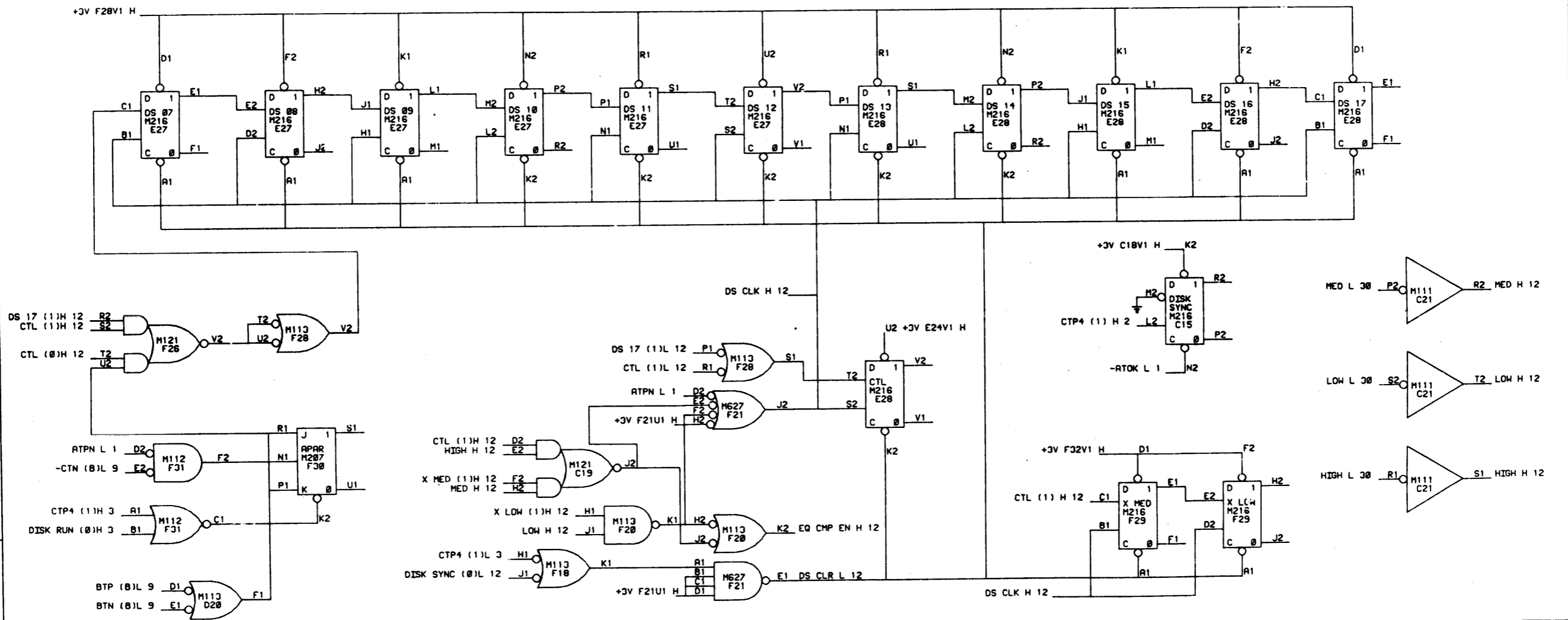
REVISIONS		
CHK	CHANGE NO.	REL.

DATE	10-2-69	digital EQUIPMENT CORPORATION MAYNARD, MASSACHUSETTS
DATE	10-7-69	
DATE	10-13-69	TITLE
DATE	10-13-69	DISK SELECTION
DATE	10-13-69	
DATE	10-13-69	
FIRST USED ON		
RF 15		
SCALE		
SHEET 1 OF 1	DIST.	

This drawing and specifications herein are the property of Digital Equipment Corporation and shall not be reproduced, stored in a retrieval system, or transmitted in any form or by any means, electronic, mechanical, photocopying, recording, or by any information storage and retrieval system, without the prior written permission of Digital Equipment Corporation.

NOTE: ITL=

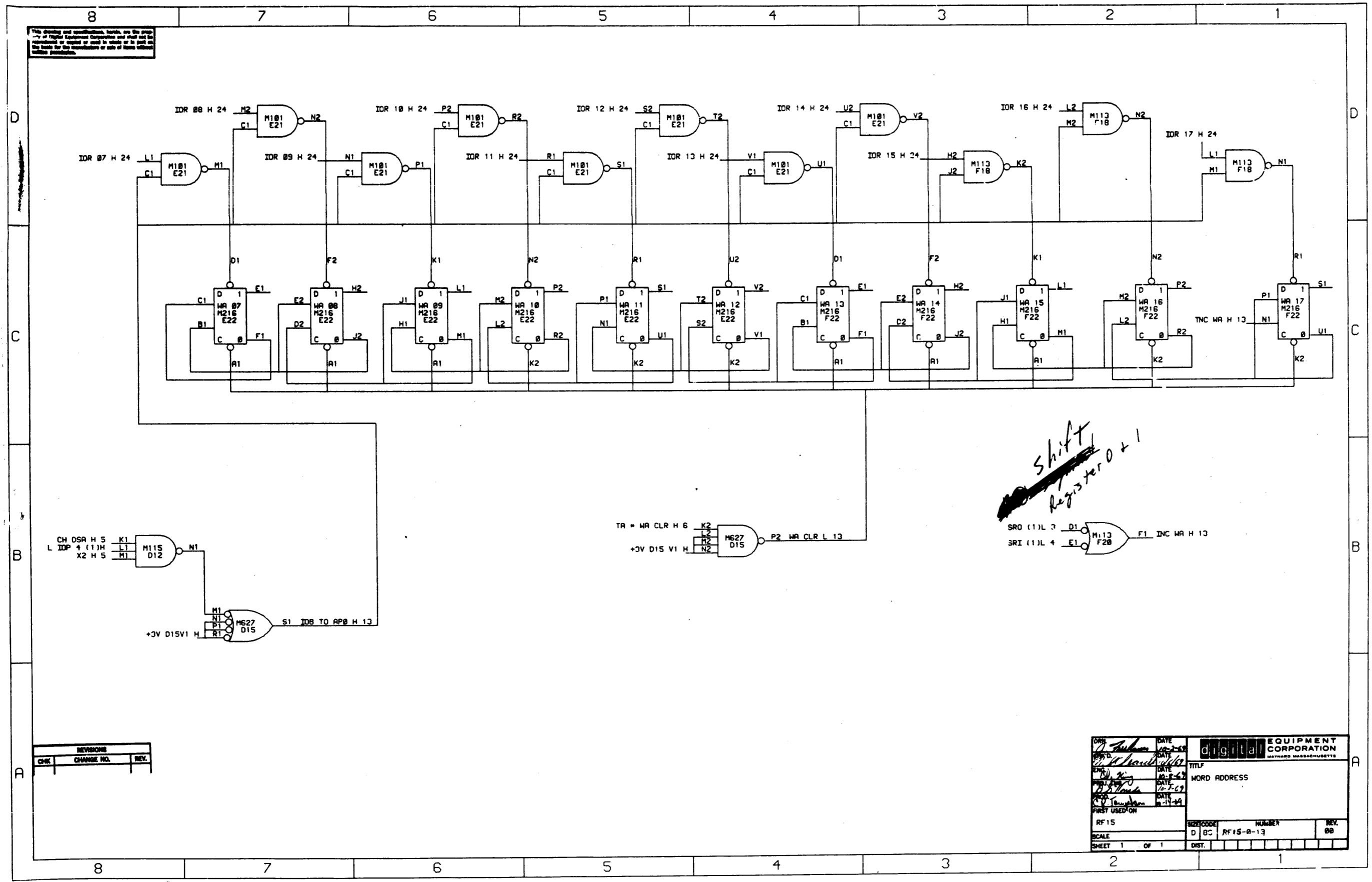
	HIGH	MED	LOW
0000	0000	0000	0000
0001	2000	1000	0000
0002	0001	2000	0000
0003	2001	3000	0000
0004	0002	0001	0000
0005	2002	1001	0000
0006	0003	2001	0000
0007	2003	3001	0000
0010	0004	0002	0000



REVISIONS		
CHK	CHANGE NO.	REV.
A/C	RE15-00001	A
	6-9-70	

DESIGNER J. FASSHAUER	DATE 11/29/68	DIGITAL EQUIPMENT CORPORATION MAYFELD, MASSACHUSETTS
CHECKED N. RHEAULT	DATE 11/29/68	
DESIGNED E. KING	DATE 12/1/68	TITLE DISK SEGMENT
DRAWN D. VONRODA	DATE 12/1/68	
TESTED C. TOMPKINS	DATE 12/2/68	
FIRST USED ON		
RF15	PROJECT CODE D BS	NUMBER RF15-0-12
SCALE		REV. A
SHEET 1 OF 1	DIST.	

This drawing and construction herein are the property of Digital Equipment Corporation and shall not be reproduced or copied in whole or in part for any other purpose without the written permission of Digital Equipment Corporation.

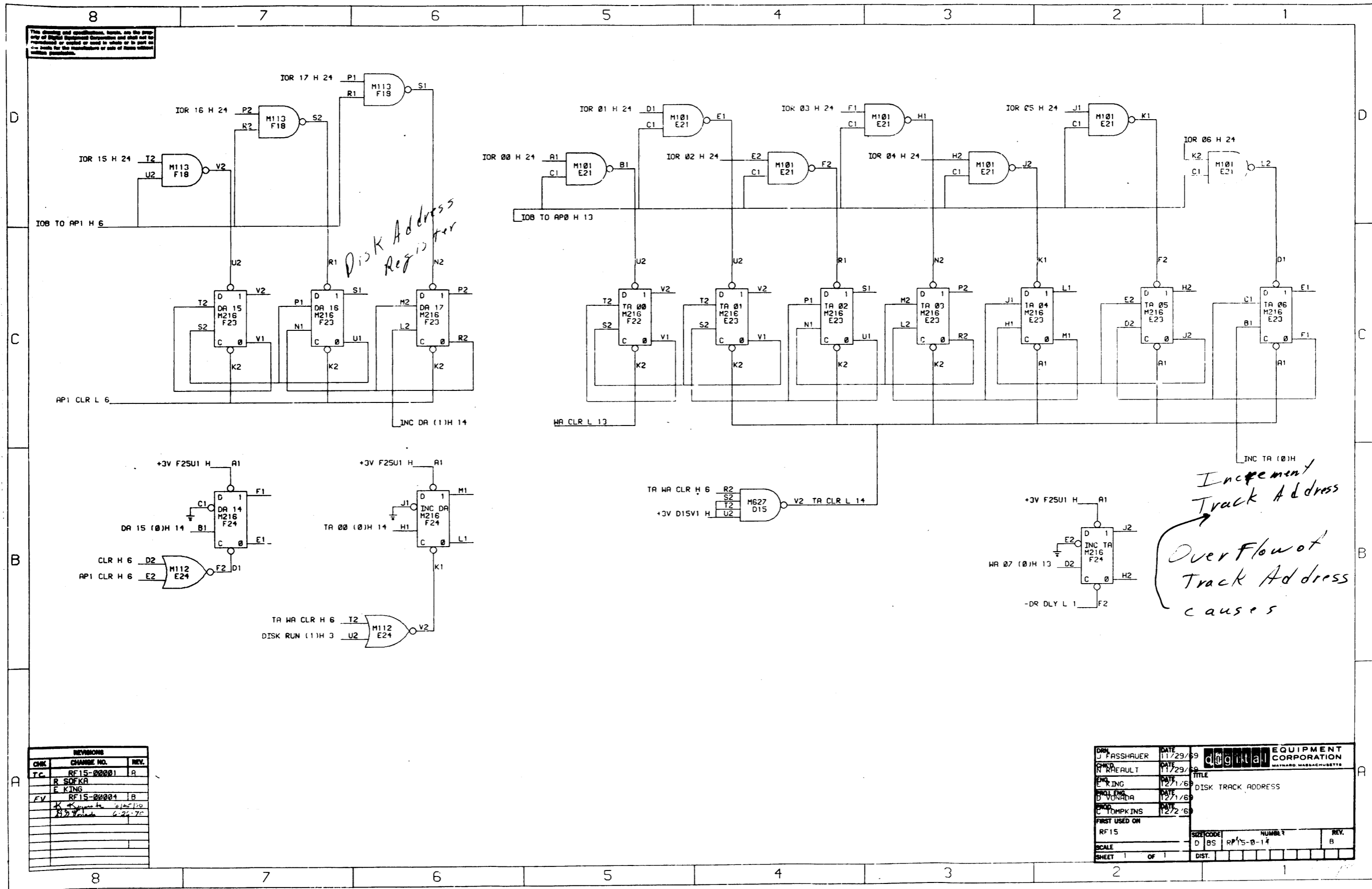


*Shift Register 0 + 1*

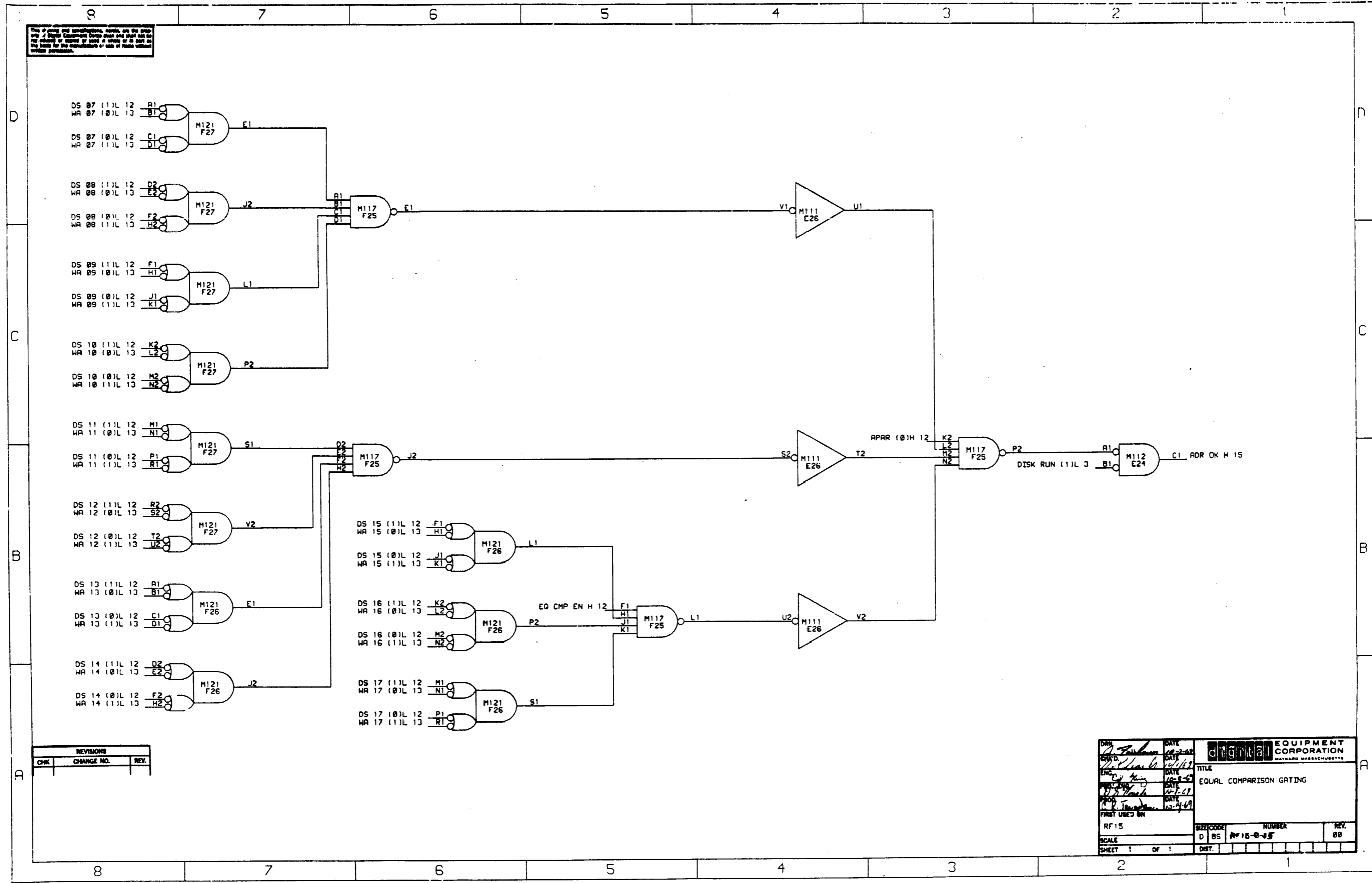
REVISIONS		
CHK	CHANGE NO.	REV.

DESIGNED BY <i>D. Johnson</i>	DATE <i>10-2-68</i>	digital EQUIPMENT CORPORATION MAYNARD, MASSACHUSETTS
DRAWN BY <i>D. Johnson</i>	DATE <i>10-2-68</i>	
CHECKED BY <i>D. Johnson</i>	DATE <i>10-2-68</i>	TITLE WORD ADDRESS
APPROVED BY <i>D. Johnson</i>	DATE <i>10-11-68</i>	SCALE D BC
FIRST USED ON RF15	SIZE CODE D BC	NUMBER RF15-0-13
SHEET 1 OF 1	DIST.	REV. 00

This drawing and specifications, herein, are the property of Digital Equipment Corporation and shall not be reproduced or copied or used in whole or in part, or for any other purpose without the written permission of Digital Equipment Corporation.



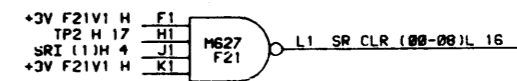
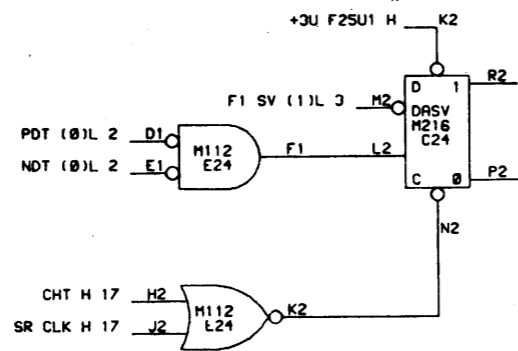
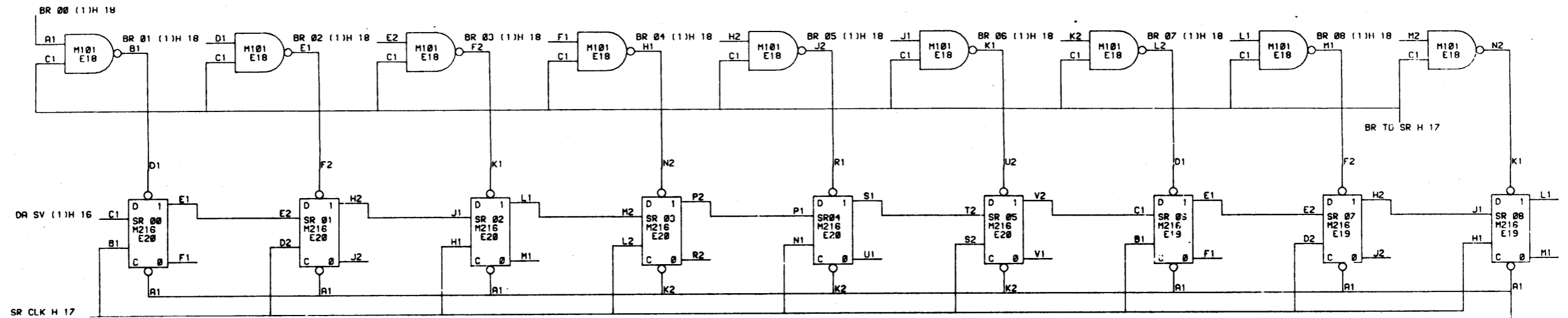
This drawing and construction, herein, are the property of Digital Equipment Corporation and shall not be reproduced or copied in whole or in part without the written permission of the manufacturer of said items without written permission.



REVISIONS		
CHK	CHANGE NO.	REV.

DATE	DATE	original	EQUIPMENT CORPORATION MAYNARD, MASSACHUSETTS
DESIGNED	DATE		
ENGR.	DATE	TITLE	
TEST ENG.	DATE	EQUAL COMPARISON GATING	
PROD. ENGINEER	DATE		
FIRST USED ON			
RF 15		SIZE CODE	NUMBER
SCALE		D BS	# 15-0-55
SHEET 1 OF 1		DIST.	REV. 00

This drawing and specifications herein are the property of Digital Equipment Corporation and shall not be reproduced or used in whole or in part for any purpose other than that for which they were prepared.

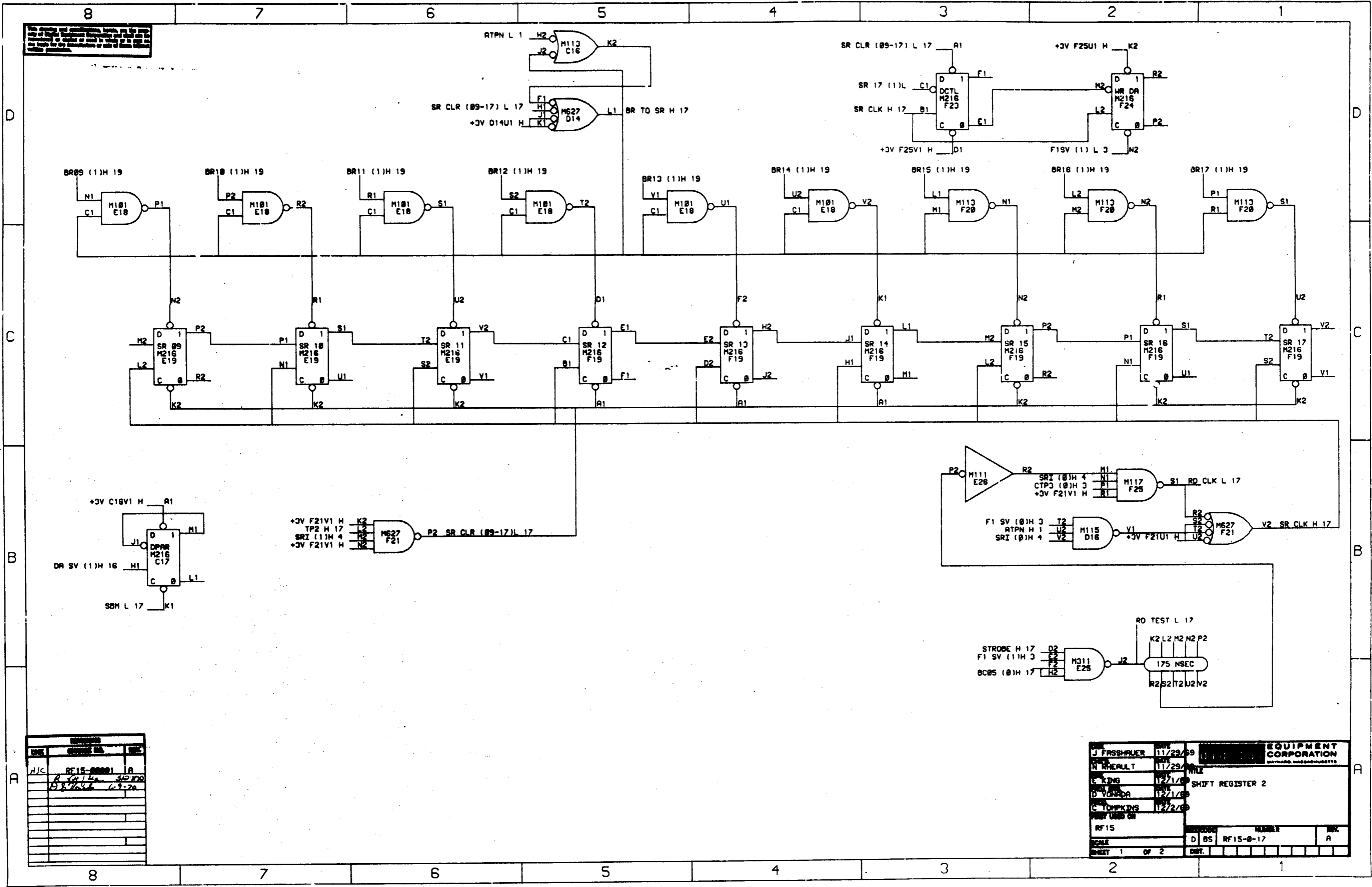


REVISIONS		
CHK	CHANGE NO.	REASON
	1	REVISION
	2	REVISION
	3	REVISION
	4	REVISION
	5	REVISION
	6	REVISION
	7	REVISION
	8	REVISION

J. FASSHAUER	DATE	11/29/69	 <b>DIGITAL EQUIPMENT CORPORATION</b> <small>MAYNARD, MASSACHUSETTS</small>
N. RHEAULT	DATE	11/29/69	
E. KING	DATE	12/1/69	
D. VONRADA	DATE	12/1/69	
C. TOPPKINS	DATE	12/14/69	
FIRST USED ON			
RF15	REV. NO.	1	REV.
SCALE	DIST.	RF15-0-16	A
SHEET	OF	DIST.	



The drawing and specifications herein are the property of Equipment Corporation and are not to be reproduced in whole or in part without the written permission of Equipment Corporation.



REV	CHANGE	DATE
A/C	RF15-00001	A
	R 4/1/68	5/27/70
	15 8/26/68	6-9-70

DATE	BY	REVISION
11/29/69	J. FRASSHAUER	1
11/29/69	N. REALLT	2
12/1/69	E. KING	3
12/1/69	D. VONDR	4
12/2/69	G. TOMPKINS	5

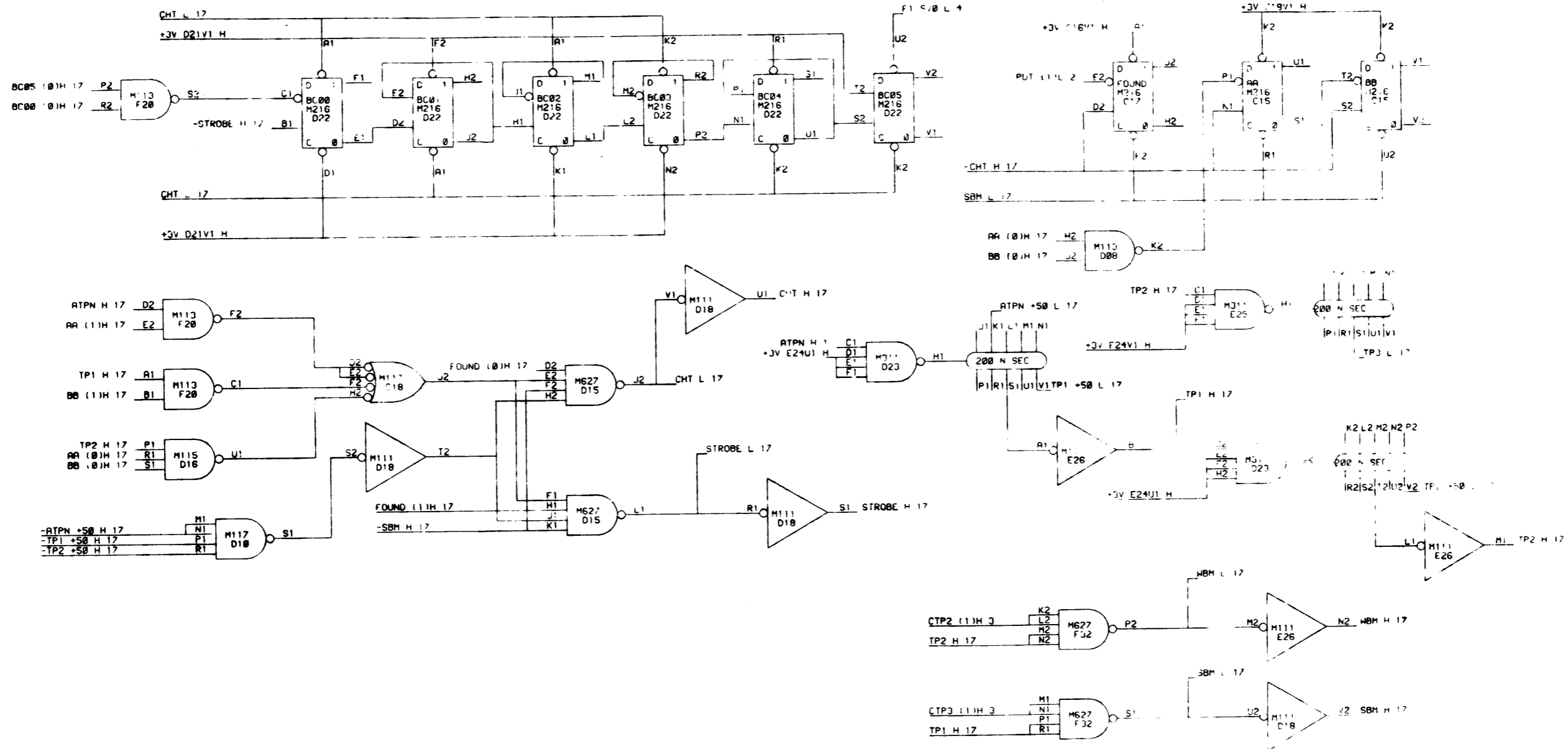
**EQUIPMENT CORPORATION**  
MAYFIELD, MASSACHUSETTS

SHIFT REGISTER 2

RF15	REVISION	NUMBER	REV.
D BS	RF15-0-17	A	

SCALE: 1 OF 2 SHEET. DATE: \_\_\_\_\_

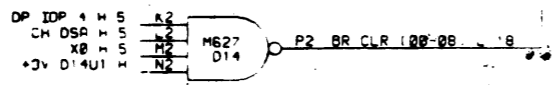
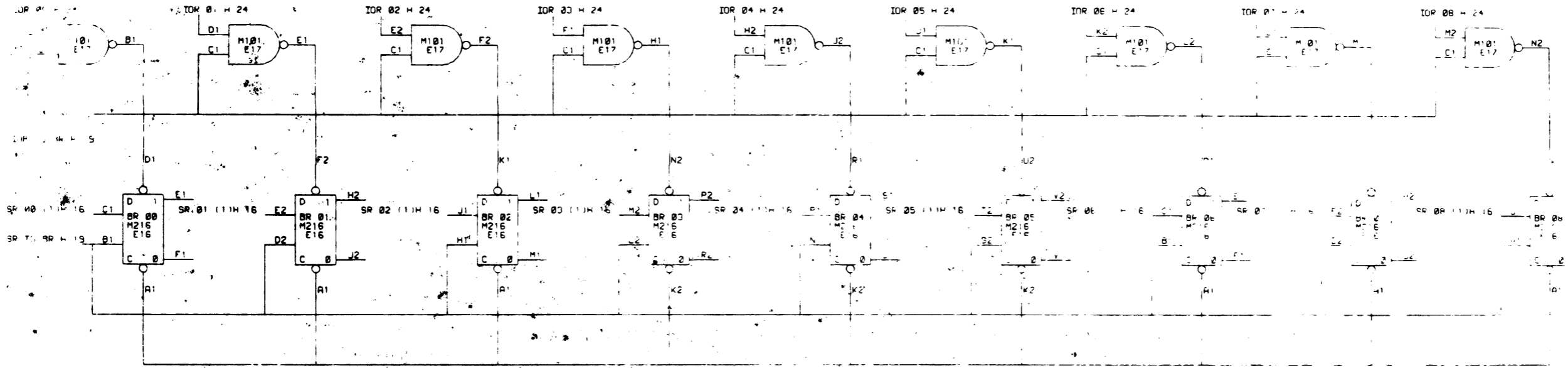
This drawing and specifications, taken as the property of the Equipment Corporation and shall not be reproduced or copied in whole or in part for the manufacture of any of these units without permission.



REV.	CHANGE NO.	REASON
1	RF15-00001	A
2	RF15-00001	B
3	RF15-00001	C
4	RF15-00001	D
5	RF15-00001	E
6	RF15-00001	F
7	RF15-00001	G
8	RF15-00001	H
9	RF15-00001	I
10	RF15-00001	J
11	RF15-00001	K
12	RF15-00001	L
13	RF15-00001	M
14	RF15-00001	N
15	RF15-00001	O
16	RF15-00001	P
17	RF15-00001	Q
18	RF15-00001	R
19	RF15-00001	S
20	RF15-00001	T
21	RF15-00001	U
22	RF15-00001	V
23	RF15-00001	W
24	RF15-00001	X
25	RF15-00001	Y
26	RF15-00001	Z

DESIGNED BY	RF15/SB	EQUIPMENT CORPORATION MILWAUKEE, WISCONSIN
DRAWN BY	RF15/SB	
CHECKED BY	RF15/SB	TITLE SHIFT REGISTER 2
DATE	12/1/68	
APPROVED BY	RF15/SB	FIRST USED ON RF15
DATE	12/2/68	
SCALE	D 85	NUMBER RF15-0-17
SHEET	OF 2	REV. A

On drawing and specifications, always use the size of Digital Equipment Corporation and shall not be liable for the consequences of any error or omission.



REVISIONS		
CHK	CHANGE NO.	REV.

DRN	DATE	DIGITAL EQUIPMENT CORPORATION
CH'D	DATE	
ENL	DATE	PROJECT REVISION
PROJ. ENR	DATE	
DRN	DATE	FIRST USED ON
DRN	DATE	
RF	SIZE CODE	NUMBER
SCALE	B	15-0-8
SHEET	CV	15

6

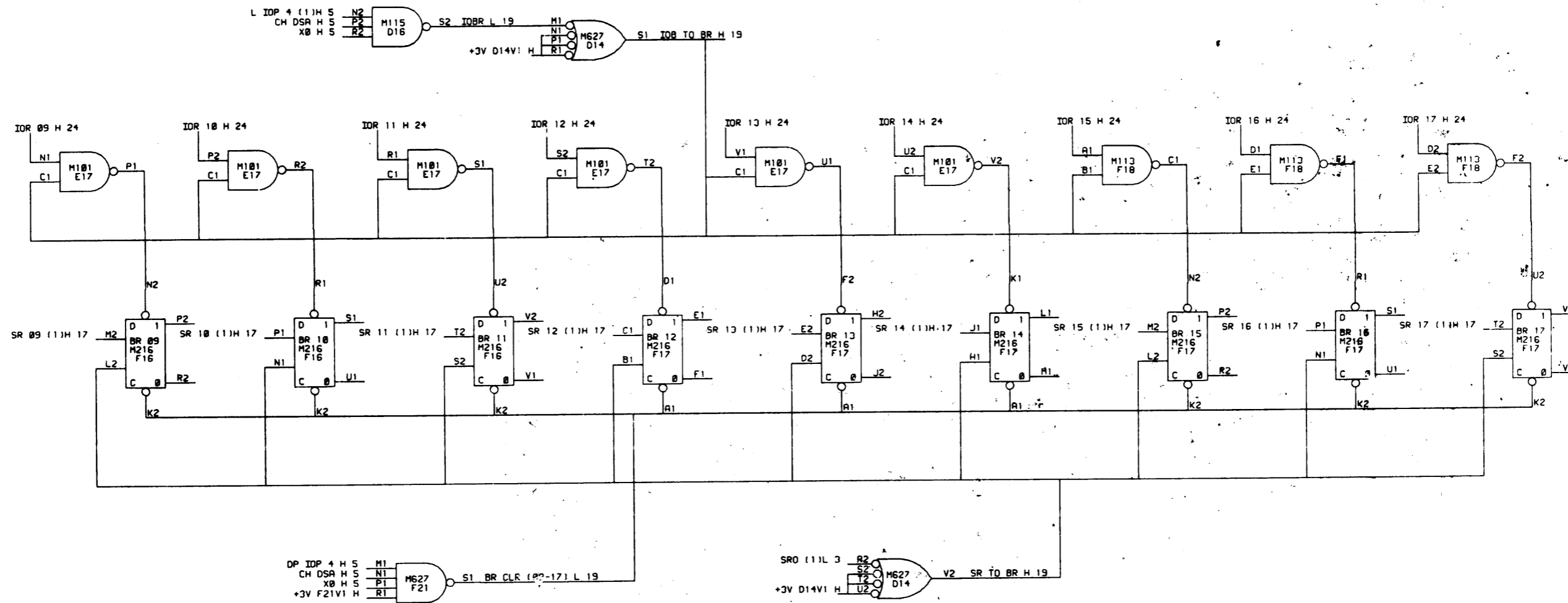
6

5

4

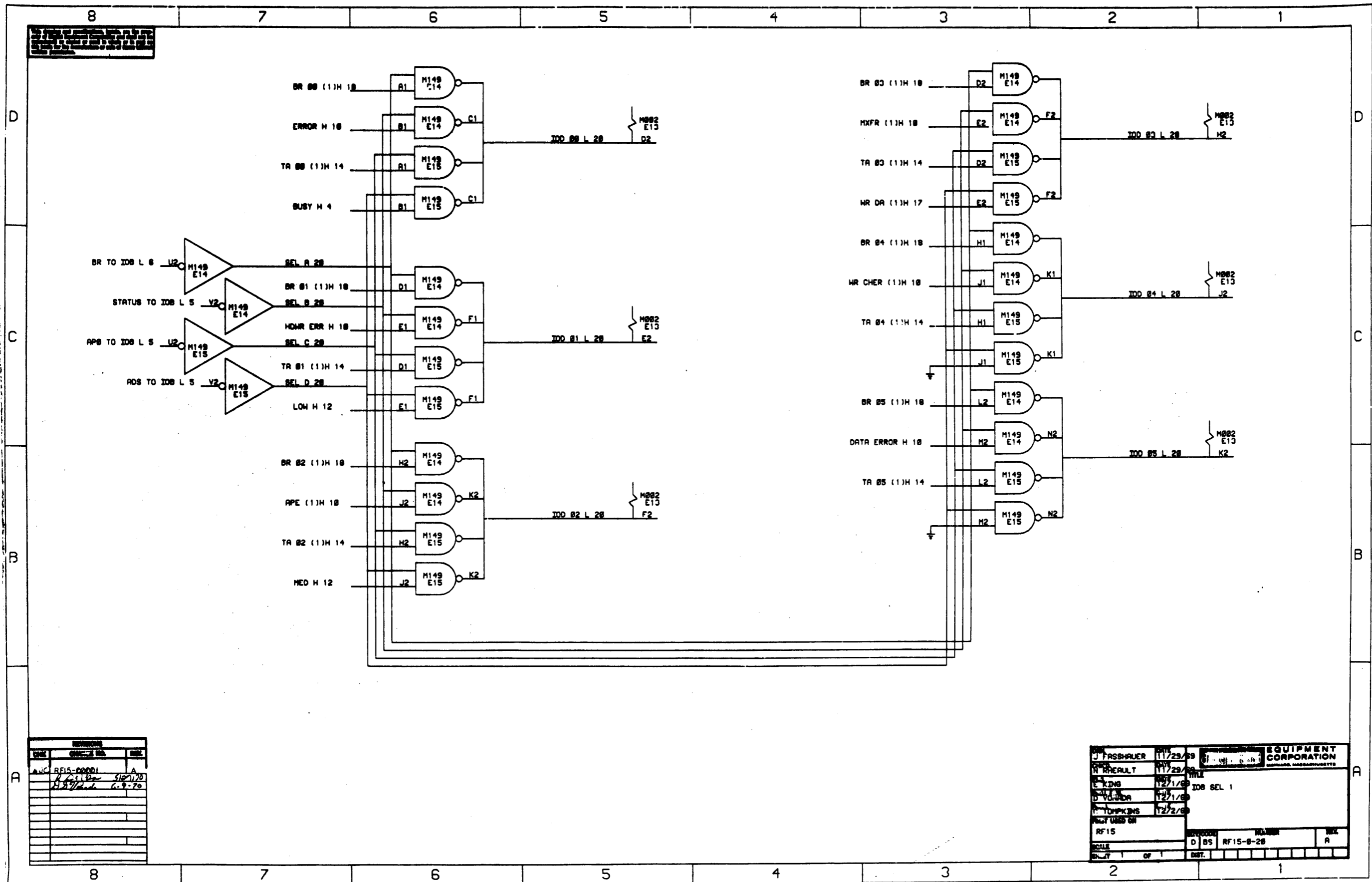
3

This drawing and specifications, herein, are the property of Digital Equipment Corporation and shall not be reproduced or copied in whole or in part for the benefit of the manufacturer or sale of items without written permission.

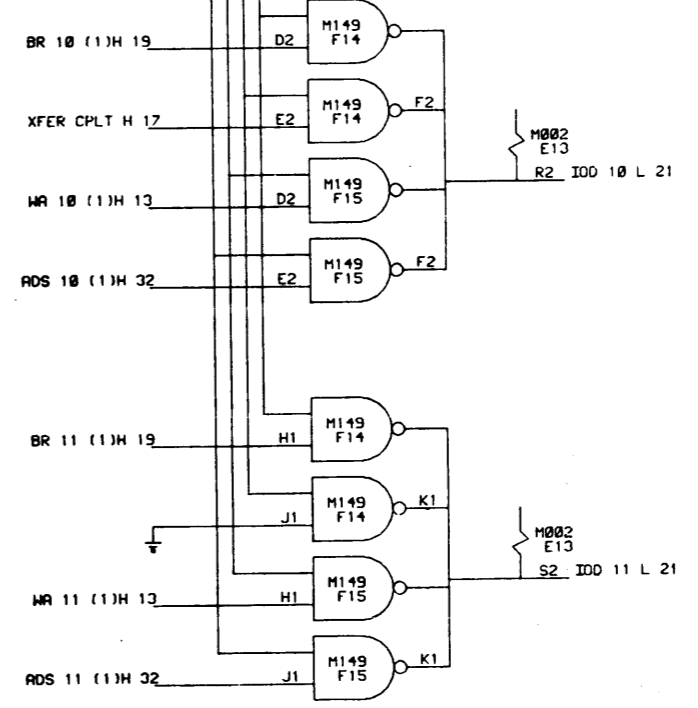
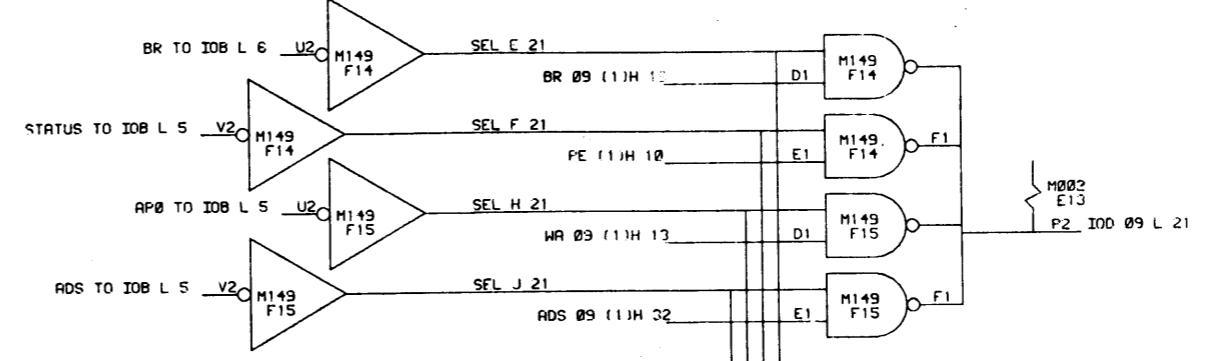
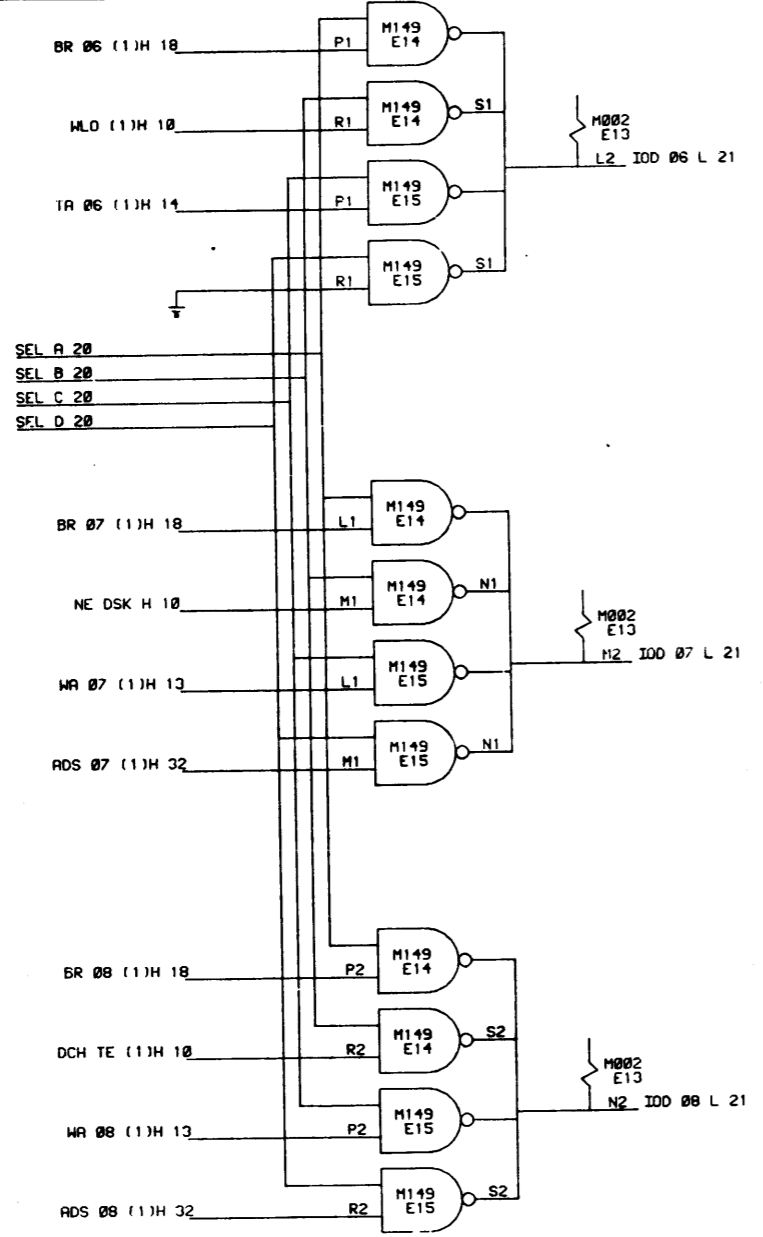


REVISIONS		
CHK	CHANGE NO.	REV.

DATE	10-29	 <b>DIGITAL EQUIPMENT CORPORATION</b> <small>MAYNARD MASSACHUSETTS</small>
DATE	10/18	
DATE	10-15-69	
DATE	10-16-69	
DATE	10-17-69	
TITLE	BUFFER REGISTER 2	
SIZE CODE	D BS	NUMBER
SCALE	1	K 15-0-19
SHEET	1	OF 1
REV.	00	

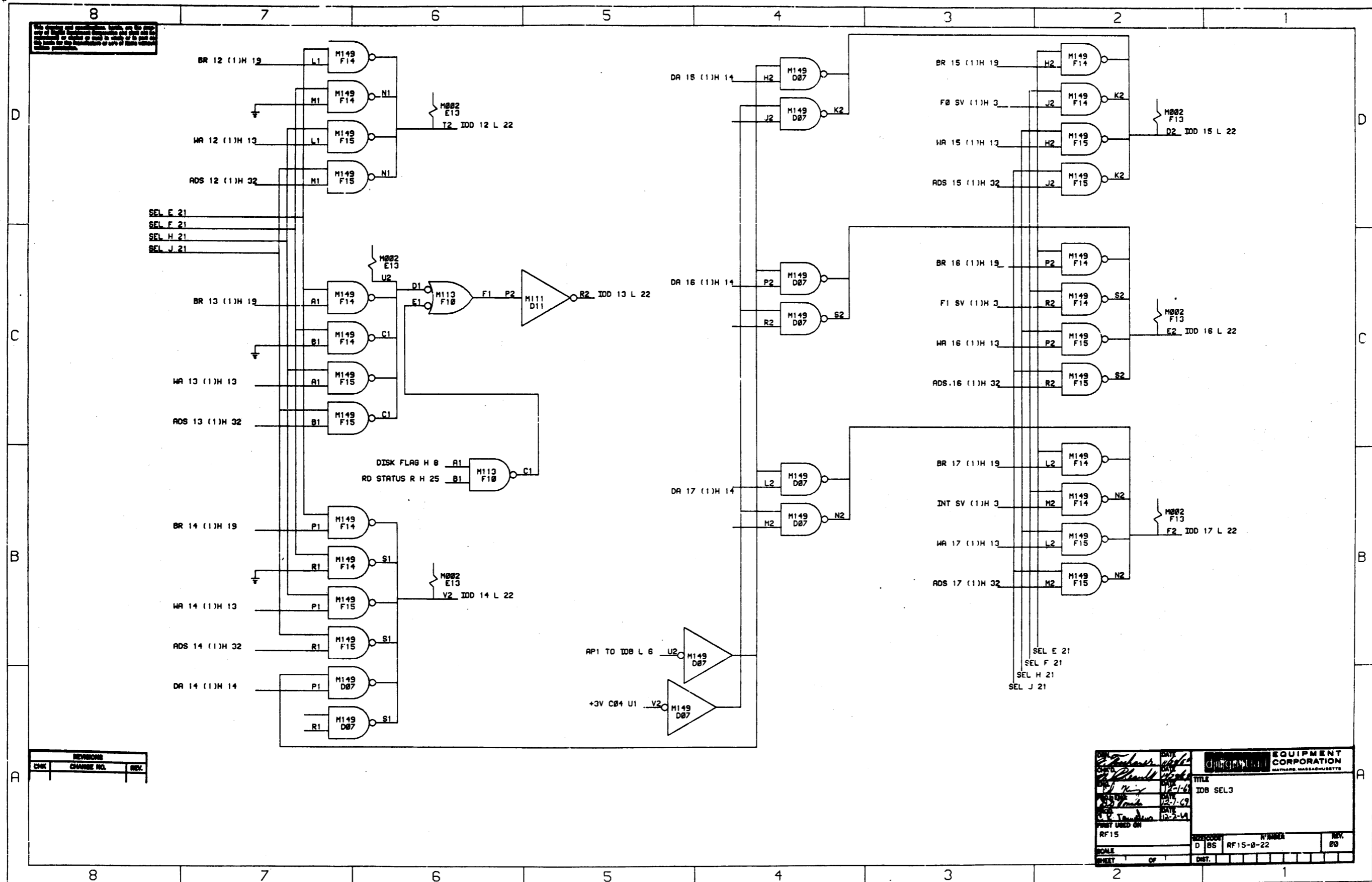


This drawing and specifications, herein, are the property of Digital Equipment Corporation and shall not be reproduced or copied or used in whole or in part, nor the herein for the construction or sale of items without written permission.

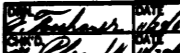


REVISIONS		
CHK	CHANGE NO.	REV.

DATE: 11/1/69		DIGITAL EQUIPMENT CORPORATION MAYFIELD, MASSACHUSETTS	
BY: P. Phelan	DATE: 11-1-69	TITLE: IOB SEL 2	
BY: J. King	DATE: 12-1-69	SCALE: D 85	
BY: J. Phelan	DATE: 12-1-69	NUMBER: RF15-0-01	
BY: J. Phelan	DATE: 12-1-69	REV: 00	
SHEET 1 OF 1		REV. 00	



REVISIONS		
CHK	CHANGE NO.	REL.

 DATE: 12-1-66 TIME: 12:49 BY: J. Paul UNIT: 12-2-4		<b>EQUIPMENT CORPORATION</b> <small>WATSONVILLE, CALIFORNIA</small>	
TITLE <b>IDB SEL3</b>		NUMBER <b>RF15-0-22</b>	
SCALE <b>D BS</b>	REV. <b>00</b>	SHEET <b>1</b>	OF <b>1</b>

Do not modify and specifications herein are the property of Digital Equipment Corporation and shall not be reproduced or copied or used in whole or in part or for any purpose other than that for which they were prepared.

G775  
C01 -IND P1

A1	ERROR H 10
B1	HDHR ERR H 10
C1	RPE (1)H 10
D1	MXFR (1)H 10
E1	WR CHER (1)H 10
F1	DATA ERROR H 10
H1	WLO (1)H 10
J1	NE DSK H 10
L1	DCH TE (1)H 10
N1	PE (1)H 10
P1	XFER CPLT H 7
R1	F0 SV (1)H 3
S1	F1 SV (1)H 3
T1	INT SV (1)H 3
U1	DA 15 (1)H 14
V1	DA 16 (1)H 14
VI	DA 17 (1)H 14

G775  
D01 -IND P2

A1	DA 14 (1)H 14
C1	SCQ ER (1)H 10
E1	PSLER (1)H 10
H1	WRITE H 4
K1	DISK RUN (1)H 3
L1	
M1	
N1	
P1	
R1	
S1	
T1	
U1	
V1	

G775  
E01 -IND P3

A1	TA 00 (1)H 14
B1	TA 01 (1)H 14
C1	TA 02 (1)H 14
D1	TA 03 (1)H 14
E1	TA 04 (1)H 14
F1	TA 05 (1)H 14
H1	TA 06 (1)H 14
J1	WA 07 (1)H 13
L1	WA 08 (1)H 13
N1	WA 09 (1)H 13
P1	WA 10 (1)H 13
R1	WA 11 (1)H 13
S1	WA 12 (1)H 13
T1	WA 13 (1)H 13
U1	WA 14 (1)H 13
V1	WA 15 (1)H 13
VI	WA 16 (1)H 13
VII	WA 17 (1)H 13

G775  
F01 -IND P4

A1	SR 00 (1)H 16
B1	SR 01 (1)H 16
C1	SR 02 (1)H 16
D1	SR 03 (1)H 16
E1	SR 04 (1)H 16
F1	SR 05 (1)H 16
H1	SR 06 (1)H 16
J1	SR 07 (1)H 16
L1	SR 08 (1)H 16
N1	SR 09 (1)H 17
P1	SR 10 (1)H 17
R1	SR 11 (1)H 17
S1	SR 12 (1)H 17
T1	SR 13 (1)H 17
U1	SR 14 (1)H 17
V1	SR 15 (1)H 17
VI	SR 16 (1)H 17
VII	SR 17 (1)H 17

G775  
C01 -IND P1

A2	DISK FLAG H 8
B2	DATA FLAG (1)H 7
D2	OFLO (1)H 7
F2	
H2	APAR (1)H 12
J2	
L2	OPAR (1)H 17
N2	
P2	
R2	
S2	
T2	
U2	
V2	

G775  
D01 -IND P2

A2	MNEP (1)H 1
B2	MPEN (1)H 1
C2	BTER (1)H 2
D2	CTER (1)H 2
E2	DTE (1)H 2
F2	
H2	
J2	
L2	MAINT (1)H 9
N2	
P2	
R2	
S2	
T2	
U2	
V2	

G775  
E01 -IND P3

A2	BUSY H 4
B2	LOH H 12
C2	MED H 12
D2	
E2	
F2	
H2	
J2	DS 07 (1)H 12
L2	DS 08 (1)H 12
N2	DS 09 (1)H 12
P2	DS 10 (1)H 12
R2	DS 11 (1)H 12
S2	DS 12 (1)H 12
T2	DS 13 (1)H 12
U2	DS 14 (1)H 12
V2	DS 15 (1)H 12
VI	DS 16 (1)H 12
VII	DS 17 (1)H 12

G775  
F01 -IND P4

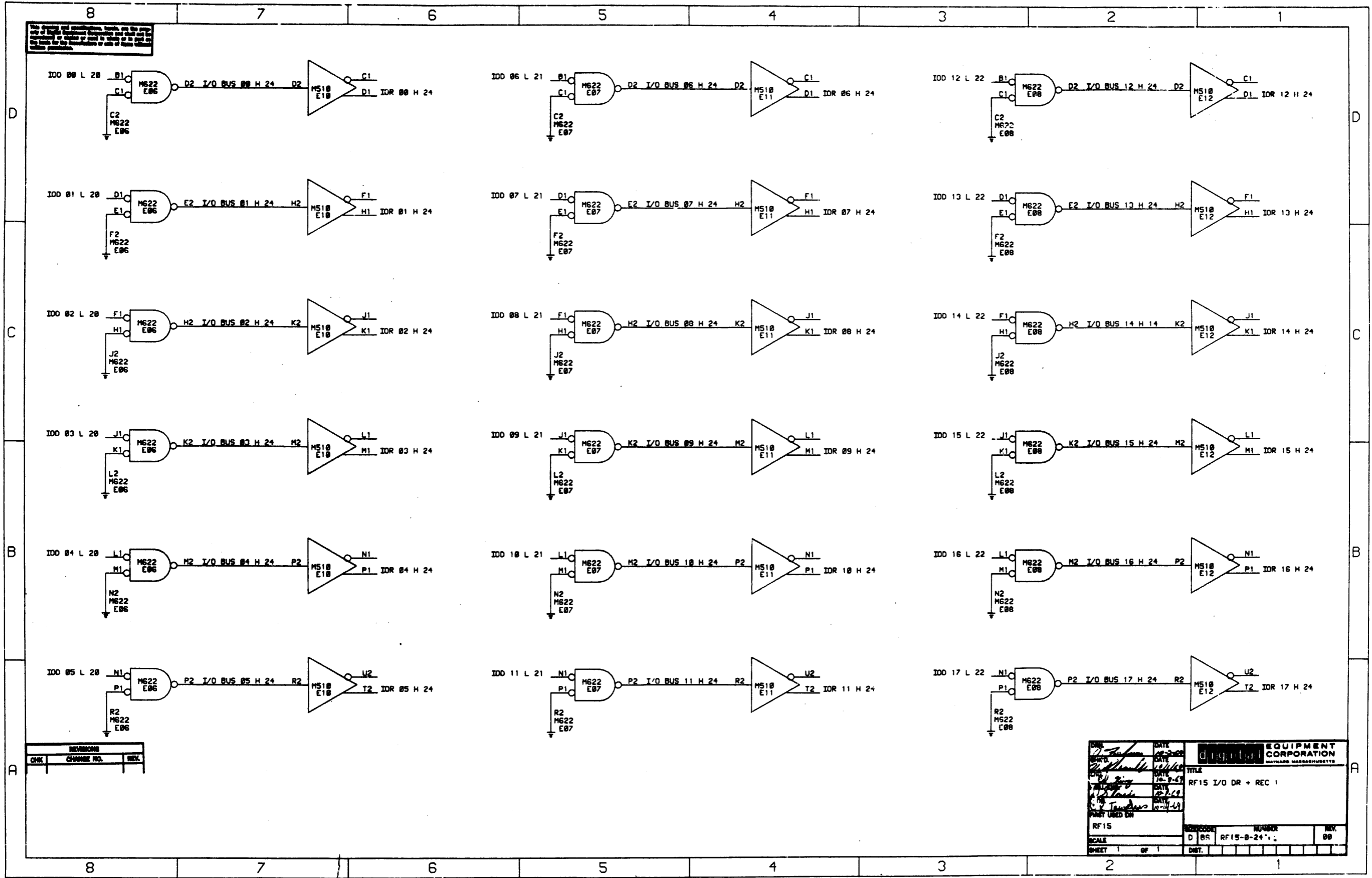
A2	BR 00 (1)H 18
B2	BR 01 (1)H 18
C2	BR 02 (1)H 18
D2	BR 03 (1)H 18
E2	BR 04 (1)H 18
F2	BR 05 (1)H 18
H2	BR 06 (1)H 18
J2	BR 07 (1)H 18
L2	BR 08 (1)H 18
N2	BR 09 (1)H 19
P2	BR 10 (1)H 19
R2	BR 11 (1)H 19
S2	BR 12 (1)H 19
T2	BR 13 (1)H 19
U2	BR 14 (1)H 19
V2	BR 15 (1)H 19
VI	BR 16 (1)H 19
VII	BR 17 (1)H 19

REVISIONS		
CHK	CHANGE NO.	REV.

DATE	12/1/67
DATE	12/1/67
DATE	12-1-67
DATE	12-1-69
DATE	12-2-69
FIRST USED ON	
RF15	
SCALE	
SHEET	OF 1
DIST.	

digital EQUIPMENT CORPORATION MAYNARD, MASSACHUSETTS	
TITLE	INDICATOR CABLES
SIZE CODE	D IL
NUMBER	RF15 C-28
REV.	00



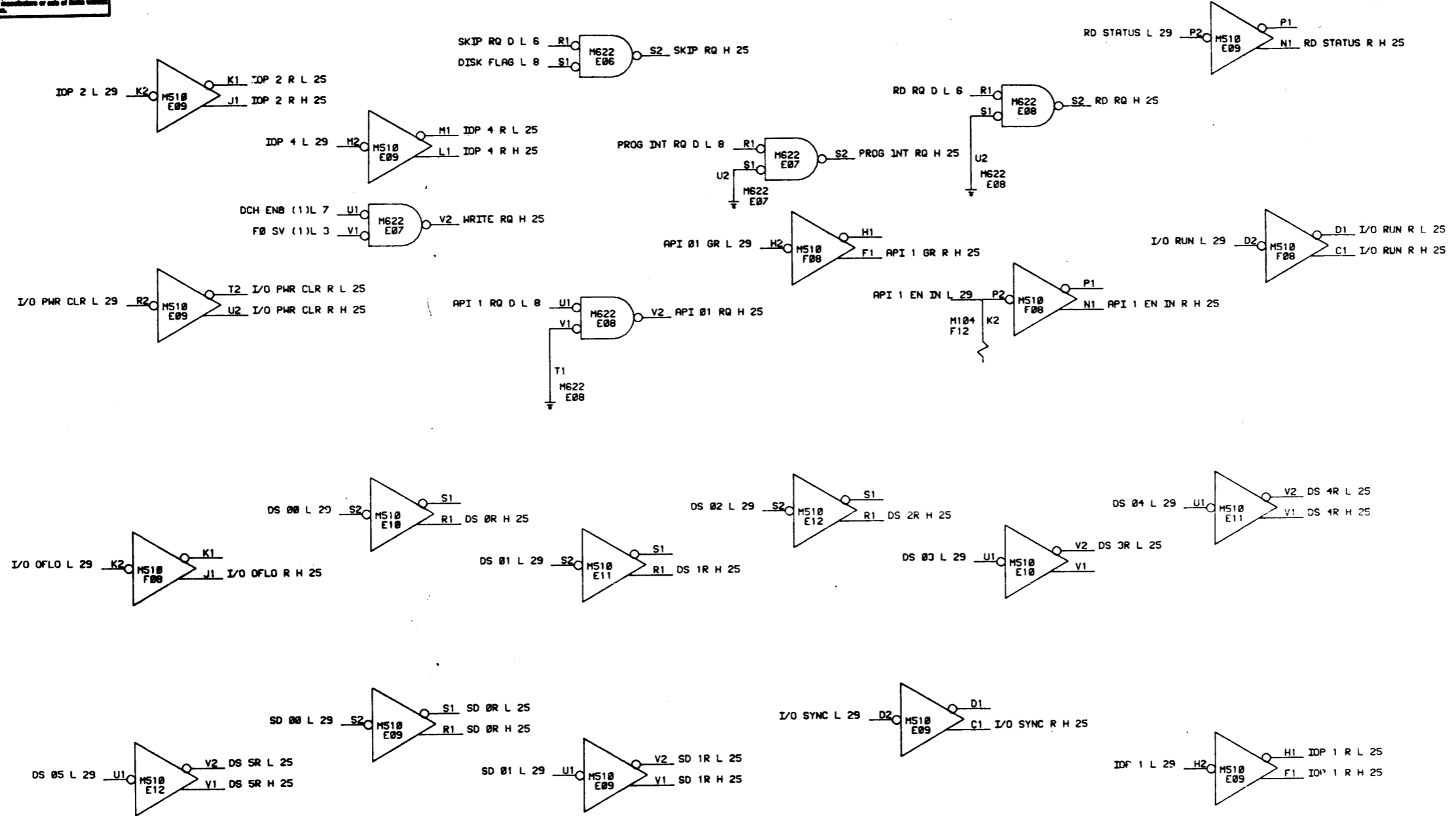


This drawing and associated data, including the title block, are the property of Digital Equipment Corporation. It is to be used only for the project and for the system for which it was prepared. It is not to be distributed outside of the project or system.

REVISIONS		
CHK	CHANGE NO.	REV.

DESIGNED <i>[Signature]</i> DATE 10-2-69	DRAWN <i>[Signature]</i> DATE 10-2-69	CHECKED <i>[Signature]</i> DATE 10-2-69	TITLE RF15 I/O DR + REC 1
PART USED ON RF15	SCALE D 85	NUMBER RF15-8-24-1	REV. 00
SHEET 1	OF 1	DIST.	1

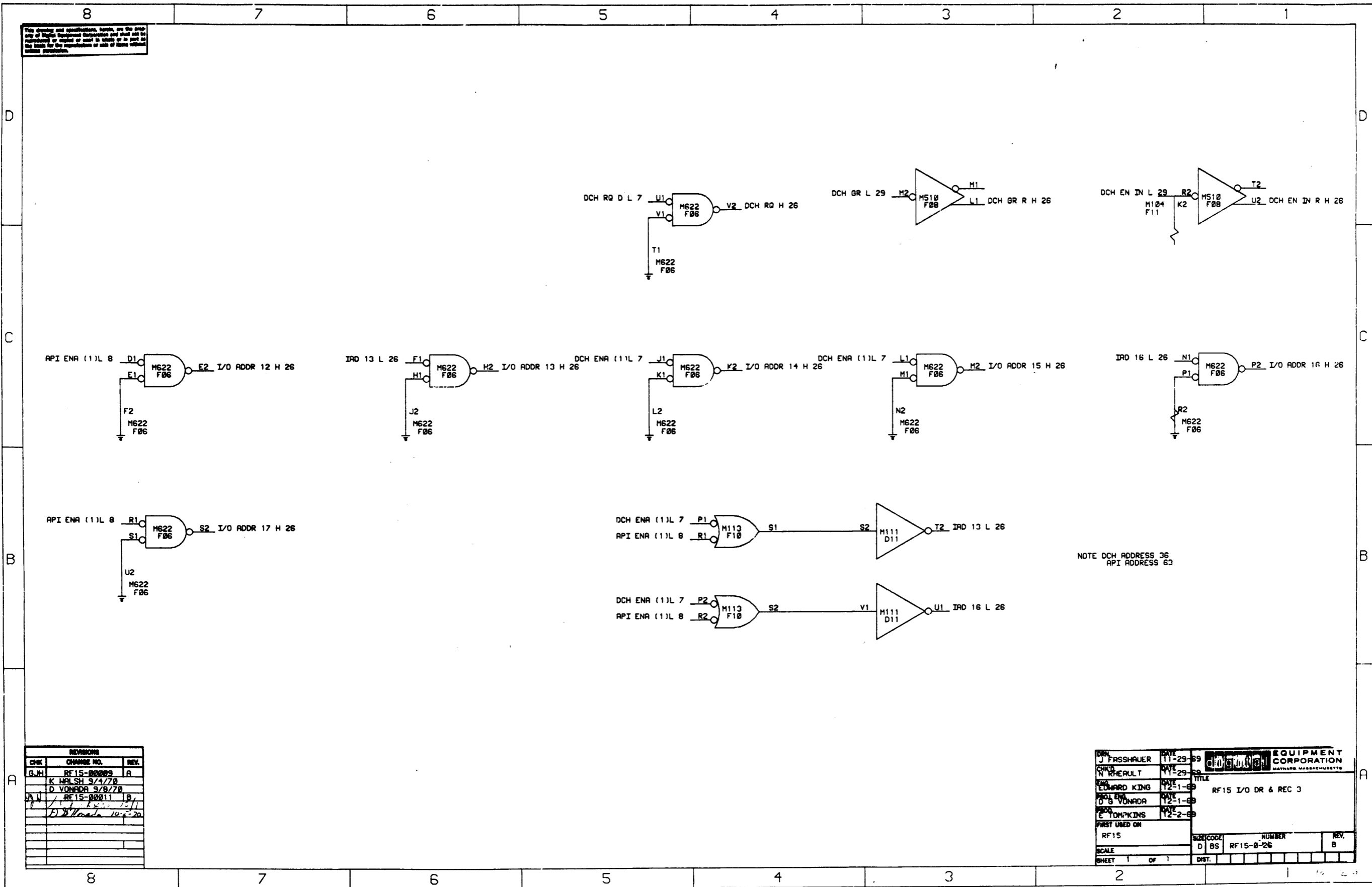
This drawing and specifications herein are the property of Digital Equipment Corporation and shall not be reproduced or copied or used in whole or in part as the basis for any other drawing or specifications without the written consent of Digital Equipment Corporation.



REVISIONS		
CHK	CHANGE NO.	REV.
B.H.	RF15-00003	A
K	WILSH 9/4/70	
D	VONADA 9/8/70	
H.L.	RF15-00011	B
	3/2/70	

DATE	10-2-69		EQUIPMENT CORPORATION MAYNARD, MASSACHUSETTS
CHKD	10-6-69		
ENG	10-8-69		
DRG	10-8-69		
PROG	10-14-69		
TITLE		RF15 I/O DR + REC 2	
FIRST USED ON		SIZE	NUMBER
RF15		D 69	RF15-0-05
SCALE		DIST.	REV.
SHEET 1 OF 1			B

This drawing and specifications, herein, are the property of Digital Equipment Corporation and shall not be reproduced or copied in whole or in part in any form for the manufacture of sets of items without written permission.

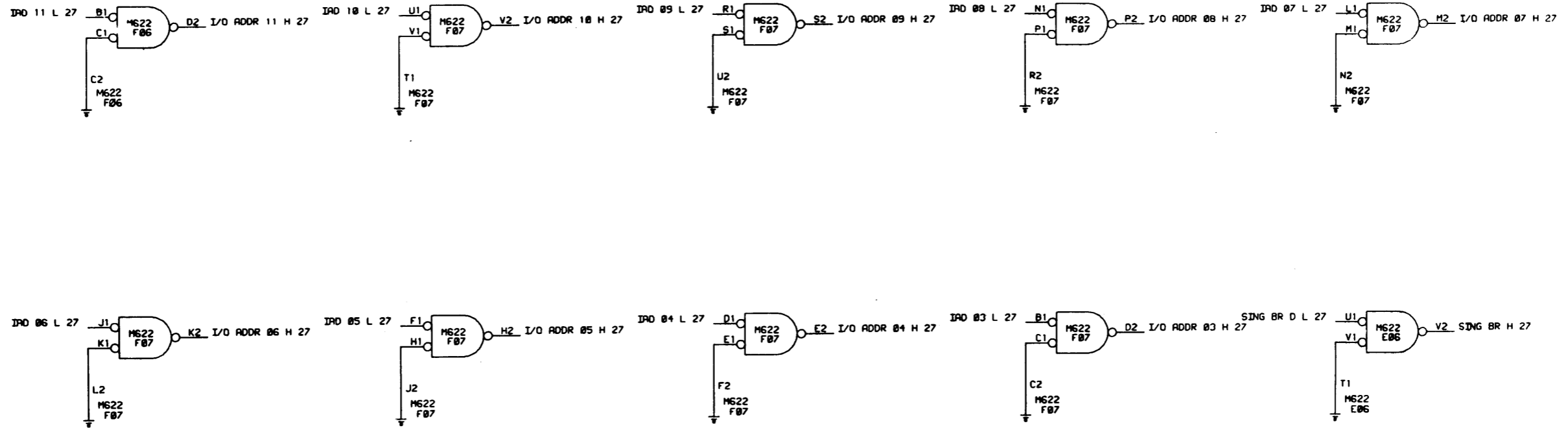


REVISIONS		
CHK	CHANGE NO.	REV.
G.H.	RF15-00009	A
	K WALSH 9/1/70	
	D VONADA 9/9/70	
J.N.	RF15-00011	B
	D VONADA 10-2-70	

DRN	J FASSHAUER	DATE	11-29-69	DIGITAL EQUIPMENT CORPORATION BAYSHARD, MASSACHUSETTS			
CHKD	N KHERULT	DATE	11-29-69				
ENGR	EDWARD KING	DATE	12-1-69	TITLE RF15 I/O DR & REC 3			
PROV ENGR	D B VONADA	DATE	12-1-69				
PROD	E TOMPKINS	DATE	12-2-69				
FIRST USED ON	RF15	SIZE/COOL	D BS	NUMBER	RF15-0-26	REV.	B
SHEET	1	OF	1	DIST.			

This drawing and specifications, herein, are the property of Digital Equipment Corporation and shall not be reproduced or copied in whole or in part, or in any manner, without the written permission of Digital Equipment Corporation.

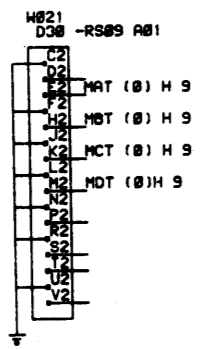
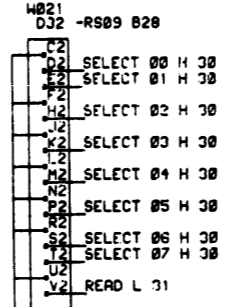
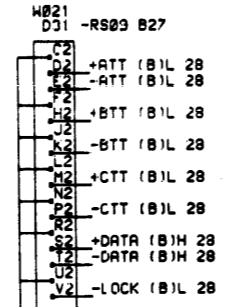
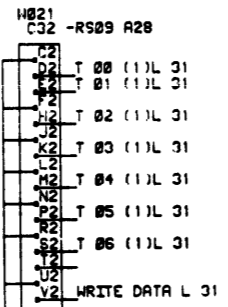
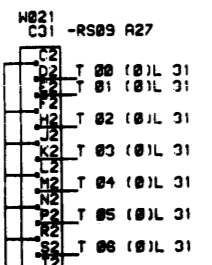
NOTE: THIS PRINT SUPPLIED TO SHOW EXISTING WIRING AND FOR THE CONVENIENCE OF SPECIAL SYSTEMS APPLICATIONS. MODULE IN LOCATION F07 IS NOT SUPPLIED.



REVISIONS		
CHK	CHANGE NO.	REV.

DATE	10-2-66		<b>EQUIPMENT CORPORATION</b> <small>MAYNARD MASSACHUSETTS</small>
DATE	10-2-66		
DATE	10-2-66		
DATE	10-2-66		
DATE	10-2-66		
TITLE		1 CYCLE DATA BREAK	
RF 15	SIZE CODE	NUMBER	REV.
SCALE	D BS	RF 15-0-27	00
SHEET 1	OF 1	DIST.	

The drawing and specifications herein are the property of Digital Equipment Corporation and are not to be reproduced, stored in a retrieval system, or transmitted in any form or by any means, electronic, mechanical, photocopying, recording, or by any information storage and retrieval system, without the prior written permission of Digital Equipment Corporation.



(MAINTENANCE ONLY)  
(SEE NOTE 1)

- NOTES:
1. MAINTENANCE SIGNALS GO HIGH (POS. TRANSION) ON FIRST PROGRAM '1' AFTER IOT CLR.
  2. TERMINATOR CARDS (G723) LOCATED IN C31,C32. +D32 AND G711 IN D31 ARE TO BE REMOVED AND PUT IN THE (DISK BUS OUT) CABLE SLOTS OF THE LAST RS09. INSERT G723'S IN LOCATIONS A27, A28 + B28 AND THE G711 IN LOCATION B27 OF THE LAST RS09.

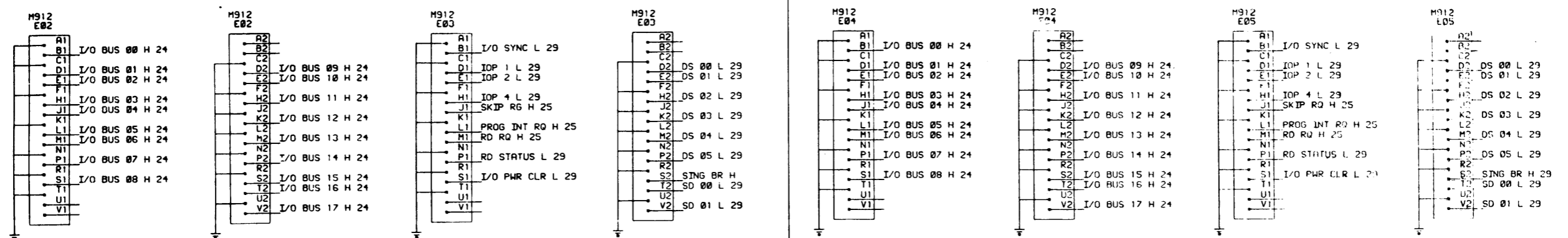
REVISIONS		
CHK	CHANGE NO.	REV.

DATE 12-2-79	DATE 12-2-79	digital EQUIPMENT CORPORATION MAYFORD, MASSACHUSETTS
DATE 12-2-79	DATE 12-2-79	
TITLE RF15 TO AND FROM RS09		REV. 00
FIRST USED ON RF15		
SCALE D IC	NUMBER RF15-0-00	
SHEET 	OF 	DIST. 

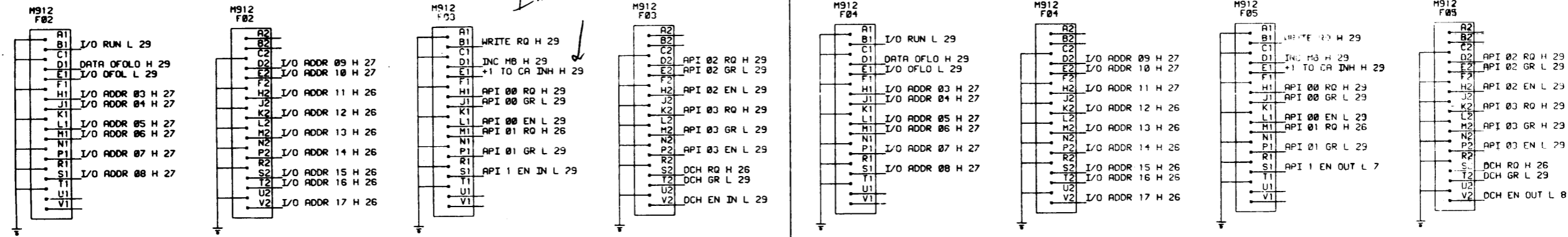
This drawing and specifications, herein, are the property of Digital Equipment Corporation and shall not be reproduced or copied in whole or in part, or the contents thereof, without the express written permission of Digital Equipment Corporation.

8 7 6 5 4 3 2 1

IN OUT



*Inhibit current + Address cycle*



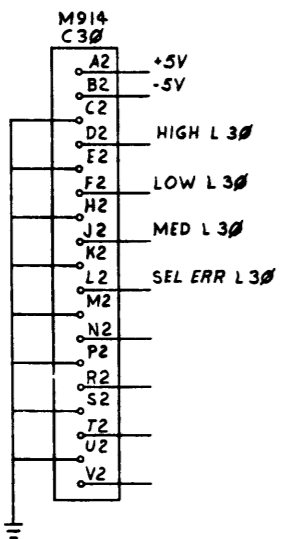
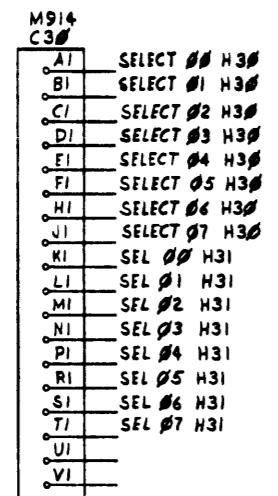
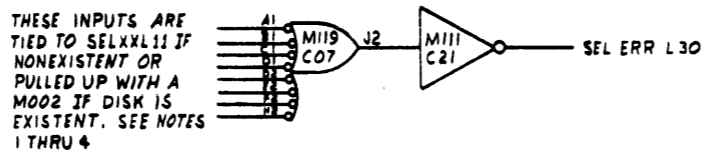
REVISIONS		
CHK	CHANGE NO.	REV.
AM	RF15-00011	A

DRG	J. FASSHALLER	DATE	10-9-69		<b>EQUIPMENT CORPORATION</b> <small>MAYNARD, MASSACHUSETTS</small>
CHK'D	J. FASSHALLER	DATE	10-9-69		
ENG	J. RING	DATE	10-9-69		
PROJ. ENG.	D. VONZDORF	DATE	10-9-69		
PROD. ENG.	E. THOMPSON	DATE	10-14-69		
TITLE				RF15 I/O CABLE	
FIRST USED ON				RF15	
SCALE	D IC	NUMBER	RF15-0-29	REV.	A
SHEET	1	OF	1	DIST.	

8 7 6 5 4 3 2 1

THIS DRAWING AND SPECIFICATIONS HEREIN ARE THE PROPERTY OF THE UNITED STATES GOVERNMENT AND ARE LOANED TO YOU. IT IS TO BE RETURNED TO THE OFFICE OF ORIGIN AT THE COMPLETION OF YOUR WORK. NO PART OF THIS DRAWING IS TO BE REPRODUCED OR TRANSMITTED IN ANY FORM OR BY ANY MEANS, ELECTRONIC OR MECHANICAL, INCLUDING PHOTOCOPYING, RECORDING, OR BY ANY INFORMATION STORAGE AND RETRIEVAL SYSTEM, WITHOUT PERMISSION IN WRITING FROM THE UNITED STATES GOVERNMENT.

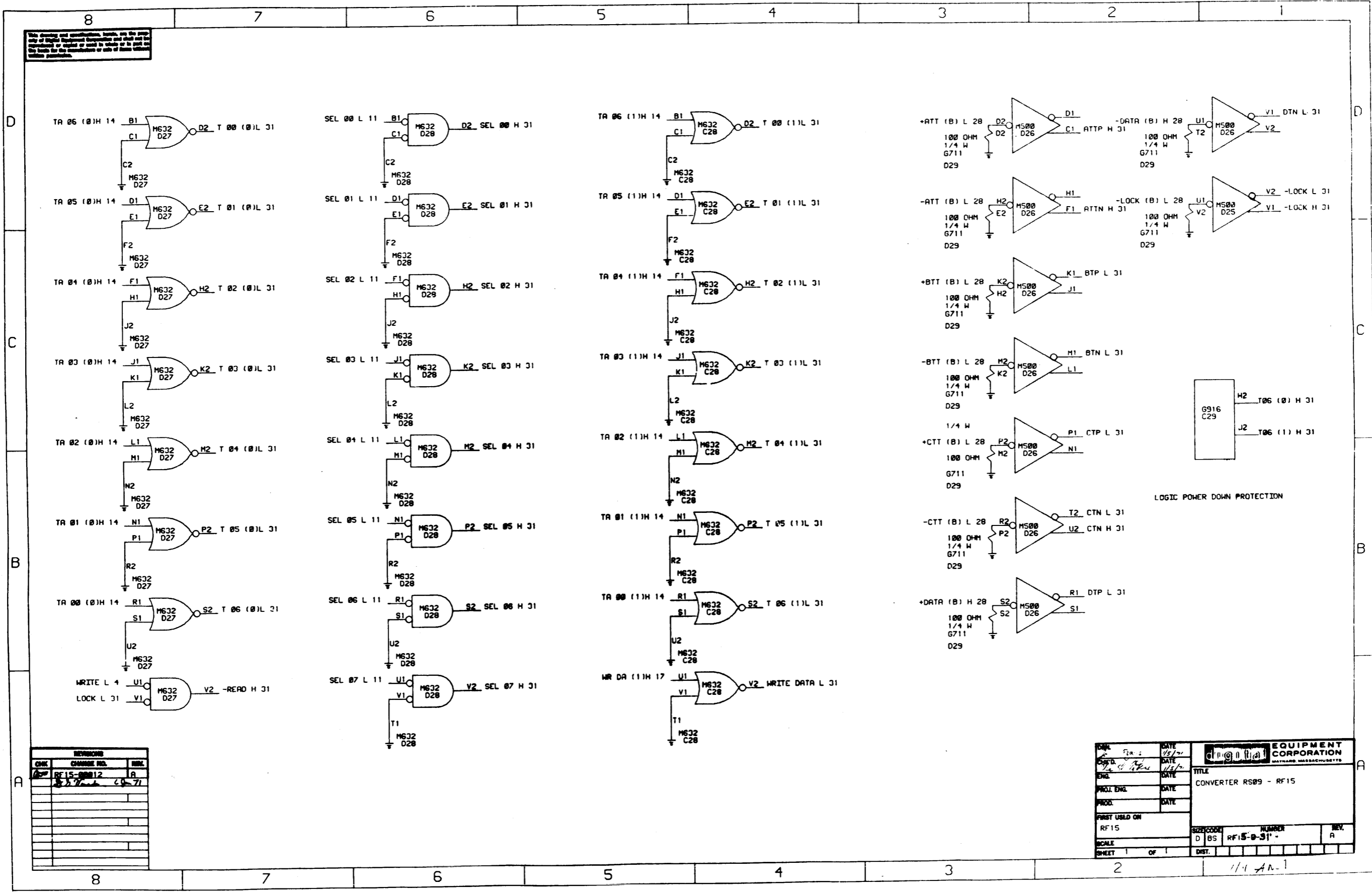
- NOTES:**
- THE FOLLOWING WIRE ADD'S MUST BE DONE IF SELECTION PANEL DOES NOT EXIST.
- C07J2-C21A1  
C21B1-C30L2
  - ADD THE FOLLOWING FOR DESIRED TRANSFER SPEED:  
 LO MED HI  
 C30F2-C30C2 C30F2-C08N2 C30F2-C08N2  
 C30J2-C08N2 C30J2-C30C2 C30J2-C08P2  
 C30D2-C08P2 C30D2-C08P2 C30D2-C30C2
  - ADD THE FOLLOWING FOR THE CORRESPONDING EXISTENT DISKS:  
 DISK 00 C07A1-C08D2  
 C30A1-C30K1  
 DISK 01 C07B1-C08E2  
 C30B1-C30L1  
 DISK 02 C07C1-C08F2  
 C30C1-C30M1  
 DISK 03 C07D1-C08H2  
 C30D1-C30N1  
 DISK 04 C07E2-C08J2  
 C30E1-C30P1  
 DISK 05 C07F2-C08K2  
 C30F1-C30R1  
 DISK 06 C07H2-C08L2  
 C30H1-C30S1  
 DISK 07 C07H2-C08M2  
 C30J1-C30T1
  - ADD THE FOLLOWING FOR THE CORRESPONDING NONEXISTENT DISKS:  
 DISK 00 D17V1-C07A1  
 DISK 01 D17V1-C07B1  
 DISK 02 D17S2-C07C1  
 DISK 03 D17N1-C07D1  
 DISK 04 D17M2-C07D2  
 DISK 05 D17J1-C07E2  
 DISK 06 D17H2-C07F2  
 DISK 07 D17D1-C07H2



REV.	REV.
1	A
REVISED & REDRAWN	
G. CREASER	
12/2/69	

DRN. J. FASHAUER	11/29/69	FIRST USED ON	RF15
CHK'D N. RHEAULT	11/29/69	TITLE	SELECTION
ENG. E. KING	12/1/69	SIZE	D
PROJ. ENG. VONADA	12/1/69	CODE	BS
PROD. C. TOWPKUS	12/2/69	NUMBER	RF15-0-30
NEXT HIGHER ASSY.		REV.	A
SCALE		SHEET	1 OF 1
		DIST.	

This drawing and specifications, herein, are the property of Digital Equipment Corporation and shall not be reproduced or copied in whole or in part without the written consent of Digital Equipment Corporation.

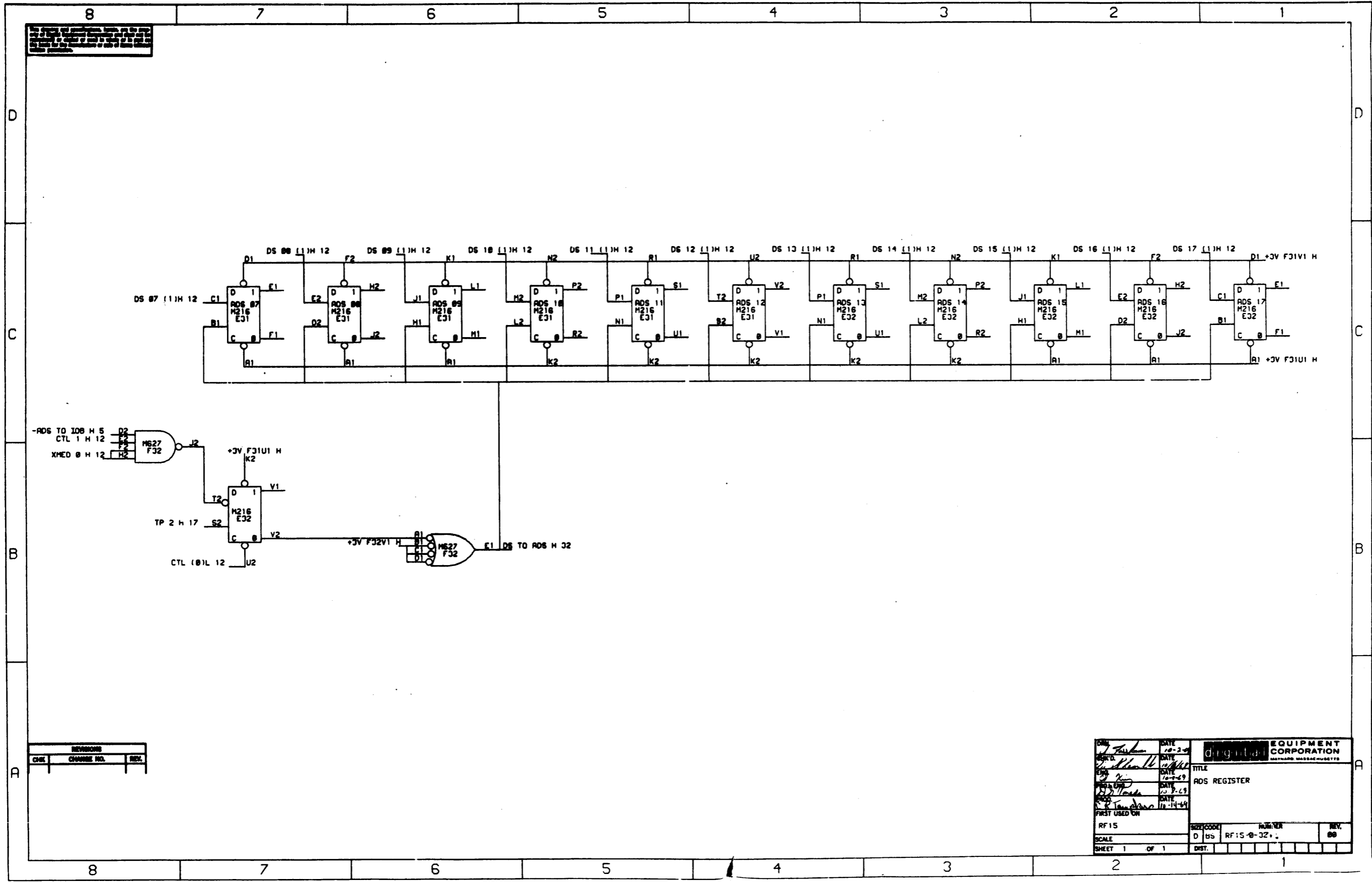


REVISIONS		
CHK	CHANGE NO.	REASON
RF15	00012	A

DATE	DATE	 <b>DIGITAL EQUIPMENT CORPORATION</b> MAYFORD, MASSACHUSETTS
CHKD	DATE	
ENGR	DATE	TITLE
PROJ. ENGR.	DATE	CONVERTER RS09 - RF15
PROD.	DATE	
FIRST USED ON		
RF15		
SCALE	SIZE CODE	NUMBER
	D 05	RF15-0-31
SHEET	OF	DIST.

1/1 AN-1





See drawing and specifications for details. All dimensions are in inches unless otherwise specified. All tolerances are in inches unless otherwise specified. All dimensions are in inches unless otherwise specified.

REVISIONS		
CHK	CHANGE NO.	REV.

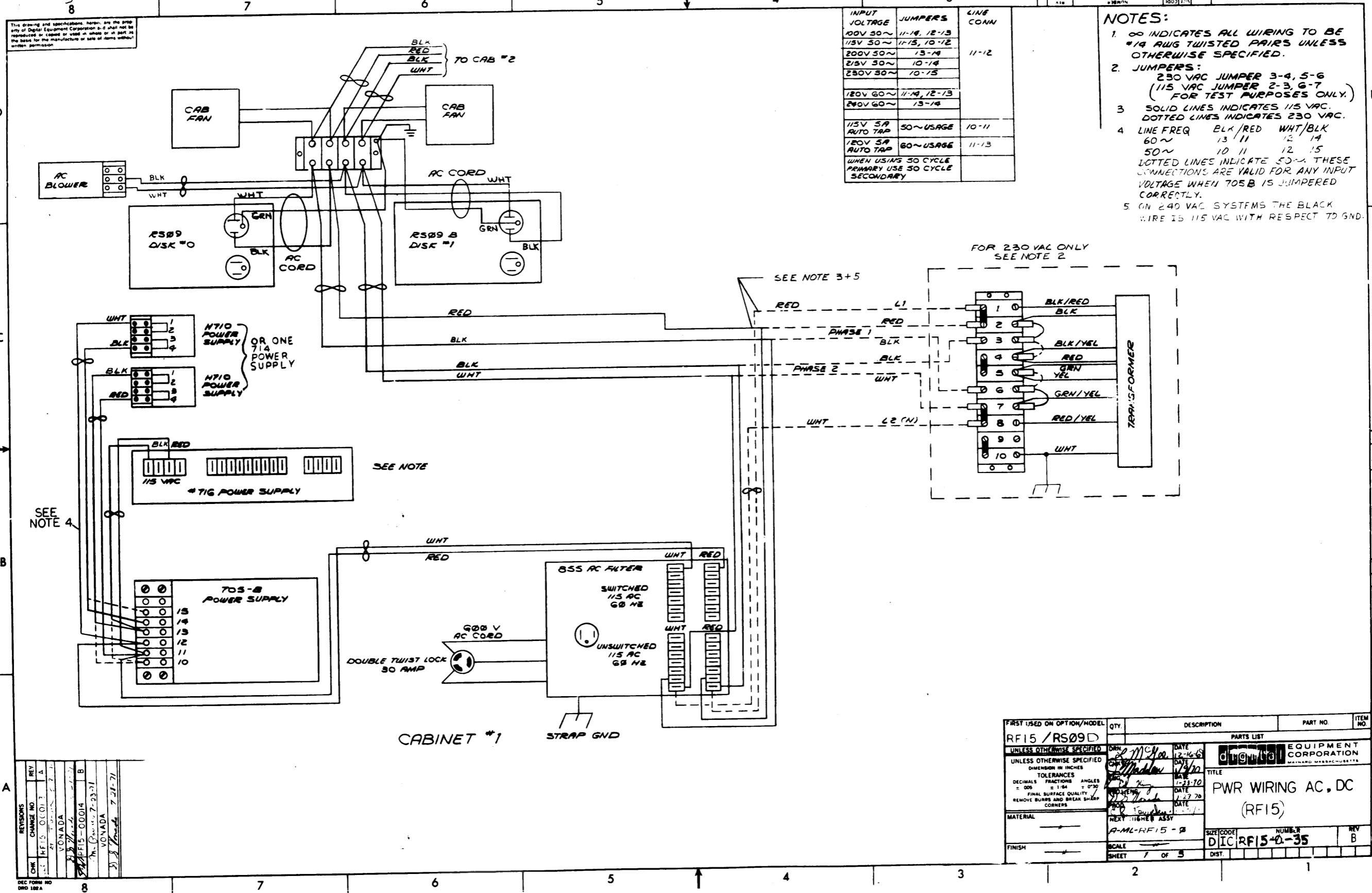
DATE	10-29	 <b>DIGITAL EQUIPMENT CORPORATION</b> <small>MAYNARD MASSACHUSETTS</small>
DATE	11/11/69	
TITLE	RDS REGISTER	
DATE	10-2-69	
DATE	10-8-69	
DATE	11-14-69	
FIRST USED ON		
RF 15	SIZE CODE	NUMBER
SCALE	D 85	RF: 5-0-32
SHEET 1 OF 1	DIST.	REV. 00

This drawing and specifications herein are the property of Digital Equipment Corporation and shall not be reproduced or copied or used in whole or in part in the manufacture or sale of items without written permission.

REV 15-0-35

INPUT VOLTAGE	JUMPERS	LINE CONN
100V 50~	11-14, 12-13	
115V 50~	11-13, 10-12	
200V 50~	13-14	11-12
215V 50~	10-14	
230V 50~	10-13	
120V 60~	11-14, 12-13	
240V 60~	13-14	
115V 5A AUTO TAP	50~USAGE	10-11
120V 5A AUTO TAP	60~USAGE	11-13

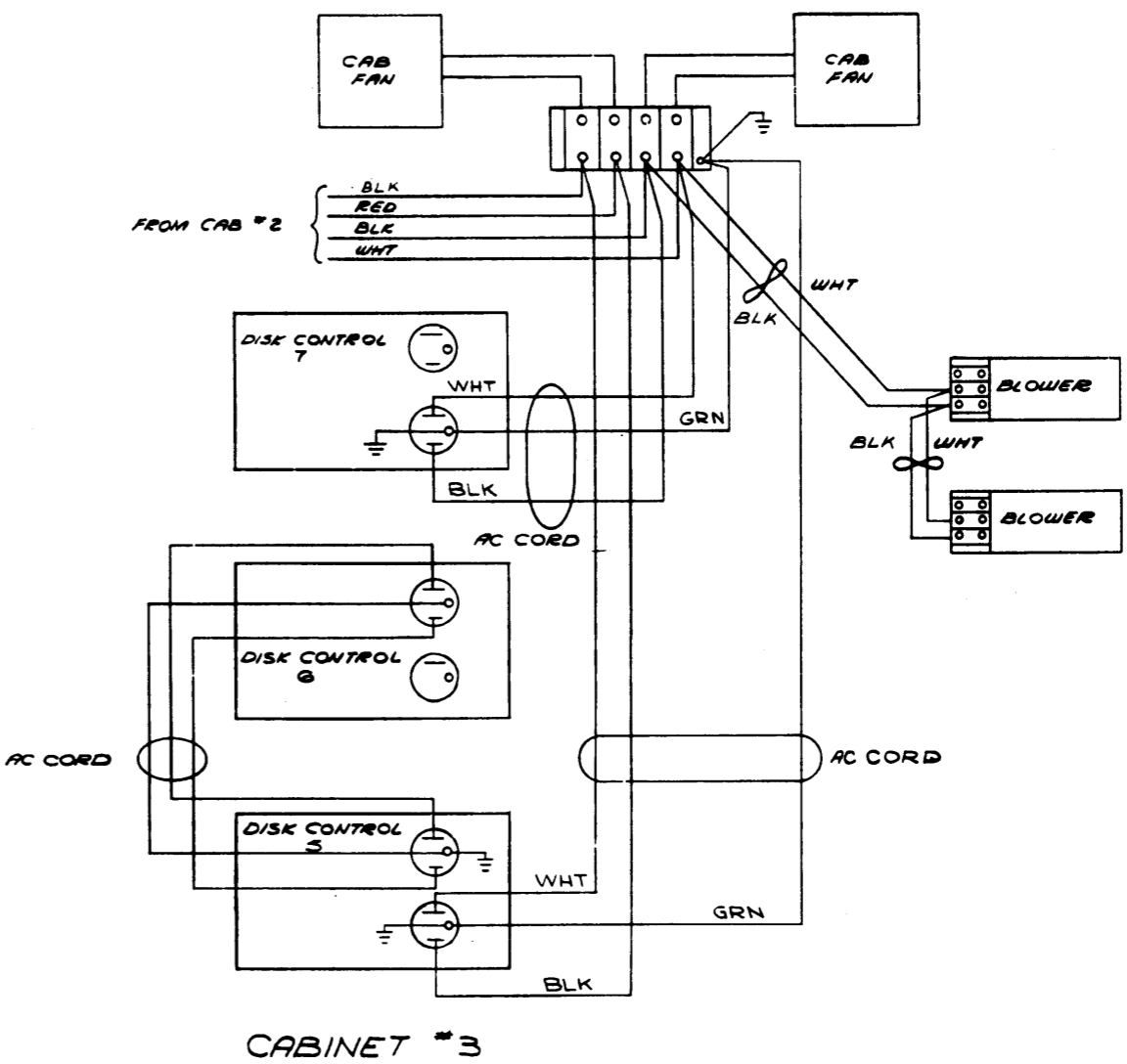
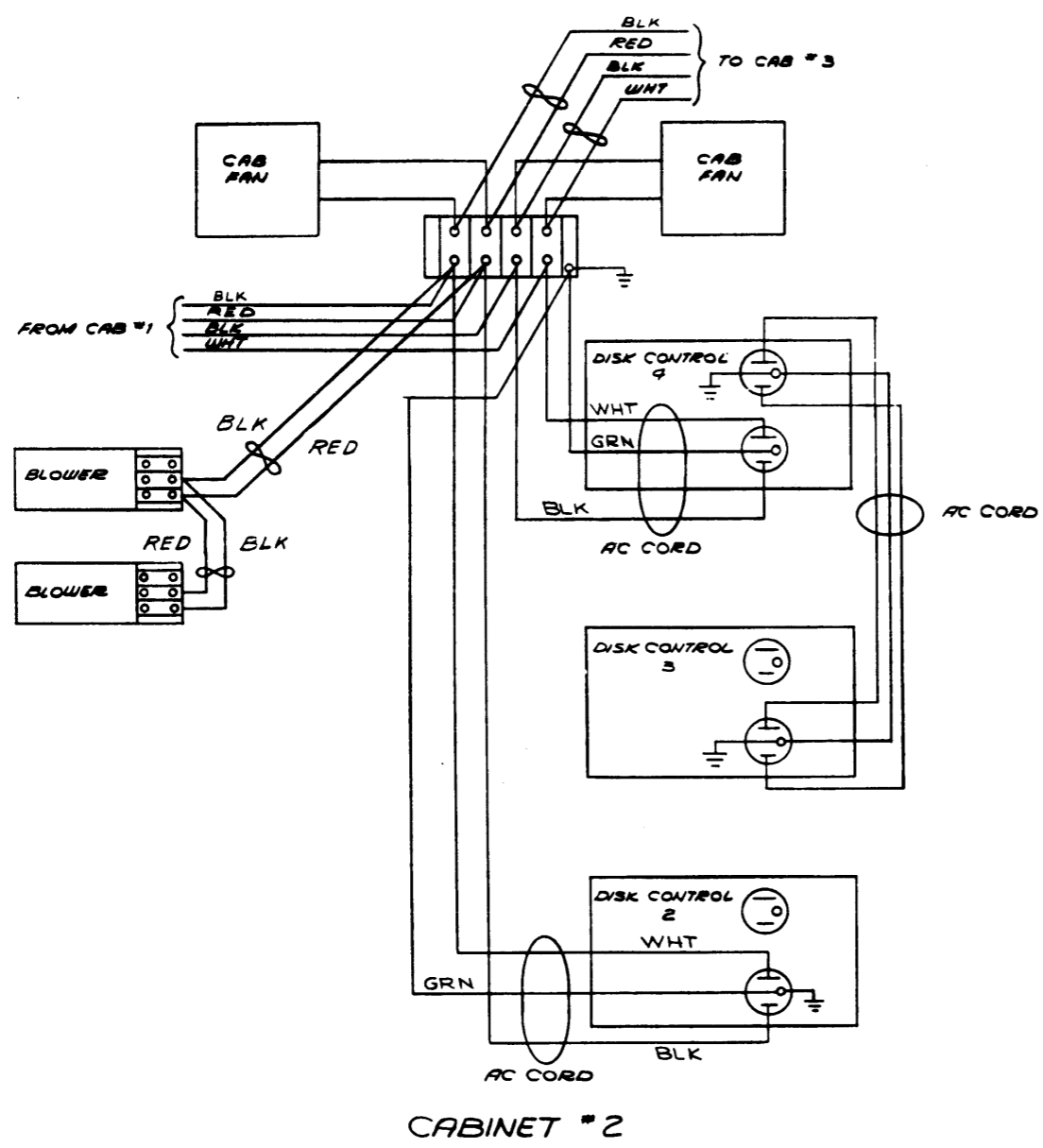
- NOTES:**
- ∞ INDICATES ALL WIRING TO BE #14 AWG TWISTED PAIRS UNLESS OTHERWISE SPECIFIED.
  - JUMPERS:  
230 VAC JUMPER 3-4, 5-6  
(115 VAC JUMPER 2-3, 6-7 FOR TEST PURPOSES ONLY.)
  - SOLID LINES INDICATES 115 VAC. DOTTED LINES INDICATES 230 VAC.
  - LINE FREQ BLK/RED WHT/BLK  
60~ 13 11 12 14  
50~ 10 11 12 15  
DOTTED LINES INDICATE 50~. THESE CONNECTIONS ARE VALID FOR ANY INPUT VOLTAGE WHEN 705B IS JUMPED CORRECTLY.
  - ON 240 VAC SYSTEMS THE BLACK WIRE IS 115 VAC WITH RESPECT TO GND.



REV	DATE	BY	CHK
1	7-23-71	WONADA	
2	7-28-71	WONADA	

FIRST USED ON OPTION/MODEL	QTY	DESCRIPTION	PART NO.	ITEM NO.
RF15 / RS09				
<p>UNLESS OTHERWISE SPECIFIED</p> <p>DIMENSION IN INCHES</p> <p>TOLERANCES</p> <p>DECIMALS FRACTIONS ANGLES</p> <p>± .005 ± .125 ± 0°30'</p> <p>FINAL SURFACE QUALITY</p> <p>REMOVE BURRS AND BREAK SHARP CORNERS</p>				
<p>MATERIAL</p> <p>FINISH</p>				
<p>DATE: 12-16-68</p> <p>DATE: 1-23-70</p> <p>DATE: 1-27-70</p>			<p>DATE: 1-27-70</p>	
<p>SCALE</p> <p>SHEET 7 OF 5</p>			<p>SIZE CODE: D</p> <p>NUMBER: RF15-0-35</p> <p>REV: B</p>	

This drawing and specifications, herein, are the property of Digital Equipment Corporation and shall not be reproduced or used in whole or in part as the basis for the manufacture of any of them without written permission.



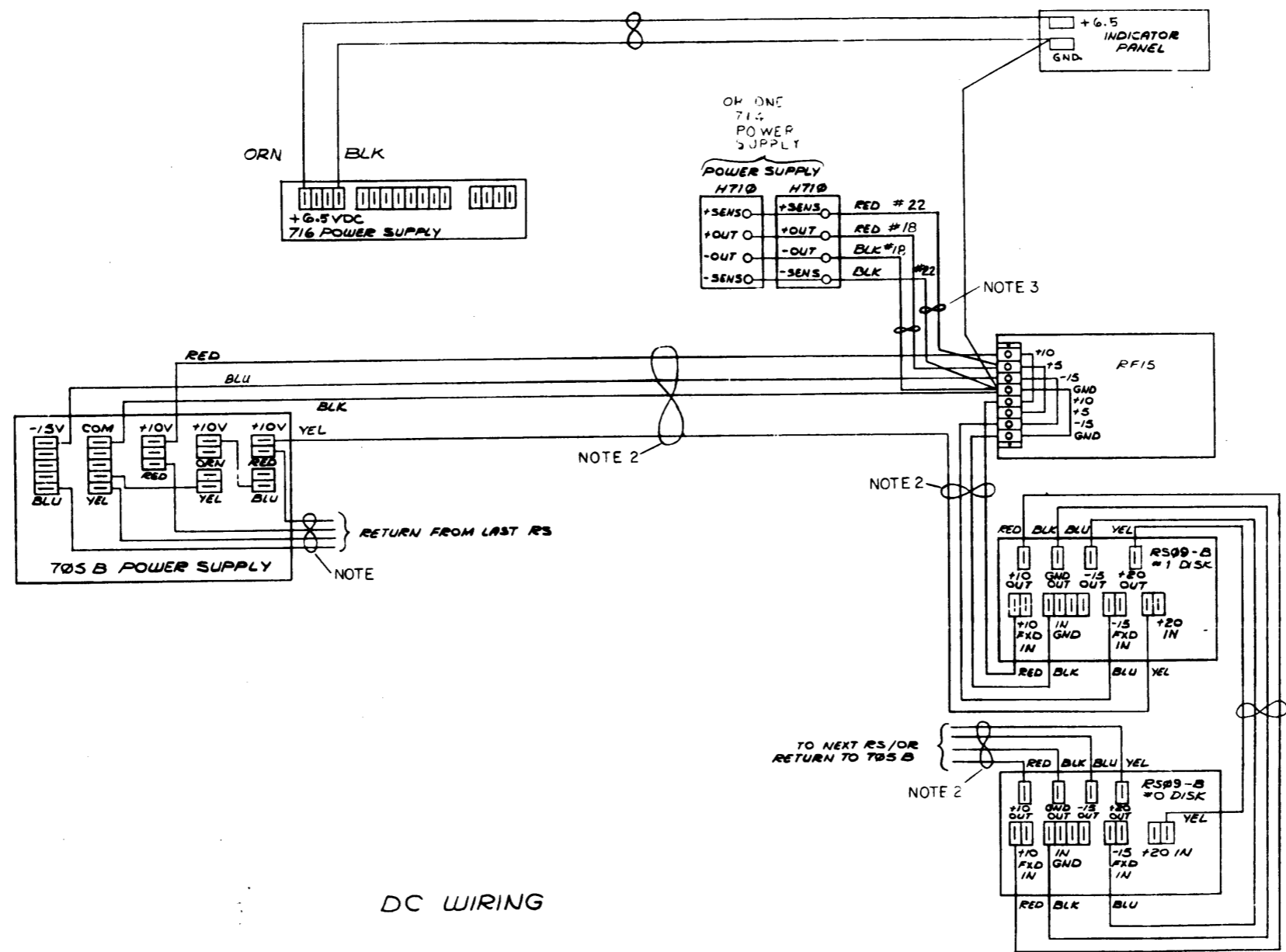
REVISIONS	REV
CHANGE NO.	
CHK	

DEC FORM NO. DRG 102A

FIRST USED ON OPTION/MODEL RF15 / RS09D	QTY	DESCRIPTION	PART NO.	ITEM NO.
PARTS LIST				
UNLESS OTHERWISE SPECIFIED				
DIMENSION IN INCHES				
TOLERANCES				
DECIMALS	FRACTIONS	ANGLES		
± .005	± 1/64	± 0°30'		
FINAL SURFACE QUALITY				
REMOVE BURRS AND BREAK SHARP CORNERS				
MATERIAL	NEXT HIGHER ASSY	DATE		
FINISH	SCALE	DATE		
	SHEET 2 OF 3	DATE		
TITLE			CORPORATION	
PWR WIRING AC-DC			CORPORATION	
(RF15)			MAYNARD, MASSACHUSETTS	
SIZE/CODE	NUMBER	REV		
DIC RF15-0-35		5		

The drawings and specifications herein are the property of Digital Equipment Corporation and shall not be reproduced or copied in whole or in part or the same for the manufacture or sale of items without written permission.

- NOTE:
1. WIRE SIZE 14 AWG. UNLESS OTHERWISE NOTED.
  2. TWIST TOGETHER YEL/BLK AND RED/BLU.
  3. SENSE LINES ARE 22 AWG TWISTED.

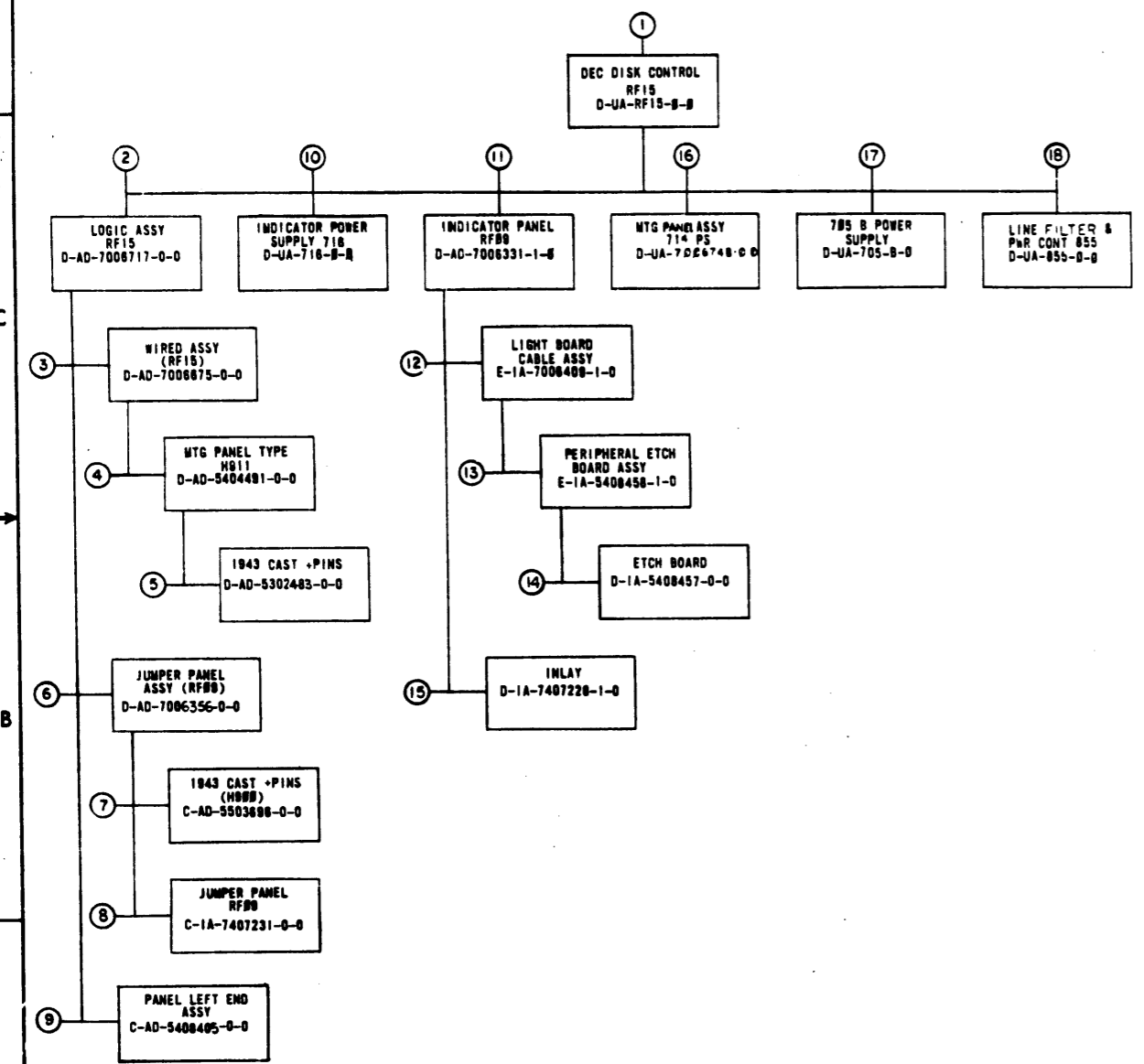


DC WIRING

REV	NO
CHG	NO

FIRST USED ON OPTION/MODEL RF15 / RS09D	QTY.	DESCRIPTION	PART NO.	ITEM NO.
UNLESS OTHERWISE SPECIFIED DIMENSION IN INCHES TOLERANCES DECIMALS FRACTIONS ANGLES = .005 = 1/64 = 0°30' FINAL SURFACE QUALITY REMOVE BURRS AND BREAK SHARP CORNERS	DATE 12-14-70	DATE 12-14-70	PARTS LIST <b>digital</b> CORPORATION MAYNARD MASSACHUSETTS	
MATERIAL	DATE 12-3-70	DATE 12-3-70	TITLE PWR WIRING AC, DC (RF15)	
FINISH	DATE 1-3-71	DATE 1-3-71	SIZE CODE D1C RF15-0-35	NUMBER B
	NEXT HIGHER ASSY A-ML 1.F15-0	SCALE 3 0' 3	REV B	
		SHEET 3 OF 3		

The drawing and specifications herein are the property of Digital Equipment Corporation and shall not be reproduced or used in whole or in part as the basis for the manufacture or sale of items without written permission.



MECHANICAL			DEPTH USAGE		
FIND NO	DESCRIPTION	PART NO	PROD	CUST	F C
1	DEC DISK CONTROL RF15 DEC DISK CONTROL RF15 (PL) BRACKET MTG CABL. BC09C	D-UA-RF15-B-0 A-PL-PF15-B-0 C-1A-7407337-0-0 D-UA-BC09-7-0			
2	LOGIC ASSY LOGIC ASSY (PL) RETAINER BLOCK RIGHT END PANEL	D-AD-7006717-0-0 A-PL-7006717-0-0 C-MD-7407127-0-0 C-MD-5302486-0-0			
3	WIRED ASSY (RF15) WIRED ASSY (RF15) (PL) LOGIC FRAME DECALS	D-AD-7006675-0-0 A-PL-7006675-0-0 A-DC-7406371-0-0			
4	MTG PANEL TYPE H911 MTG PANEL TYPE H911 (PL) 200 PIN CONN BLOCK TYPE #H003	D-AD-5404491-0-0 A-PL-5404491-0-0 E-SC-1205348-0-0			
5	1943 CASTING PLUS PINS 1943 CASTING PLUS PINS (PL) 1943 FRAME CASTING	D-AD-5302483-0-0 A-PL-5302483-0-0 E-MD-1202885-0-0			
6	JUMPER PANEL ASSY (RF09) JUMPER PANEL ASSY (PL) SELECTION PANEL ASSY CLAMP W/PC	D-AD-7006356-0-0 A-PL-7006356-0-0 D-1A-7006438-0-0 B-1A-7407422-0-0			
7	1943 CASTING PLUS PINS (H900) 1943 CASTING PLUS PINS (H900) (PL) 1943 FRAME CASTING	C-AD-5503696-0-0 A-PL-5503696-0-0 E-MD-1202885-0-0			
8	JUMPER PANEL RF09 SILK SCREEN	C-1A-7407231-0-0 C-SS-7407231-0-1			
9	PANEL LEFT END ASSY PANEL LEFT END ASSY (PL) PANEL LEFT END PANEL LEFT END DECAL	C-AD-5408405-0-0 A-PL-5408405-0-0 C-MD-5308404-0-0 A-DC-5308408-0-0			
10	INDICATOR POWER SUPPLY 718 INDICATOR POWER SUPPLY 718 (PL)	D-UA-718-0-0 A-PL-718-0-0			
11	RF09 INDICATOR PANEL ASSY RF09 INDICATOR PANEL ASSY (PL) 5 1 4 SNAP ON BEZEL BENELEX BENELEX MTG BRACKET LATCH MOULDING	D-AD-7006331-1-0 C-PL-7006331-1-0 D-SC-1209228-0-0 D-1A-7407222-0-0 C-MD-7407086-3-0 C-SC-1209224-0-0			
12	LIGHT BOARD CABLE ASSY	E-1A-7006409-1-0			
13	PERIPHERAL ETCH BD ASSY	E-1A-5408458-1-0			
14	ETCH BOARD PRINTED CIRCUIT	D-1A-5408457-0-0 PC-5008457			
15	INLAY SILK SCREEN WHT SILK SCREEN BLK	D-1A-7407228-1-0 C-SS-7407228-0-1 C-SS-7407228-0-2			
16	MTG PANEL ASSY 714 P.S. MTG PANEL ASSY 714 P.S. (PL)	D-UA-785-B-0 A-PL-785-B-0			
17	785 B P.S. 785B P.S. (PL)	D-UA-855-B-0 A-PL-855-B-0			
18	LINE FILTER & POWER CONT 855 LINE FILTER & POWER CONT 855 (PL)	D-UA-855-B-0 A-PL-855-B-0			

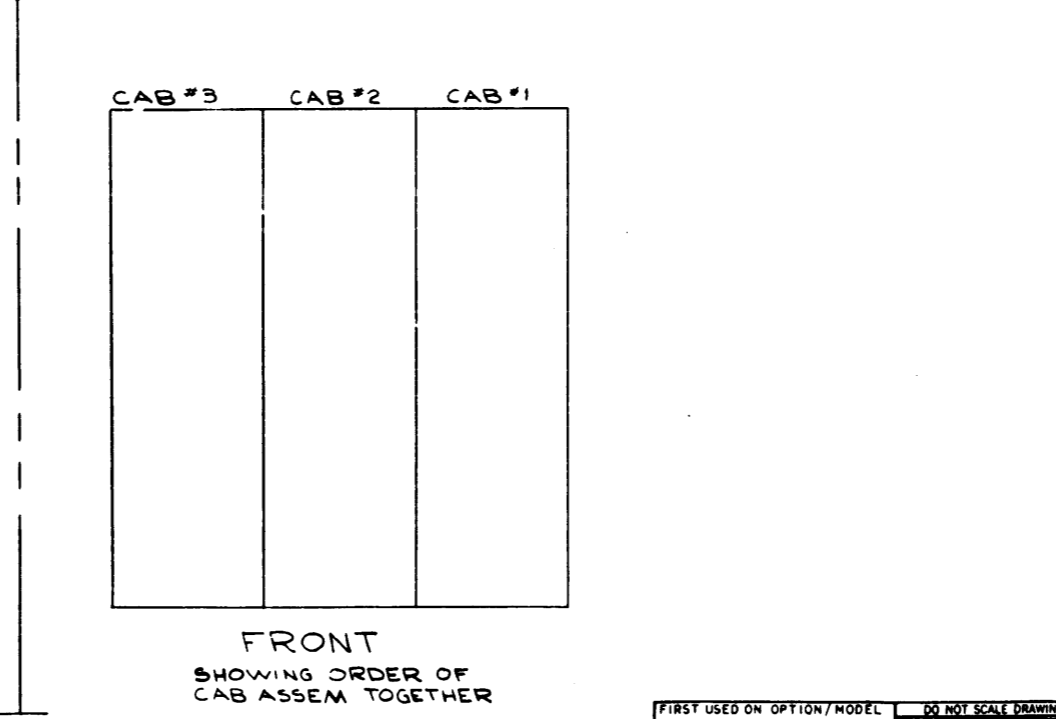
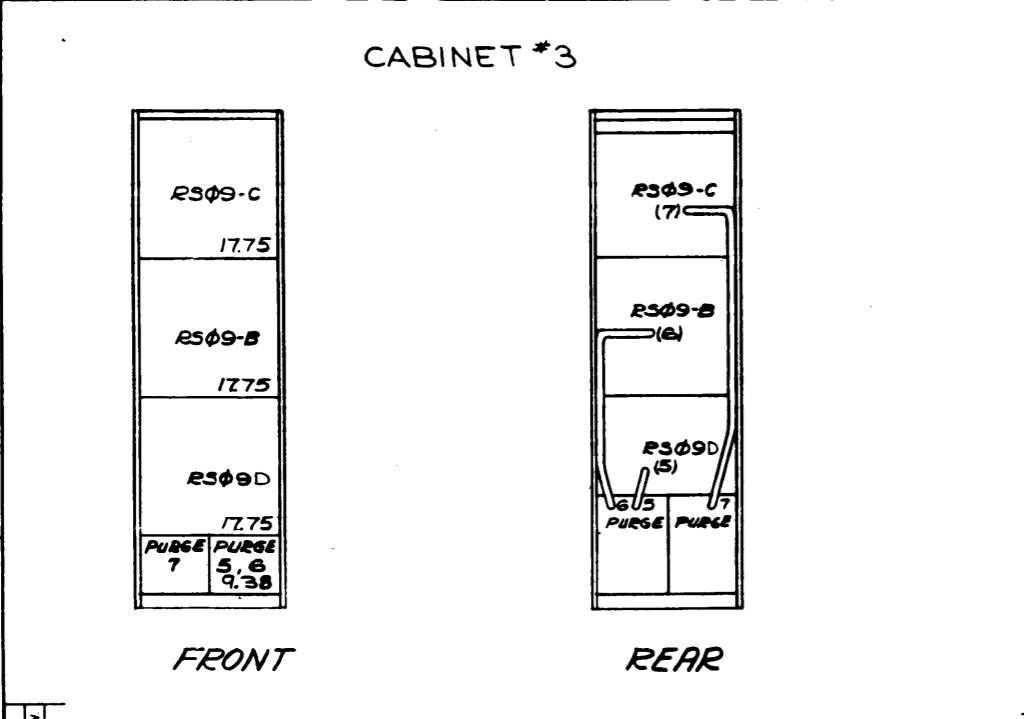
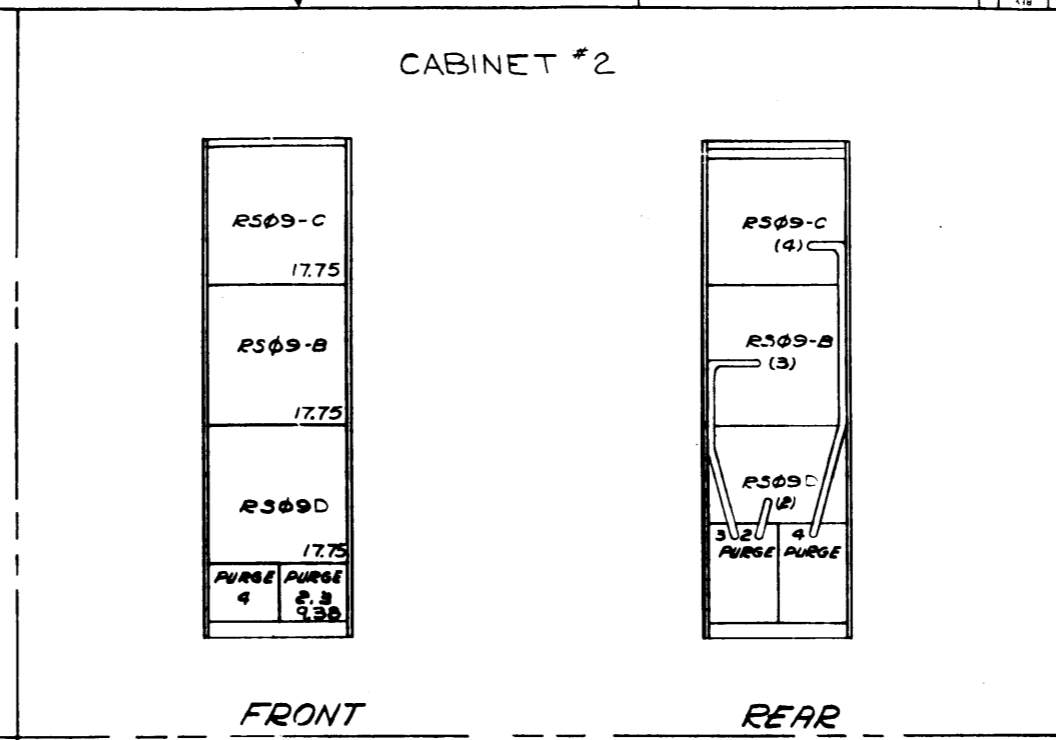
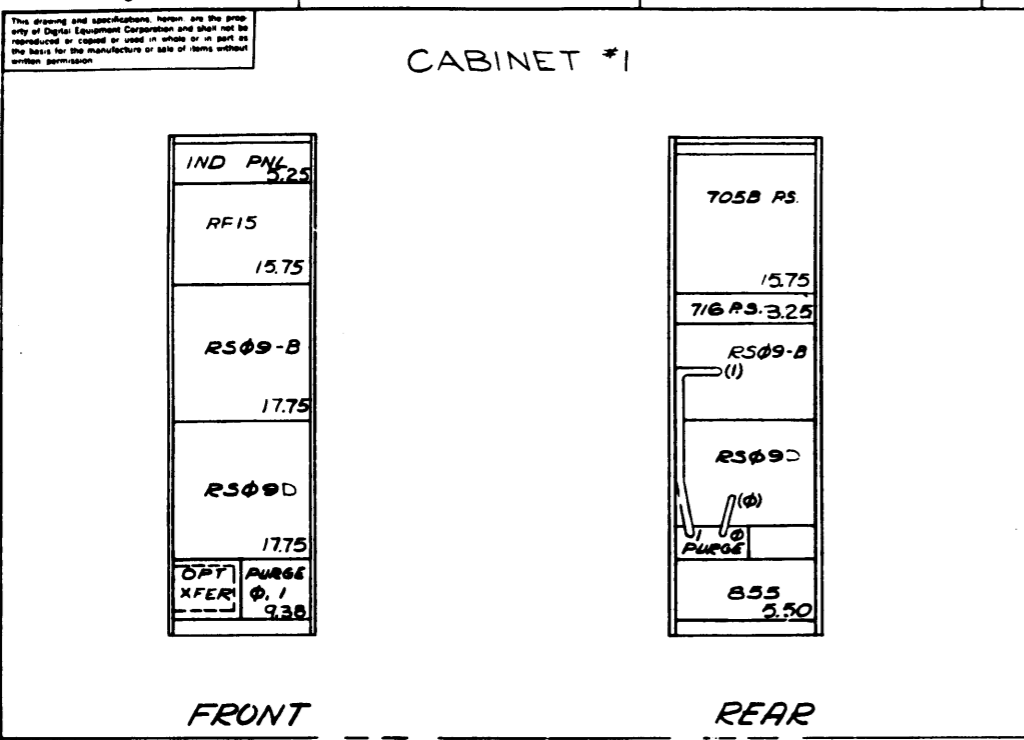
ELECTRICAL			DEPTH USAGE		
FIND NO	DESCRIPTION	PART NO	PROD	CUST	F C
1	DEC DISK CONTROL (RF15) RF15 RS09 APPRANGEMENT POWER WIRING AC DC MODULE UTILIZATION MODULE UTILIZATION (PL) WIPE LIST RF15 CONTROL TIMING DIAGRAM 1 RF15 CONTROL TIMING DIAGRAM 2 RF15 CONTROL TIMING DIAGRAM 3 RF15 CONTROL TIMING DIAGRAM 4 A. T. ERR DET AND REGEN B. C. D. TT ERR DET AND REGEN RF15 CONTROL 1 RF15 CONTROL 2 PROGRAM CONTROL 1 PROGRAM CONTROL 2 DCH CONTROL API CONTROL MAINTENANCE TT STATUS REGISTER DISK SELECTION DISK SEGMENT WORD ADDRESS DISK TRACK ADDRESS EQUAL COMPARISON GATING SHIFT REGISTER 1 SHIFT REGISTER 2 BUFFER REGISTER 1 BUFFER REGISTER 2 IOB SEL. 1 IOB SEL. 2 IOB SEL. 3 INDICATOR CABLES RF15 I/O DRIVER & RECEIVER 1 RF15 I/O DRIVER & RECEIVER 2 RF15 I/O DRIVER & RECEIVER 3 1 CYCLE DATA BREAK RF15 TO AND FROM RS09 RF15 I/O CABLE SELECTION PANEL CONNECTOR RS09-RF15 ADS REGISTER FLOW CHART RF15 ENG SPEC PART A RF15/09 ENG SPEC PART B RF15/09	A-ML-RF15-B D-AR-RF15-B-37 D-1C-RF15-B-35 D-MU-RF15-B-38 A-PL-RF15-B-38 K-WL-PF15-B-33 D-TD-PF15-B-TD1 D-TD-PF15-B-TD2 D-TD-PF15-B-TD3 D-TD-PF15-B-TD4 D-BS-RF15-B-01 D-BS-PF15-B-02 D-BS-PF15-B-03 D-BS-PF15-B-04 D-BS-PF15-B-05 D-BS-PF15-B-06 D-BS-PF15-B-07 D-BS-PF15-B-08 D-BS-PF15-B-09 D-BS-PF15-B-10 D-BS-PF15-B-11 D-BS-PF15-B-12 D-BS-PF15-B-13 D-BS-PF15-B-14 D-BS-PF15-B-15 D-BS-PF15-B-16 D-BS-PF15-B-17 D-BS-PF15-B-18 D-BS-PF15-B-19 D-BS-PF15-B-20 D-BS-PF15-B-21 D-BS-PF15-B-22 D-1C-15-B-23 D-PS-PF15-B-24 D-BS-PF15-B-25 D-BS-PF15-B-26 D-BS-PF15-B-27 D-1C-RF15-B-28 D-BS-PF15-B-29 D-BS-PF15-B-30 D-BS-PF15-B-31 D-BS-PF15-B-32 D-PS-PF15-B-33 D-PS-PF15-B-34 A-SP-RF15-B-41 D-AD-7006675-0-0 A-PL-7006675-0-0			
3.	WIRED ASSY (RF15) WIRED ASSY (RF15) (PL)	D-AD-7006675-0-0 A-PL-7006675-0-0			
6.	JUMPER PANEL ASSY (RF09)	D-AD-7006356-0-0			
9.	PANEL LEFT END ASSY CIRCUIT SCHEMATIC	C-AD-5408405-0-0 B-CS-5408405-0-1			
10.	INDICATOR PANEL P.S. 718 CIRCUIT SCHEMATIC 718	D-UA-718-0-0 B-CS-718-0-1			
13.	CIRCUIT SCHEMATIC	D-CS-5408458-0-1			
17.	CIRCUIT SCHEMATIC	C-CS-705-B-1			
18.	CIRCUIT SCHEMATIC	C-CS-855-B-1			

REV.	DATE	BY	CHKD
1	6-7-70	D. G. VONADA	
2	6-5-70	D. G. VONADA	
3	5-20-70	D. G. VONADA	
4	5-21-70	D. G. VONADA	
5	9-27-72	D. G. VONADA	
6	10-1-72	D. G. VONADA	

QTY.	DESCRIPTION	PART NO.	ITEM NO.
PARTS LIST			
UNLESS OTHERWISE SPECIFIED			
DIMENSIONS IN INCHES			
TOLERANCES			
DECIMALS FRACTIONS ANGLES			
± .005 ± 1/64 ± 90°			
FINAL SURFACE QUALITY			
REMOVE BURRS AND BREAK SHARP CORNERS			
MATERIAL			
FINISH			
DATE	DATE	DATE	DATE
12-3-69	1/16/70	1-23-70	1-23-70
DRAWING INDEX LIST RF15			
NEXT HIGHER ASSY (H40)			
D-DE-7006708-0-1			
SCALE	SCALE	SHEET	OF
1	1	1	1
DIGITAL EQUIPMENT CORPORATION			
MAYNARD MASSACHUSETTS			
D-DE-RF15-0-36			
REV. C			

This drawing and specifications herein are the property of Digital Equipment Corporation and shall not be reproduced or copied or used in whole or in part as the basis for the manufacture or sale of items without written permission.

NOTES:  
1. ALL DIM SHOWN ARE FOR REF ONLY! ONLY INDICATE APPROX SPACE USED.



REV	CHANGE NO

FIRST USED ON OPTION / MODEL  
RF15 / RS09

DO NOT SCALE DRAWING  
UNLESS OTHERWISE SPECIFIED  
DIMENSION IN INCHES  
TOLERANCES  
FINISH SURFACE QUALITY  
REMOVE BURRS AND BREAK SHARP CORNERS

QTY	DESCRIPTION	PART NO.	ITEM NO.
PARTS LIST			
digital EQUIPMENT CORPORATION MAYFORD MASSACHUSETTS			
TITLE <b>RF15 / RS09 ARRANGEMENT</b>			
NEXT HIGHER ASSY A-M-L-R-F-15-0		SCALE NONE	REV
SHEET 1 OF 1		DIST	

DRAWING NUMBER  
DIAR RF15-0-37

A







**DIGITAL EQUIPMENT CORPORATION**  
MAYNARD, MASSACHUSETTS  
**PARTS LIST**

MADE BY L. MCGEE  
 DATE 12/16/69  
 ENG S.B. Thanda  
 DATE 1-29-70  
 CHECKED *L. McGee* 1/22/70  
 DATE 12/16/69  
 PROPOSED TO *John* 1/22/70  
 DATE 1-29-70

ITEM NO.	DWG NO./PART NO. BASIC VAR.	DESCRIPTION	SECTION ISSUED SECT.
	G711	RF08 TERMINATOR BOARD	1
	M002	LOGIC 1 SOURCE	1
	M101	BUS DATA INTERFACE	1
	M104	IO BUS MULTIPLEXER	1
	M111	INVERTER	1
	M112	NOR GATE	1
	M113	TEN 2-INPUT NAND GATES	1
	M115	EIGHT 3-INPUT NAND GATES	1
	M117	SIX 4-INPUT NAND GATES	1
	M119	THREE 8-INPUT NAND GATES	1
	M121	AND/NOR GATES	1
	M149	DIODE GATE	1
	M207	GENERAL PURPOSE FLIP-FLOP	1
	M216	6 FLIP FLOPS	1
	M302	DUAL DELAY MULTIVIBRATOR	1
	<del>M310</del>	<del>DELAY LINE</del>	1
	M311	TAP DELAY	1
	M500	NEG INPUT CONVERTER	1
	M602	PULSE AMPLIFIER	1
	M627	NAND POWER AMPLIFIER	1
	M632	POS INPUT CONVERTER	1

TITLE MODULE UTILIZATION LIST RF15  
 ASSY NO. D-MU-RF15-0-38  
 SHEET 1 OF 2  
 SIZE CODE A PL  
 NUMBER RF15-0-38  
 REV E  
 ECO NO. RF15-00022

DEC FORM NO 16-1027  
 DRA 123

**DIGITAL EQUIPMENT CORPORATION**  
MAYNARD, MASSACHUSETTS  
**PARTS LIST**

MADE BY L. MCGEE  
 DATE 12/16/69  
 ENG S.B. Thanda  
 DATE 1-29-70  
 CHECKED *L. McGee* 1/22/70  
 DATE 12/16/69  
 PROPOSED TO *John* 1/22/70  
 DATE 1-29-70

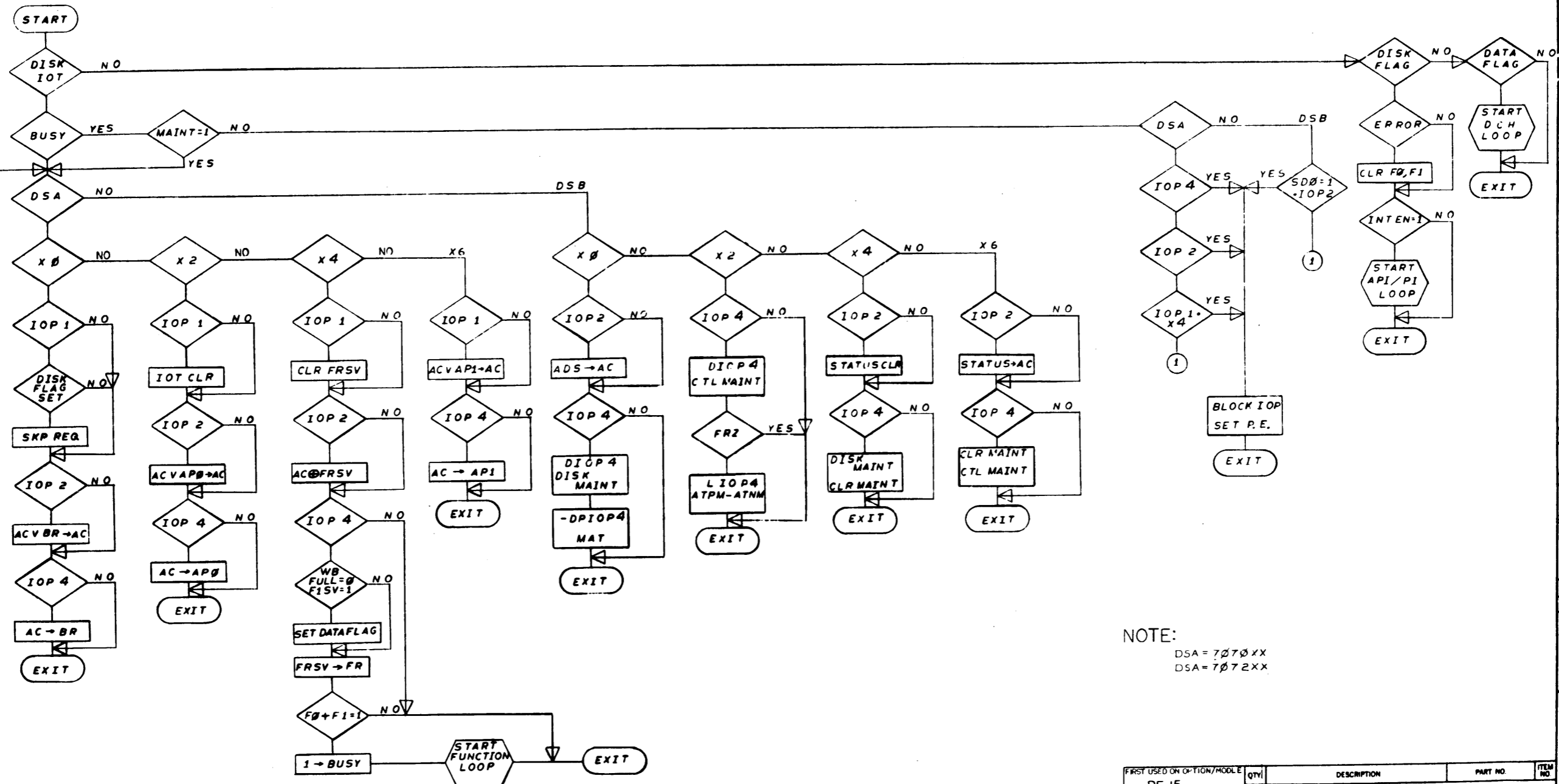
ITEM NO.	DWG NO./PART NO. BASIC VAR.	DESCRIPTION	SECTION ISSUED SECT.
	R303	INTERGRATING ONE SLOT	1
	G723	NEG BUS TERMINATOR RF09 DISK G723	1
	M622	BUS DRIVER	1
	M510	I/O BUS RECEIVER	1
	G916	POWER DETECTOR SWITCH-FILTER	1

TITLE MODULE UTILIZATION LIST (RF15)  
 ASSY NO. D-MU-RF15-0-38  
 SHEET 2 OF 2  
 SIZE CODE A PL  
 NUMBER RF15-0-38  
 REV E  
 ECO NO. RF15-00022

DEC FORM NO. 16-1027  
 DRA 123

CONTROL LOOP

The drawing and specifications herein are the property of Digital Equipment Corporation and shall not be reproduced or used in whole or in part, or by any means for the production or sale of items without written permission.



NOTE:  
DSA = 7070XX  
DSA = 7072XX

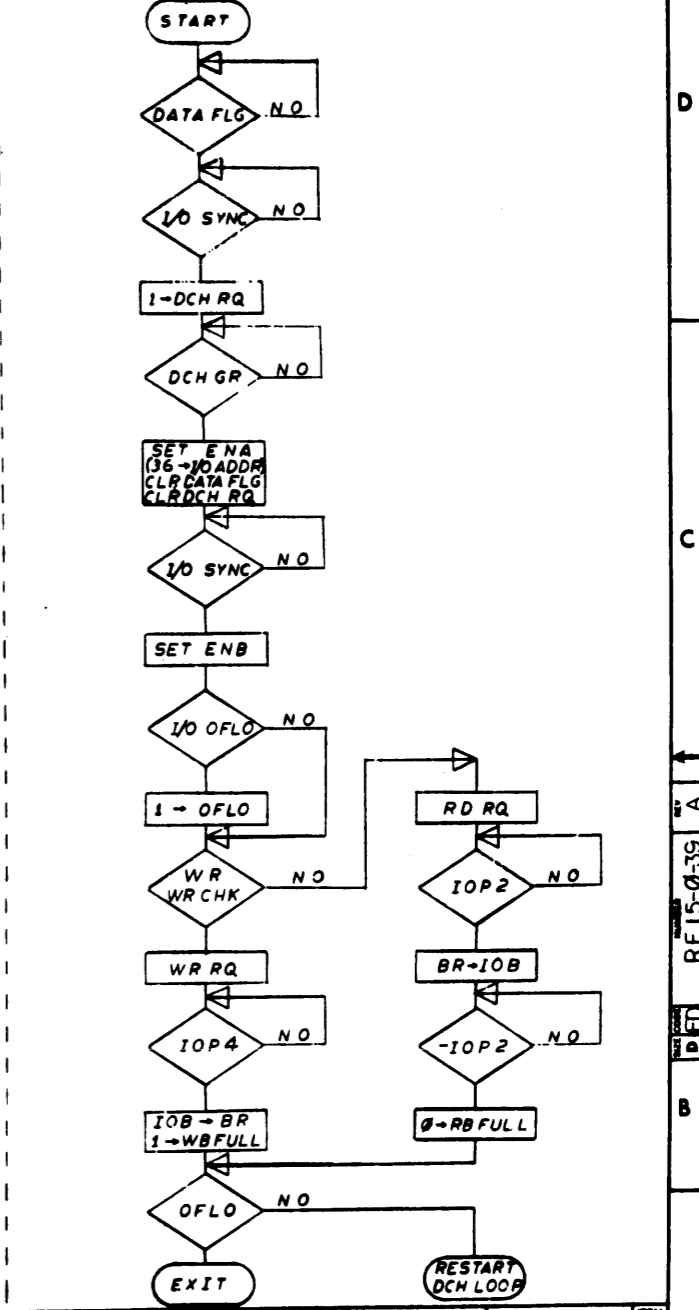
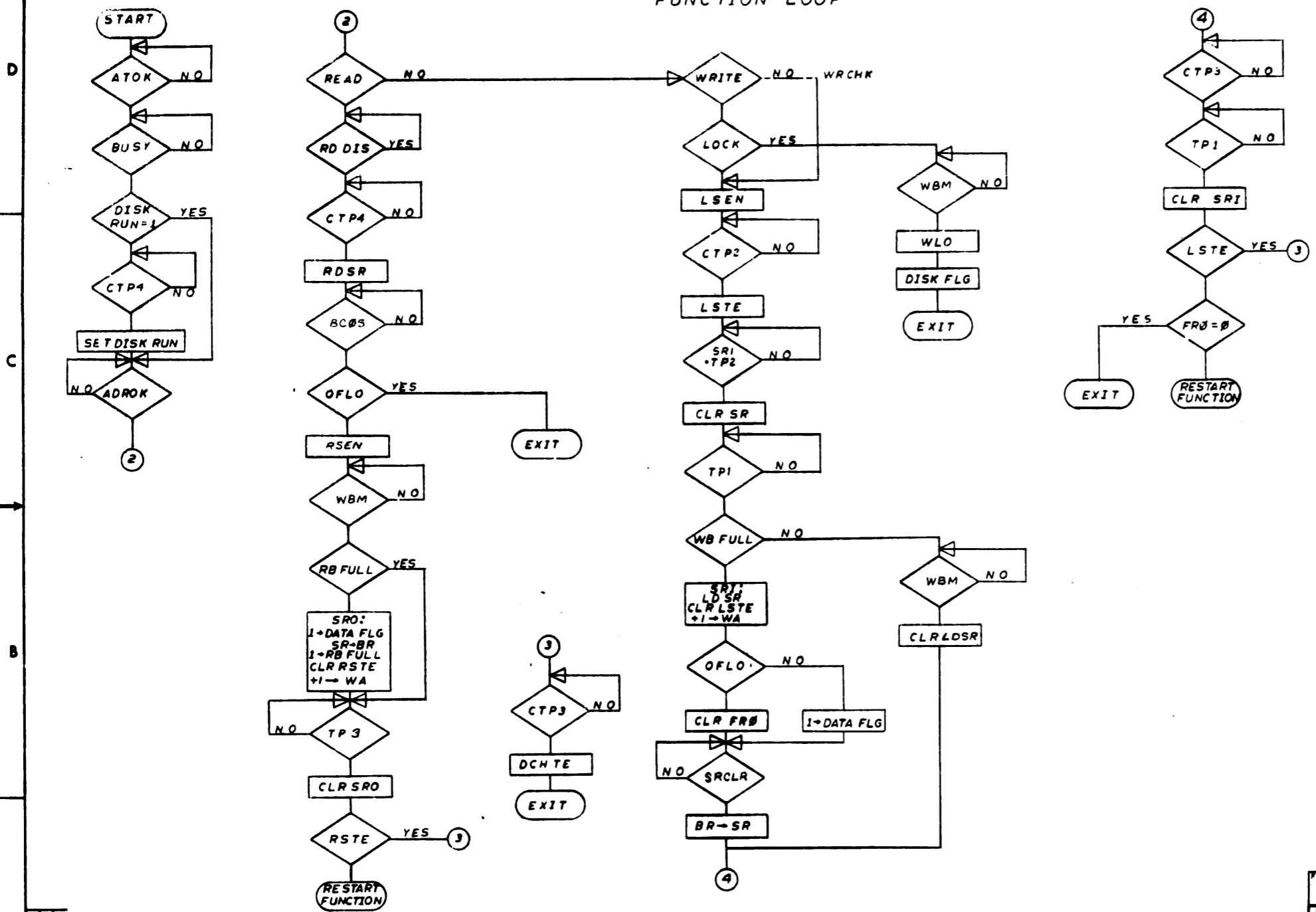
REV	CHG	NO	DATE	BY
A	1		2/4/70	S. J. ...
B	2		2/6/70	S. J. ...
C	3		2/9/70	S. J. ...

REV	CHG	NO	DATE	BY
A	1		2/4/70	S. J. ...
B	2		2/6/70	S. J. ...
C	3		2/9/70	S. J. ...

8 7 6 5 4 3 2 1  
D C B A  
REF ID: A6666666

FUNCTION LOOP

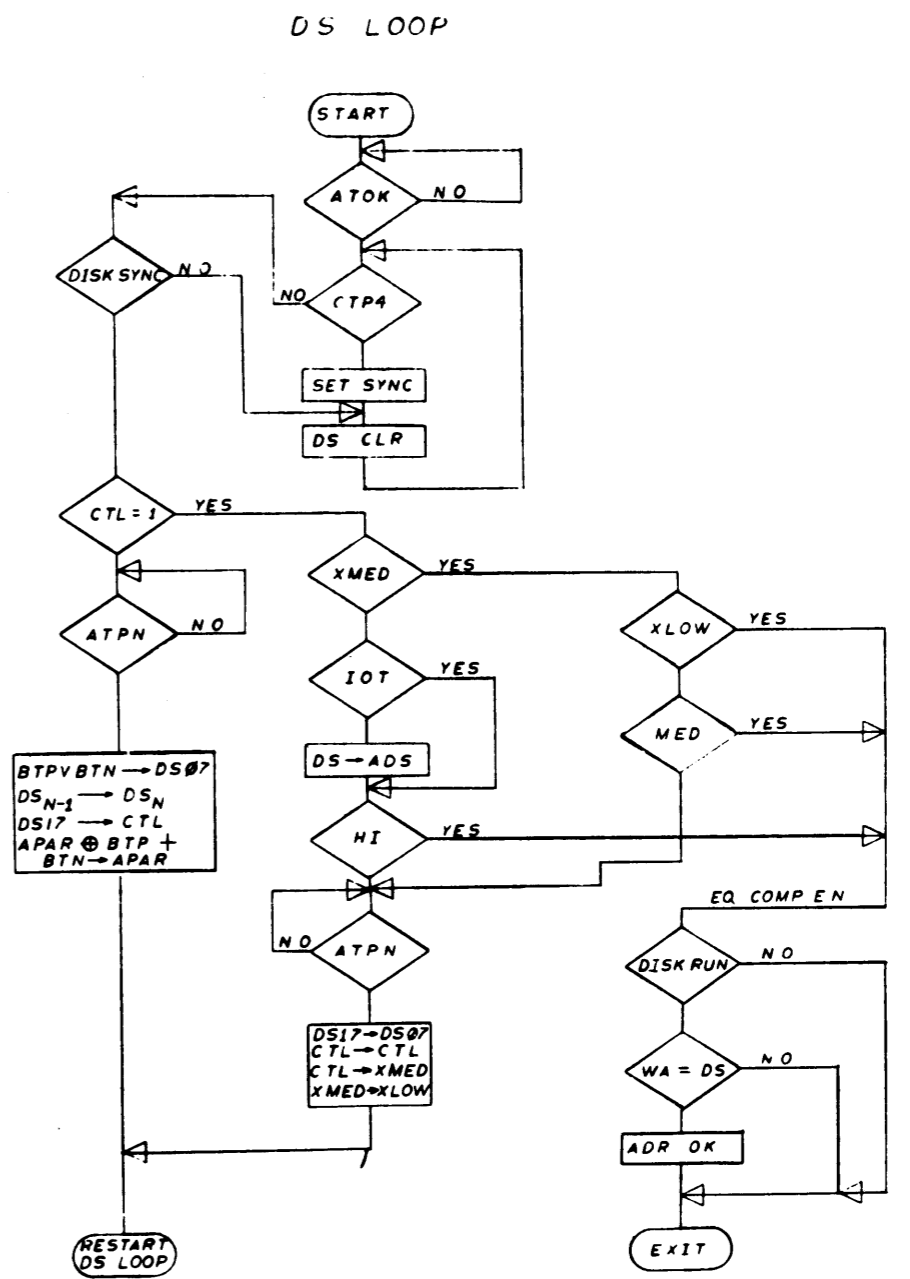
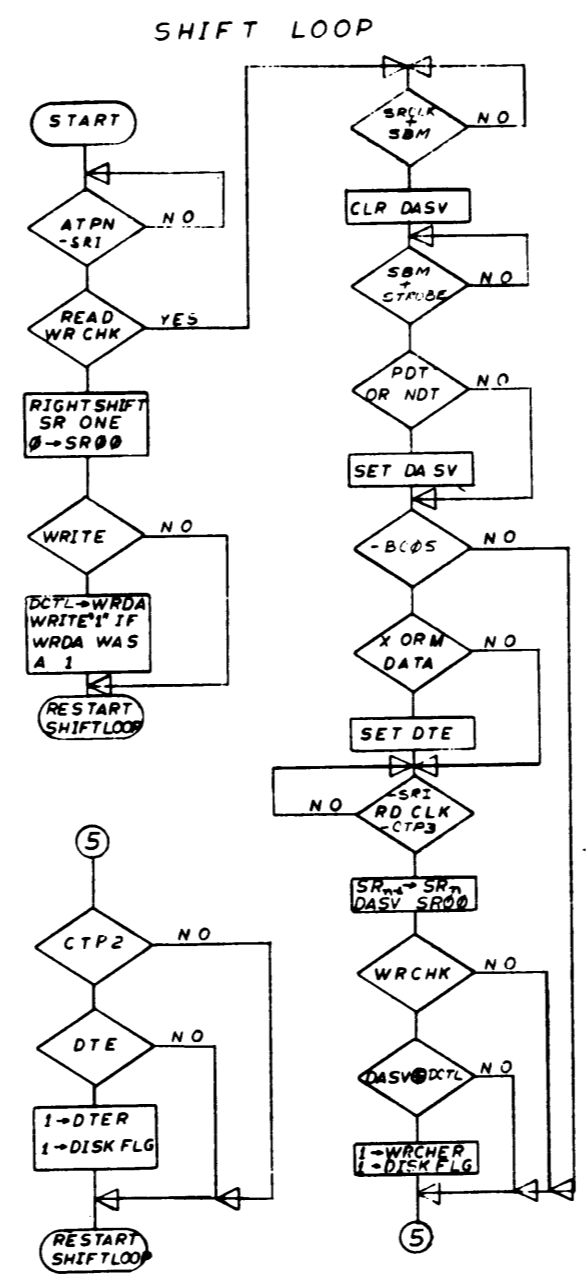
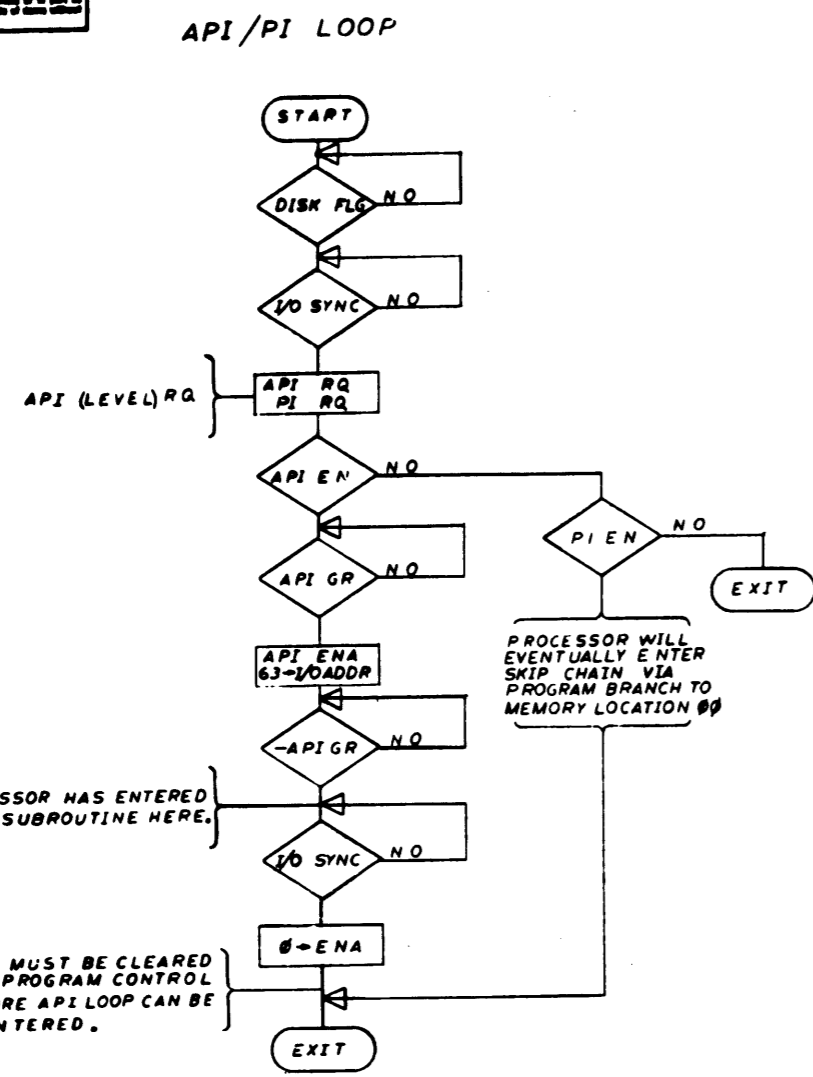
DCH LOOP



QTY.	DESCRIPTION	PART NO.	ITEM NO.
PARTS LIST			
EQUIPMENT CORPORATION METHUEN, MASSACHUSETTS			
TITLE FLOW DIAGRAM			
NEXT HIGHER ASSY A-ML-RF15-0		NUMBER DFD RF15-0-39	REV. A
SCALE NONE		EXT. 2	OF 3

REV. 1  
CHG. 1  
DATE

THIS DOCUMENT CONTAINS INFORMATION OF A CONFIDENTIAL NATURE AND IS TO BE KEPT SECRET UNLESS OTHERWISE SPECIFIED.

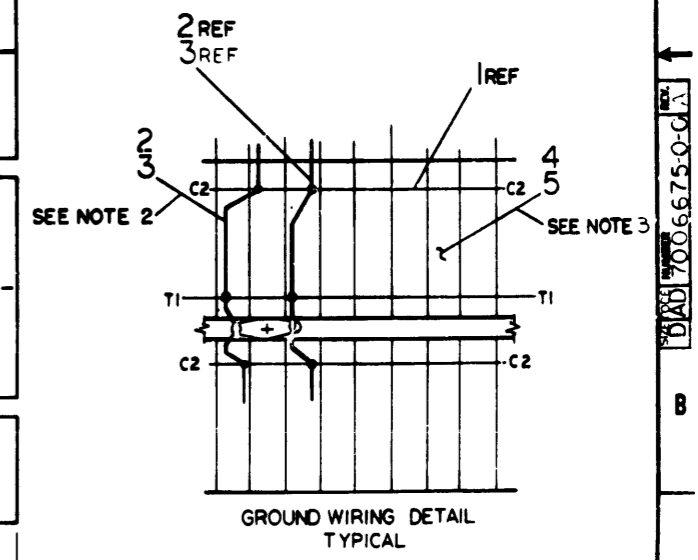
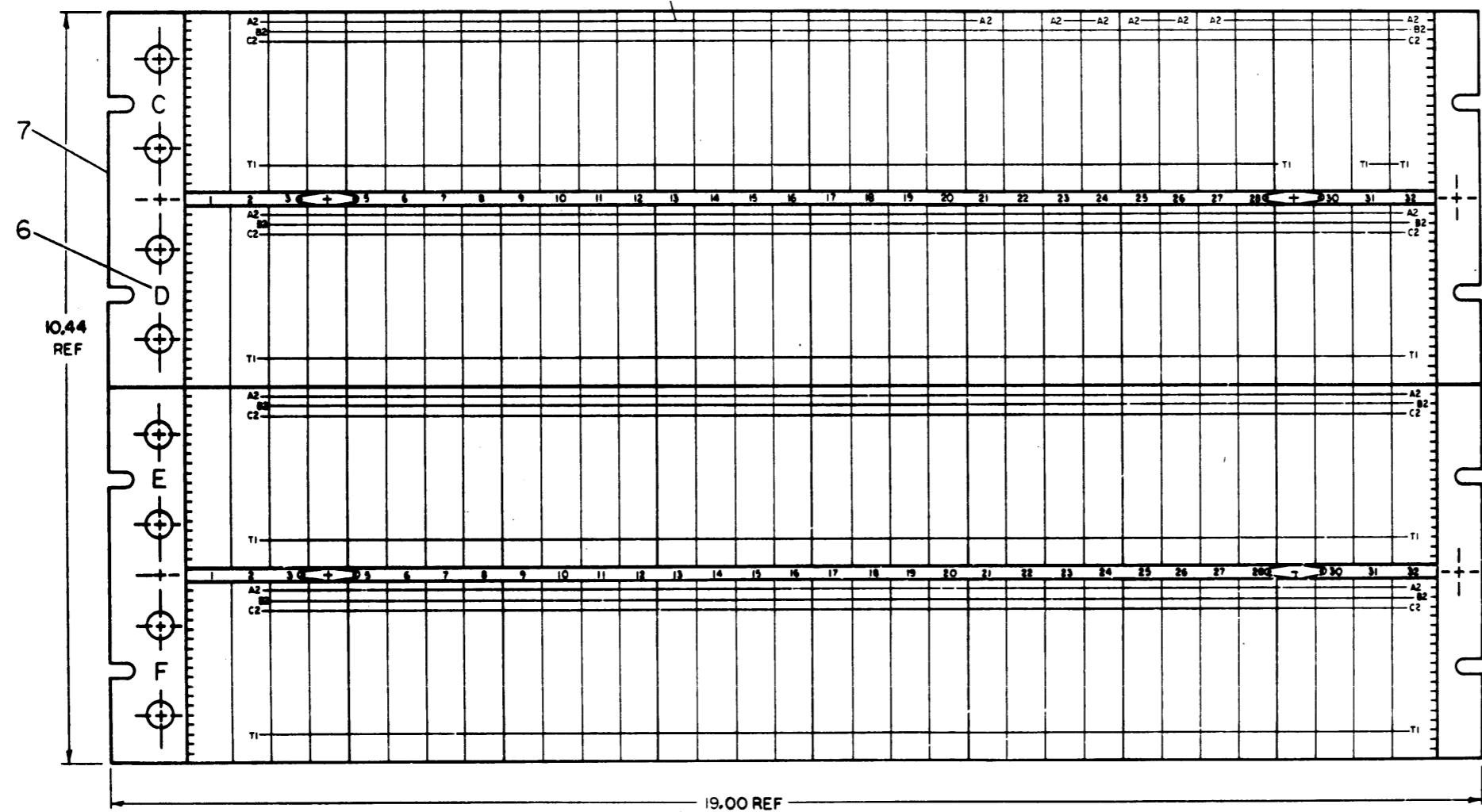


REV  
CHG  
CHANGE NO

FIRST USED ON OPTION/MODULE	QTY.	DESCRIPTION	PART NO.	ITEM NO.
RF 15				
PARTS LIST				
EQUIPMENT CORPORATION				
TITLE				
FLOW DIAGRAM				
A-ML-RF15-0				
NUMBER				
RF 15-0-39				
REV				
A				

DJAD 7006675-0-0 2 1

- NOTES:**
1. CONNECTIONS ON ITEM NUMBER 1 & 2 TO BE LOCATED AND SOLDERED AT MINIMUM PRACTICAL HEIGHT ABOVE BLOCKS.
  2. ALL CONNECTOR BLOCKS TO BE GROUNDED TO GROUND LUGS AS SHOWN, 4 PLACES
  3. USE YELLOW WIRE (ITEM #4) FOR MACHINE WRAPPED AND BLUE WIRE (ITEM #5) FOR HAND WRAPPED WIRING.
  4. THE ATTACHING BARS ARE HELD TO SIDE OF PANEL BY WASHERS (ITEM #11) AND SCREWS (ITEM #10).



REV.	DATE	BY	CHKD.
A	12/15/70	W. J. ...	F. ...
F. ...			

**TOLERANCES DECIMALS**

.XXX	± .005
.XX	± .02
.X	± .1

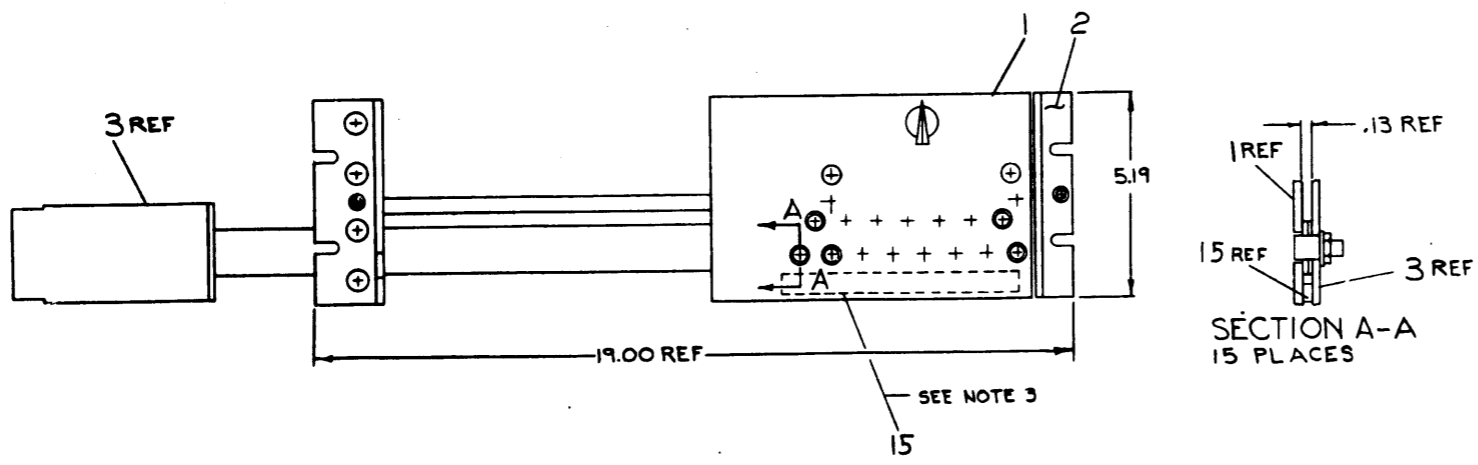
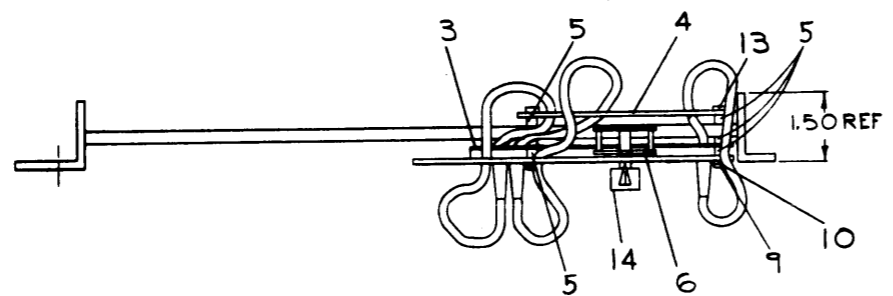
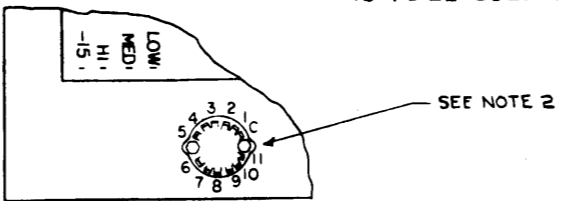
REV. 1	DATE 12/15/70	BY W. J. ...	CHKD. F. ...
PARTS LIST			
DESCRIPTION		PART NO.	
EQUIPMENT CORPORATION			
MILWAUKEE, WISCONSIN			
TITLE			
WIRED ASS'Y (RF15)			
SCALE NONE		REV. A	
SHEET 1 OF 1		D.J.A.D. 7006675-0-0	

0-0-96900Z (A) 2

WIRE TABLE							
ITEM NO	DESCRIPTION	AWG	COLOR	CONNECTIONS FROM	TO	EQUIP FROM WITH ITEMS	EQUIP TO WITH ITEMS
7	24	BLU	LOW	SI-1	A	A	
			MED	SI-2	A	A	
			HIGH	SI-3	A	A	
7	24		-15V	SI-6	A	A	
8		RES		SI-C	SI-6	A 11	A 11

- NOTES**
1. REMOVE ROLL PINS FROM ITEM #2 BEFORE ASSEMBLY
  2. REMOVE ONE FINGER FROM SWITCH STOP PLATE TO MAKE 3 POSITION SWITCH.
  3. 5-1/2 LENGTH FOAM TAPE FASTENED TO BOTTOM OF PANEL.

LETTER DESIGNATION "A" INDICATES WIRE IS TO BE SOLDERED PER ABOVE TABLE.



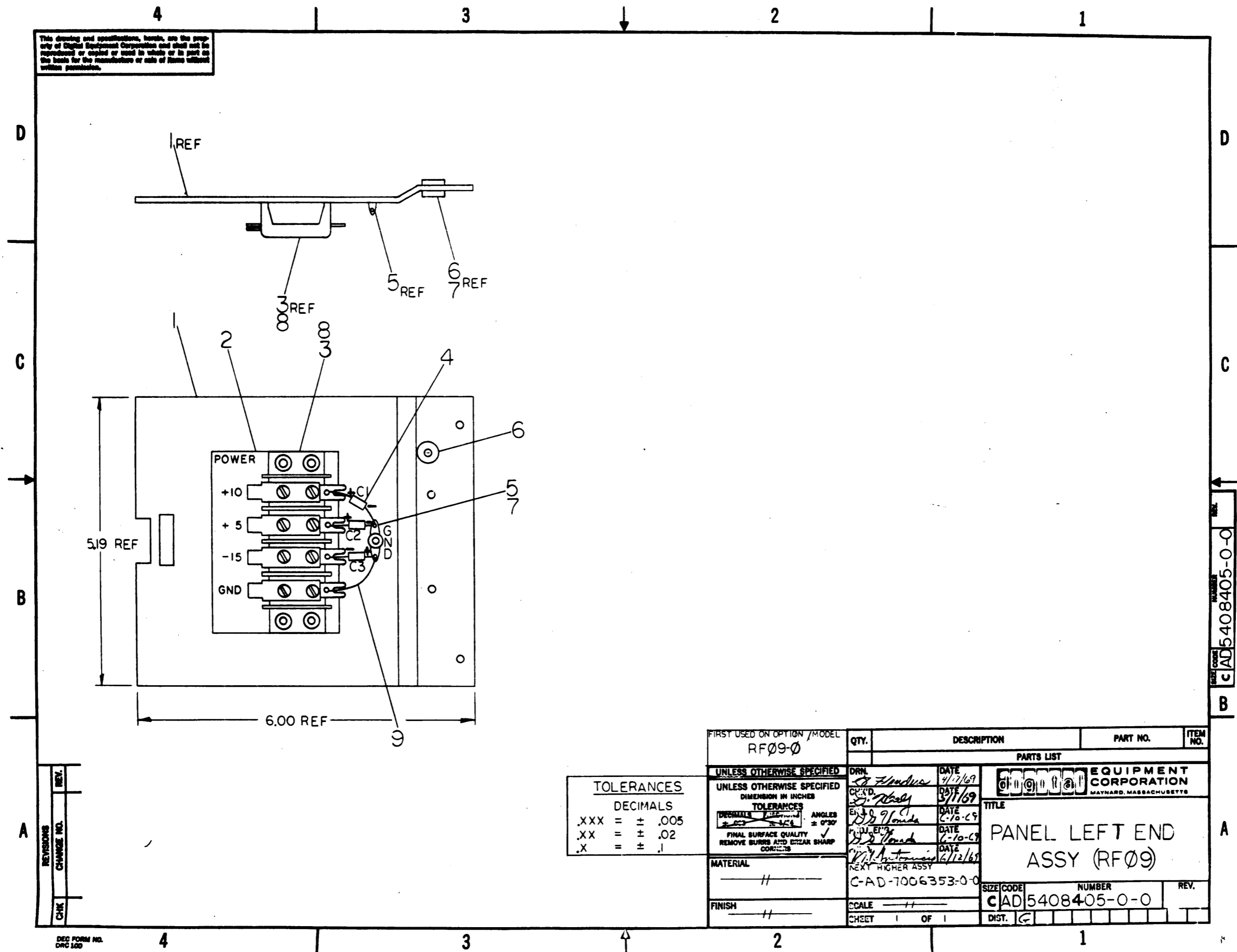
REV	DATE	BY	CHK	DESCRIPTION
1	10-16-69	D. VONADA		REVISED
2	11-12-69	D. VONADA		REVISED
3	1-6-73	D. VONADA		REVISED
4	9-22-73	D. VONADA		REVISED

**TOLERANCES**  
 DECIMALS  
 XXX ± .005  
 XX ± .02  
 X ± .1

FIRST USED ON OPTION MODEL	QTY.	DESCRIPTION	PART NO.	ITEM NO.
RF09				
UNLESS OTHERWISE SPECIFIED				
DIMENSIONS IN INCHES				
TOLERANCES				
DECIMALS	FRACTIONS	ANGLES		
± .005	± 1/64	± 0°		
FINAL SURFACE QUALITY				
REMOVE BURRS AND BREAK SHARP CORNERS				
MATERIAL				
FINISH				
NEXT HIGHER ASSY		D-UA-RF09-0-0		
SCALE		NONE		
SHEET		1 OF 1		
DIST.		C		
TITLE		JUMPER PANEL (ASSY) RF09		
SIZE/CODE		D AD 7006356-0-0		
MULTIPER		C		

REV. C  
PART NO. D AD 7006356-0-0

This drawing and specifications, herein, are the property of Digital Equipment Corporation and shall not be reproduced or copied or used in whole or in part as the basis for the manufacture or sale of items without written permission.



REV.	
CHANGE NO.	
CHK	

**TOLERANCES**

DECIMALS

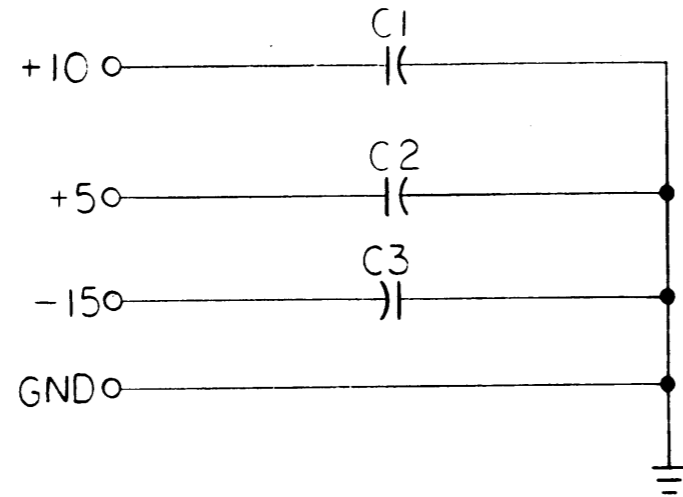
.XXX = ± .005

.XX = ± .02

.X = ± .1

FIRST USED ON OPTION / MODEL RF09-0	QTY.	DESCRIPTION	PART NO.	ITEM NO.
PARTS LIST				
UNLESS OTHERWISE SPECIFIED	DRN <i>A. F. Louisa</i>	DATE 4/7/69	<b>DIGITAL EQUIPMENT CORPORATION</b> MAYNARD, MASSACHUSETTS	
UNLESS OTHERWISE SPECIFIED DIMENSION IN INCHES	CP'D <i>D. J. Brady</i>	DATE 3/11/69		
TOLERANCES	EX'D <i>D. J. Brady</i>	DATE 6-10-69	<b>TITLE</b> PANEL LEFT END ASSY (RF09)	
DECIMALS ANGLES ± 0°30' FINAL SURFACE QUALITY REMOVE BURRS AND BREAK SHARP CORNERS	DATE 6/12/69 NEXT HIGHER ASSY C-AD-7006353-0-0	DATE 6-10-69		
MATERIAL //	SCALE //	CHEET	SIZE CODE C AD	NUMBER 5408405-0-0
FINISH //	OF	DIST.	REV.	

THIS SCHEMATIC IS FURNISHED ONLY FOR TEST AND MAINTENANCE PURPOSES. THE CIRCUITS ARE PROPRIETARY IN NATURE AND SHOULD BE TREATED ACCORDINGLY. COPYRIGHT BY DIGITAL EQUIPMENT CORPORATION



	PARTS LIST	A-PL-54084050-0
CI THRU C3	CAP. 6.8 MFD 35V 20%	1000067
REFERENCE DESIGNATION	DESCRIPTION	PART NO.

RF09-0

TRANSISTOR & DIODE CONVERSION CHART			
DEC	EIA	DEC	EIA



EQUIPMENT CORPORATION  
MAYNARD, MASSACHUSETTS

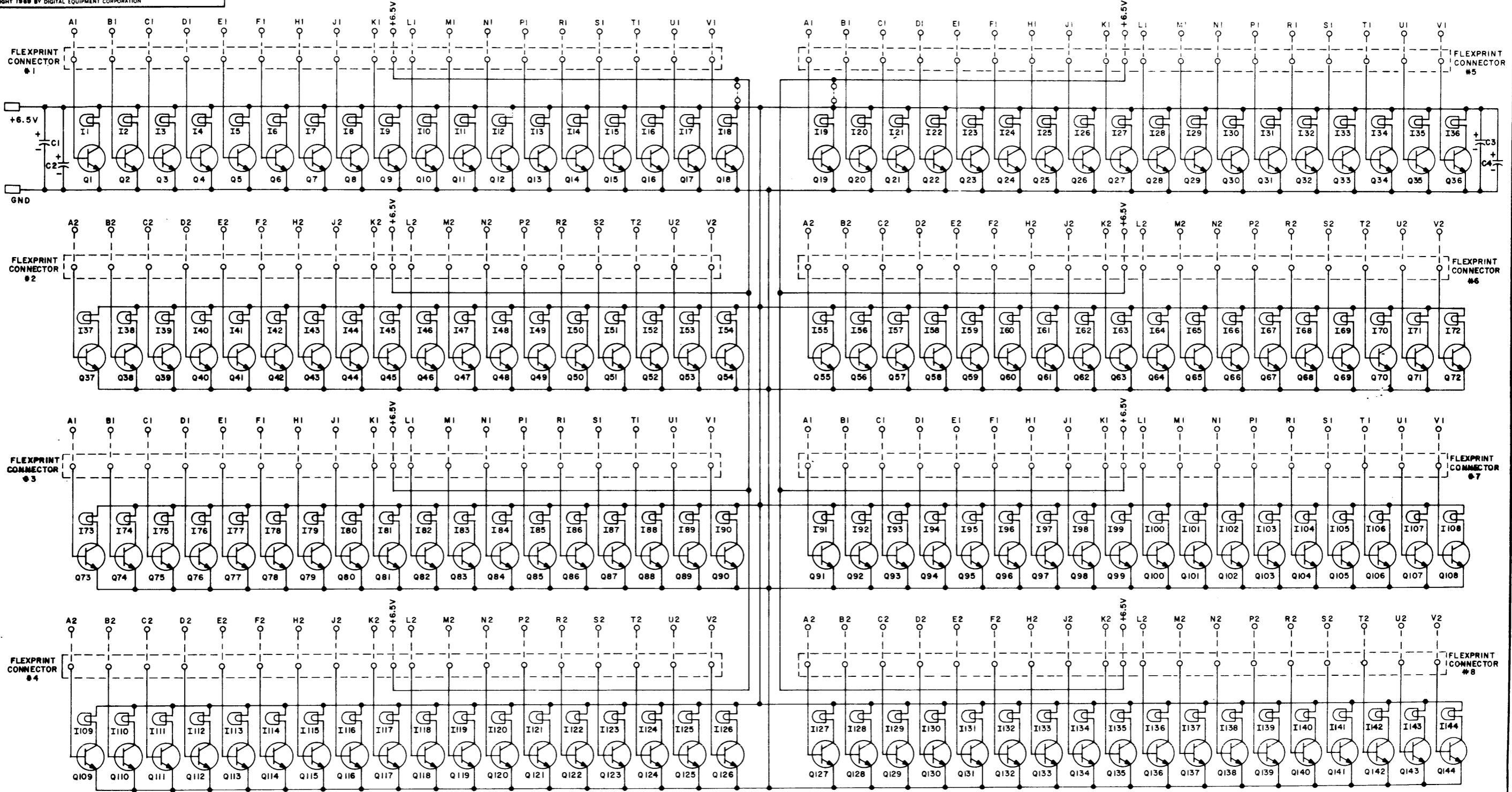
TITLE PANEL, LEFT END ASS'Y (RF09)			
SIZE B	CODE CS	NUMBER 5408405-0-1	REV.
PRINTED CIRCUIT REV.			

REVISIONS CHK CHG NO. REV.	DRN.	DATE
	CHK'D	DATE
	ENG.	DATE
	PROB.	DATE





THIS SCHEMATIC IS FURNISHED ONLY FOR TEST AND MAINTENANCE PURPOSES. THE CIRCUITS ARE PROPRIETARY IN NATURE AND SHOULD BE TREATED ACCORDINGLY. COPYRIGHT 1968 BY DIGITAL EQUIPMENT CORPORATION.



UNLESS OTHERWISE INDICATED:  
 TRANSISTORS ARE DEC3009B  
 O--O INDICATES JUMPER  
 CAPACITORS ARE 39MFD 10V 10%  
 LAMPS ARE I209219

REVISIONS	CHK	ENG	NO	REV
1			00001	A
2			00003	P

DRN	DATE	TRANSISTOR & DIODE CONVERSION CHART			
<i>M. Keller</i>	9-3-68	DEC	EIA	DEC	EIA
CHK'D	DATE	DEC3009B	2N3009		
<i>C. J. ...</i>	9-15-69				
DATE	9-17-67				
DATE					

**digital** TITLE PERIPHERAL INDICATOR PANEL 5408458

EQUIPMENT CORPORATION SIZE CODE NUMBER REV  
 D CS 5408458-0-1 P

PRINTED CIRCUIT REV

# MASTER DRAWING LIST

DWG. NO.	REV. LET.	NO OF SHEETS	TITLE
D-UA-RS09-0-0	D	1	262K 18 BIT DEC DISK
A-PL-RS09-0-0	D	2	262K 18 BIT DEC DISK (PARTS LIST)
D-DI-RS09-0-8	E	2	DWG. INDEX LIST RS09-0
A-ML-RS09-P-0	REF	1	CHASSIS ASSY WITH LOGIC
A-ML-RS08-M-0	REF	1	DISK ASSY 60 HZ
D-BS-RS09-0-1	A	1	CONTROL 1
D-BS-RS09-0-2		1	TRACK SELECT MATRIX 0
D-BS-RS09-0-3		1	TRACK SELECT MATRIX 1
D-BS-RS09-0-4	A	1	CONTPOL UNIT CONNECTORS
D-BS-RS09-0-5	A	1	CONTROL 2
K-WL-RS09-0-WL	C		WIPE LIST
D-MU-RS09-0-9	A	1	MODULE UTILIZATION
A-PL-RS09-0-9	A	1	MODULE UTILIZATION (PARTS LIST)
D-IC-RS09-0-7			LOC CHART-TRACK, HEAD, CABLE
D-IC-RF09-0-35	REF	3	POWER WIRING AC/DC
D-AR-RF09-0-37	REF	1	RFO9/RS09 ARRANGEMENT
A-WL-RS09-0-10		4	HAND WRAP WIRE LIST
C-WD-RS09-0-11	A	1	HAND WRAP ROUTING
A-SP-RS09-0-12		11	RS09 CALIBRATION PROCEDURE

MANUFACTURE OF SAME BY OTHERS WITHOUT WRITING PERMISSION

REVISIONS				DRN.	DATE	EQUIPMENT CORPORATION MAYNARD, MASSACHUSETTS			
REV.	DATE	CHG. NO.	APP'D.	D.Healy	7/69				
A	10/69	00004	D.V.	D.Healy	7/69	TITLE  262k 18 BIT DEC DISK (RS09) 60 HZ  SIZE CODE NUMBER REV A ML RS09-0 P			
B	12/69	00006	D.V.	D.G.Vonadr	7/69				
C	1/70	00008	D.V.	PROJ ENG	DATE				
D	1/70	00009	D.V.	D.G.Vonadr	7/69				
E	1/70	00010	D.V.	PROJ	DATE				
F	4/70	00012	D.V.	R.Anronocio	7/69				
H	5/70	00013	D.V.	FIRST USED ON					
J	5/70	00014	J.L.	RS09-0					
K	10/70	00018	D.V.	SCALE					
L	5/71	00019	D.V.	CHEST 1 OF 1					
M	9/71	00021	A.V.						
N	9/71	00022	✓						
P	4/73	00023	D.V.						

Returned to [Name] returned 5/17/71

# MASTER DRAWING LIST

DWG NO.	REV LET.	NO OF SHEETS	TITLE
D-UA-RS09-1-0	A	1	CHASSIS ASSY WITH LOGIC
A-PL-RS09-1-0	A	1	CHASSIS ASSY WITH LOGIC
D-DI-RS09-1-1	H	1	DWG INDEX LIST RS09-P-1
A-ML-RS09-0	REF	1	262 K 18 BIT DEC DISK
K-WL-RS09-0-VWL	C		WIRE LIST
D-MU-RS09-0-9	A	2	MODULE UTILIZATION
A-PL-RS09-0-9	A	2	MODULE UTILIZATION LIST
D-AD-7006357-0-0	#	1	WIRED ASSY
A-PL-7006357-0-0	#	1	WIRED ASSY P.L.
A-WT-7006357-0	#	1	RS09 AWT REVISION STATUS

REVISIONS				DRN	DATE	EQUIPMENT CORPORATION <small>MAYNARD MASSACHUSETTS</small>															
REV	DATE	CHG. NO	APP D.	D. HEALY	17/69																
A	10/69	RS09-4	D.V.	CHK D	DATE	TITLE CHASSIS ASSY WITH LOGIC (RS09)															
B	12/69	00006	D.V.	D. HEALY	17/69																
C	1/70	RS09-9	D.V.	ENG	DATE	<table border="1" style="width: 100%; border-collapse: collapse;"> <tr> <th>SIZE</th> <th>CODE</th> <th>NUMBER</th> <th>REV.</th> </tr> <tr> <td>A</td> <td>ML</td> <td>RS09-P</td> <td>K</td> </tr> <tr> <td colspan="3">SHEET 1 OF 1</td> <td>DIST</td> </tr> </table>				SIZE	CODE	NUMBER	REV.	A	ML	RS09-P	K	SHEET 1 OF 1			DIST
SIZE	CODE	NUMBER	REV.																		
A	ML	RS09-P	K																		
SHEET 1 OF 1			DIST																		
D	4/70	RS09P-1	J.J.	PROJ. ENG	DATE																
E	4/70	RS09P-3	D.V.	PROJ.	DATE																
F	5/70	00013	D.V.	PROJ.	DATE																
H	9/71	00021	A.V.	PROJ.	DATE																
J	4/72	RS09P-5	D.V.	FIRST USED ON																	
K	3/75	RS09P-6	D.V.																		

# DIGITAL EQUIPMENT CORPORATION

WAYNARD, MASSACHUSETTS

## PARTS LIST

MADE BY G. FLANDERS  
 CHECKED D. HEALY  
 DATE 6/30/69  
 DATE 7/2/69  
 PROD 1  
 DATE 7-2-69  
 SECTION ISSUED SECT. 1

ITEM NO.	DWG NO. / PART NO.	DESCRIPTION	QUANTITY / VARIATION
1	D-UA-RS08-M-0	DISK ASSY 60 HZ	1
1	D-UA-RS08-MA-0	DISK ASSY 50 HZ	1
2	D-UA-RS09-P-0	CHASSIS ASSY WITH LOGIC	1
3	E-AD-7006255-0-0	BLOWER FILTER	1
4	D-MD-7407235-0-0	PLATE, MTG BLOWER	1
5	A-AD-7006379-0-0	19" CAB ASSY	1
6	B-MD-7407013-0-0	SUPPORT	2
7	* D-AD-7006416-0-0	STEP DOWN TRANS ASSY	1
8	<del>D-UA-05-0-0</del>	<del>STEP DOWN TRANS ASSY</del>	<del>1</del>
9	A-DC-7406707-0-0	POWER PANEL DECAL (60 HZ)	1
9	A-DC-7406707-0-0	POWER PANEL DECAL (50 HZ)	1
* 10	C-MD-7407442-0-0	SPACER, CHASSIS SLIDES	A/R A/R
11	9007779	HOSE CLAMP 1-3/4	2
12	1209470	HOSE 1-1/2 I.D. #CMD#FT-3214-1 VAC-U-FLEX	A/R A/R
13	9007786	NUT, C31758-1032-27 TINNERMAN	26 26
14	9006073-3	SCR, PHL HD TRUSS #10-32 x 1/2 SST	26 26
15	9007651	WASH, EXT TOOTH #10	26 26
16	9006368	SCR, SOC HD CAP #1-20 x 1/4 SST	4 4
17	9006056-3	SCR PH HD TRUSS #1-20 x 1/4 SST	6 6
18	9006724	WASH, EXT TOOTH 1/4 I.D.	6 6
REF	D-AR-RF09-0-37	RF09/RS09 ARRANGEMENT DWG	X X

\* NOT A PRODUCTION PART--SEE NOTE 3 ON ASSY D-UA-RS09-0-0  
 TITLE 262K 18 BIT DEC DISK (RS09)  
 SIZE CODE A PL  
 ASSY NO. D-UA-RS09-0-0  
 NUMBER RS09-0-0  
 REV. ECO NO. D RS09-00019  
 SHEET 1 OF 2 DIST. G

DEC FORM NO. DRA 110

X

# DIGITAL EQUIPMENT CORPORATION

WAYNARD, MASSACHUSETTS

## PARTS LIST

MADE BY G. Flanders  
 CHECKED D. Healy  
 DATE 6/30/69  
 DATE 7/2/69  
 PROD 1  
 DATE 7-2-69  
 SECTION ISSUED SECT. 1

ITEM NO.	DWG NO. / PART NO.	DESCRIPTION	QUANTITY / VARIATION
<del>20</del>	<del>C-IA-7005266-1</del>	<del>Cable to Filter (Female)</del>	<del>1</del>
<del>21</del>	<del>C-IA-7005266-2</del>	<del>Cable to Filter (Male)</del>	<del>1</del>
21	C-IA-7005820-4-0	Cable W021 to W011 9 FT Long	4 4
22	B-5100	PANEL BLANK 7402025	1 1
23	9107682	CABLE BRAIDED 5/8" x 10 FT LG FELDEN 8672	1 1
24	9107245-00	TUBING 3/8" x 10 FT LC PLK	1 1
25	9007926	CONNECTOR #50321 ARKLESS	2 2
26	9007880	TIEWRAP PANDUIT SST 1.5M	2 2
27	C-IA-7006481-3-0	POWER CORD	1 1
28	D-IA-7409012-0-0	FILTER	1 1
29	D-IA-7409013-0-0	FILTER FRAME	1 1
30	9006022-1	SCR, PHL HD PAN #6-32 X 3/8 SST	2 2

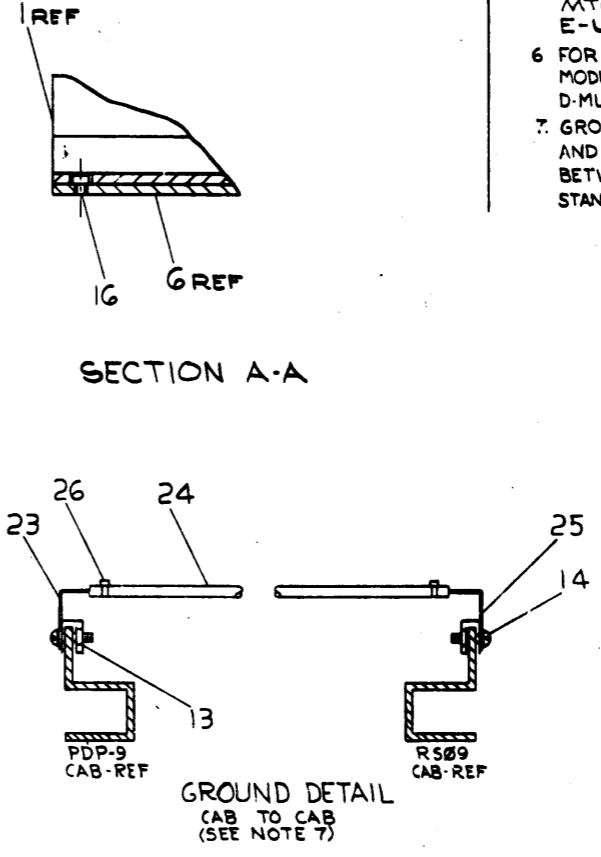
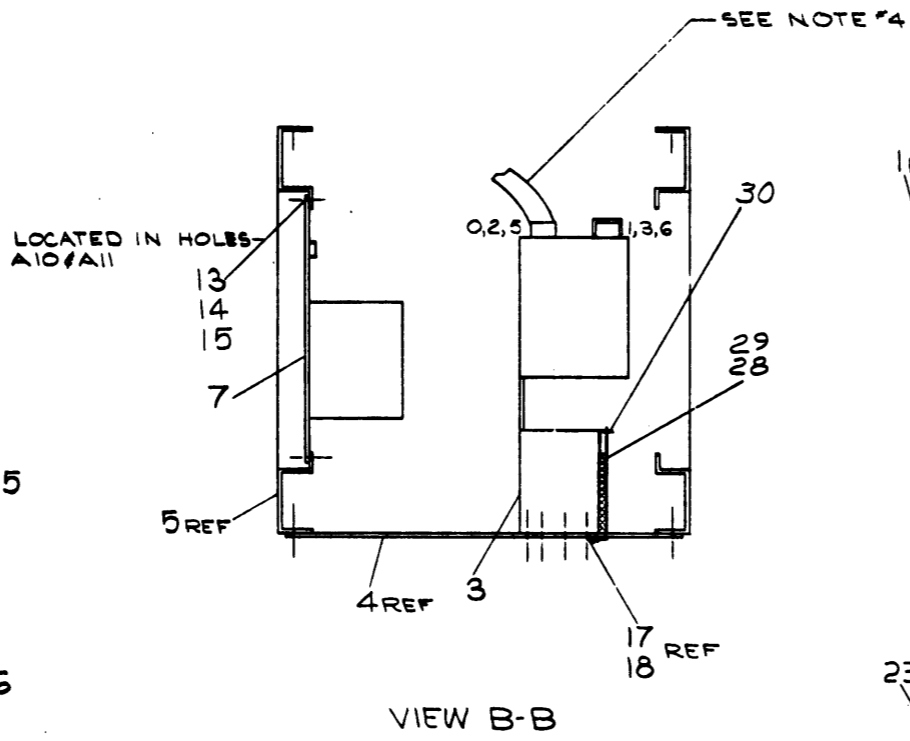
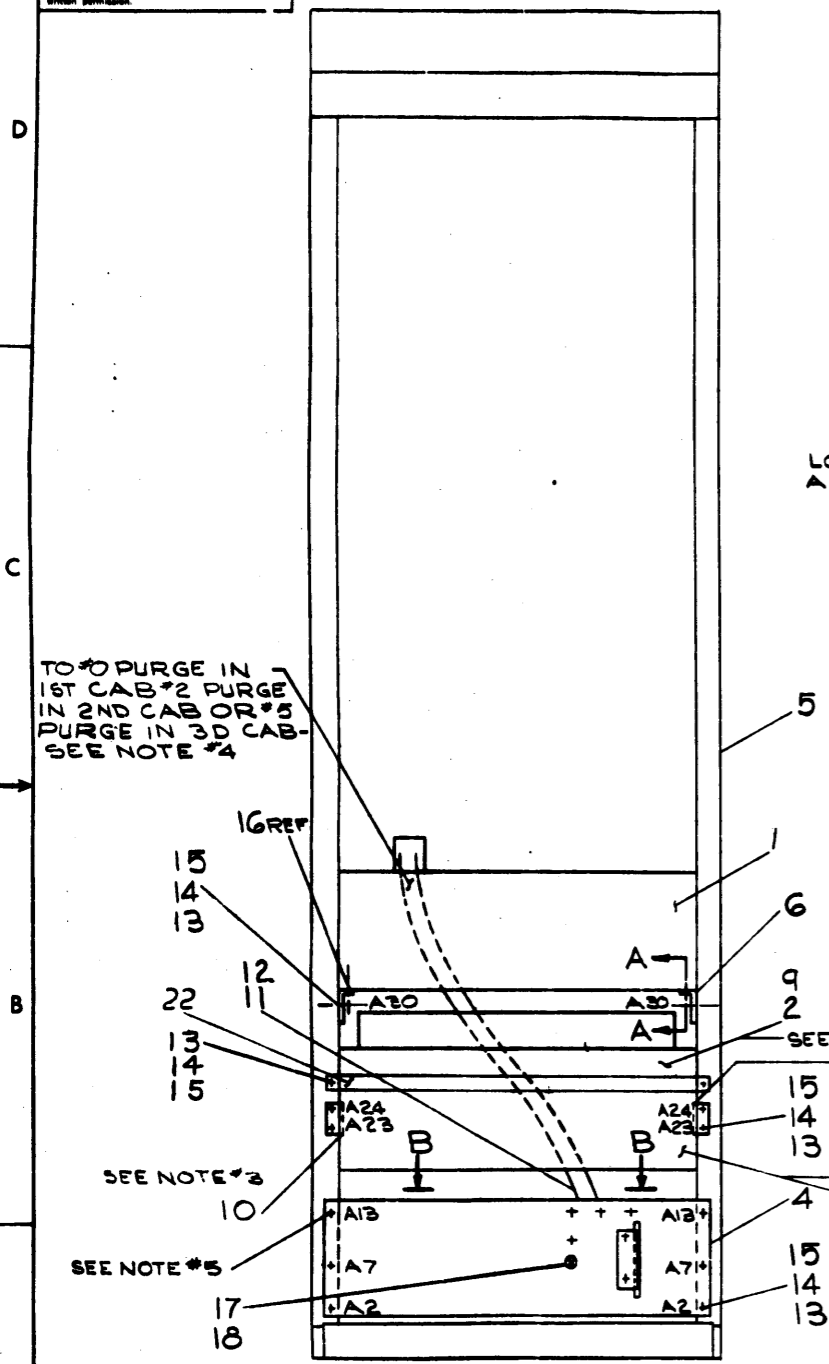
\* USE ONLY ON FIRST CAB, 240 VOLTS ONLY  
 TITLE 262K 18BIT DEC DISK (RS09)  
 SIZE CODE A PL  
 ASSY NO. D-UA-RS-09-0-0  
 NUMBER RS09-0-0  
 REV. ECO NO. D RS09-00019  
 SHEET 2 OF 2 DIST. G

This drawing and specifications, herein, are the property of Digital Equipment Corporation and shall not be reproduced or copied or used in whole or in part as the basis for the manufacture or sale of items without written permission.

LEGEND	
NUMBER	VARIATION
RS09-0	60 HZ
RS09-A	50 HZ

NOTES:

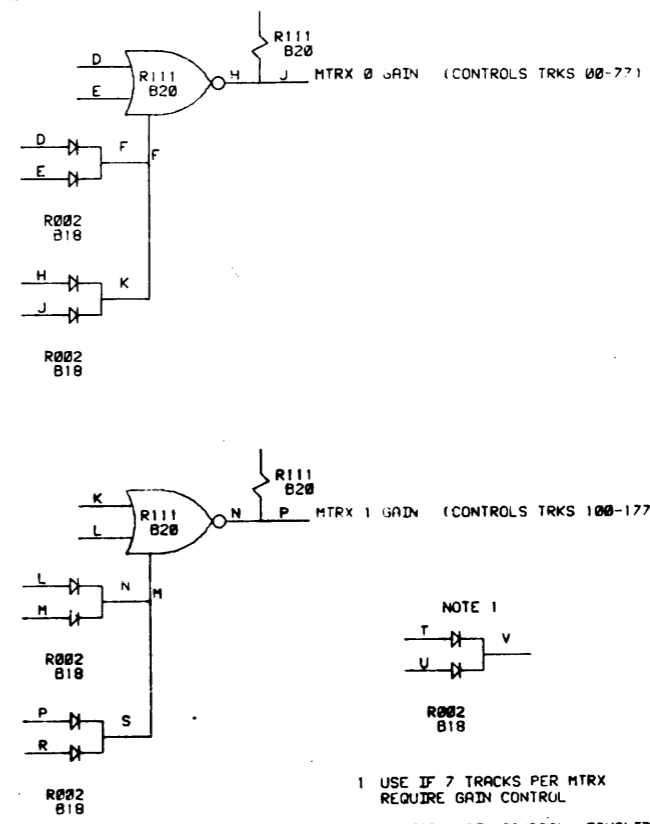
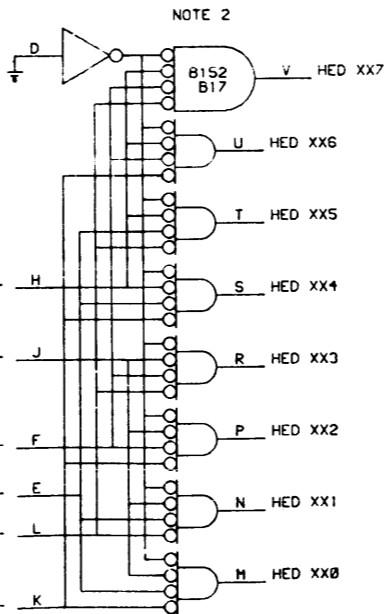
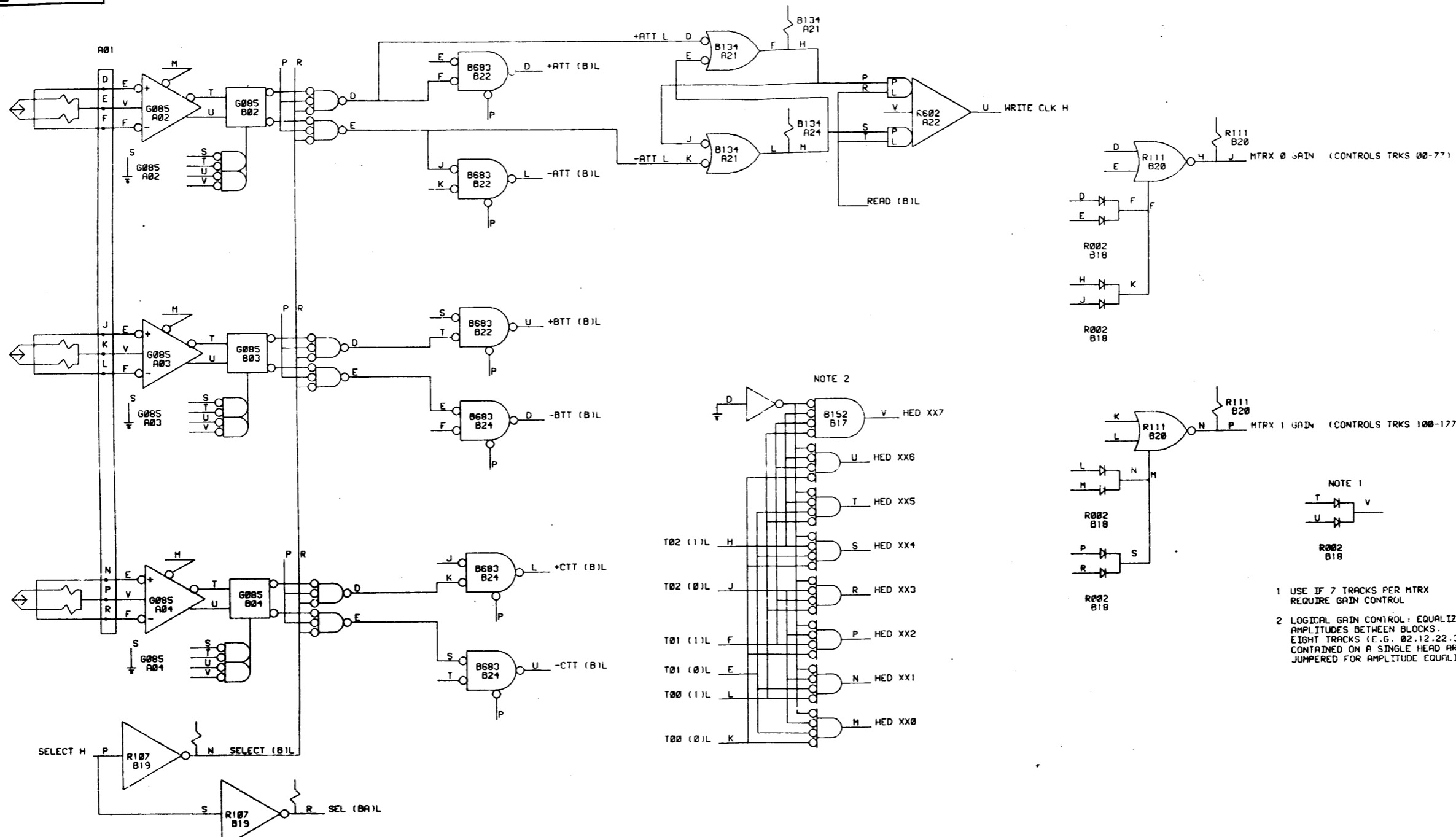
- FOR DWG INDEX LIST REFER TO DWG D-DI-RS09-0-8.
- PLACE PROPER DECAL ITEM #9 (50 OR 60 HZ) IN SILK SCREENED SQUARE BOX AT REAR OF CHASSIS ASS'Y.
- IF CABINETS ARE MADE OVER SIZE SPACER ITEM #10 SHALL BE USED ON EITHER ONE END OR BOTH ENDS UNDER CHASSIS SLIDES.
- REMOVE CAP & ATTACH HOSE ITEM #12 TO PURGE #00R #2 OR #5 - REFER TO RF09/RS09 ARRANGEMENT DWG #D-AR-RF09-0-37.
- INDICATES LOCATIONS FOR MTG ITEMS 4, 6, 7 - SEE DWG# E-UA-H950-A-0 SHEET #2.
- FOR CABLE ORIENTATION REFER TO MODULE UTILIZATION #D-MU-RS09-0-5 & D-MU-RF09-0-33.
- GROUND STRAP WITH BLACK TUBING AND TIEWRAPS TO BE CONNECTED BETWEEN COMPUTER CAB AND FREE STANDING RS09 CAB.



REV	CHG	NO.	DATE	BY	CHKD
A		1	11-1-70	D. VONADA	
B		2	11-1-70	D. VONADA	
C		3	11-1-70	D. VONADA	
D		4	11-1-70	D. VONADA	
E		5	11-1-70	D. VONADA	
F		6	11-1-70	D. VONADA	
G		7	11-1-70	D. VONADA	
H		8	11-1-70	D. VONADA	
I		9	11-1-70	D. VONADA	
J		10	11-1-70	D. VONADA	
K		11	11-1-70	D. VONADA	
L		12	11-1-70	D. VONADA	
M		13	11-1-70	D. VONADA	
N		14	11-1-70	D. VONADA	
O		15	11-1-70	D. VONADA	
P		16	11-1-70	D. VONADA	
Q		17	11-1-70	D. VONADA	
R		18	11-1-70	D. VONADA	
S		19	11-1-70	D. VONADA	
T		20	11-1-70	D. VONADA	
U		21	11-1-70	D. VONADA	
V		22	11-1-70	D. VONADA	
W		23	11-1-70	D. VONADA	
X		24	11-1-70	D. VONADA	
Y		25	11-1-70	D. VONADA	
Z		26	11-1-70	D. VONADA	
AA		27	11-1-70	D. VONADA	
AB		28	11-1-70	D. VONADA	
AC		29	11-1-70	D. VONADA	
AD		30	11-1-70	D. VONADA	
AE		31	11-1-70	D. VONADA	

QTY.	DESCRIPTION	PART NO.	ITEM NO.
	PARTS LIST		
	EQUIPMENT CORPORATION MAYFIELD, MASSACHUSETTS		
	TITLE 262 K 18 BIT DEC DISK (RS09)		
	NEXT HIGHER ASSY A-ML-RS09-0		
	SCALE NONE		
	SHEET 1 OF 1		
	DIA RS09-0-0		
	DST. 15		

This drawing and specifications, herein, are the property of Digital Equipment Corporation and shall not be reproduced, stored in a retrieval system, or transmitted in any form or by any means, electronic, mechanical, photocopying, recording, or by any information storage and retrieval system, without the prior written permission of Digital Equipment Corporation.

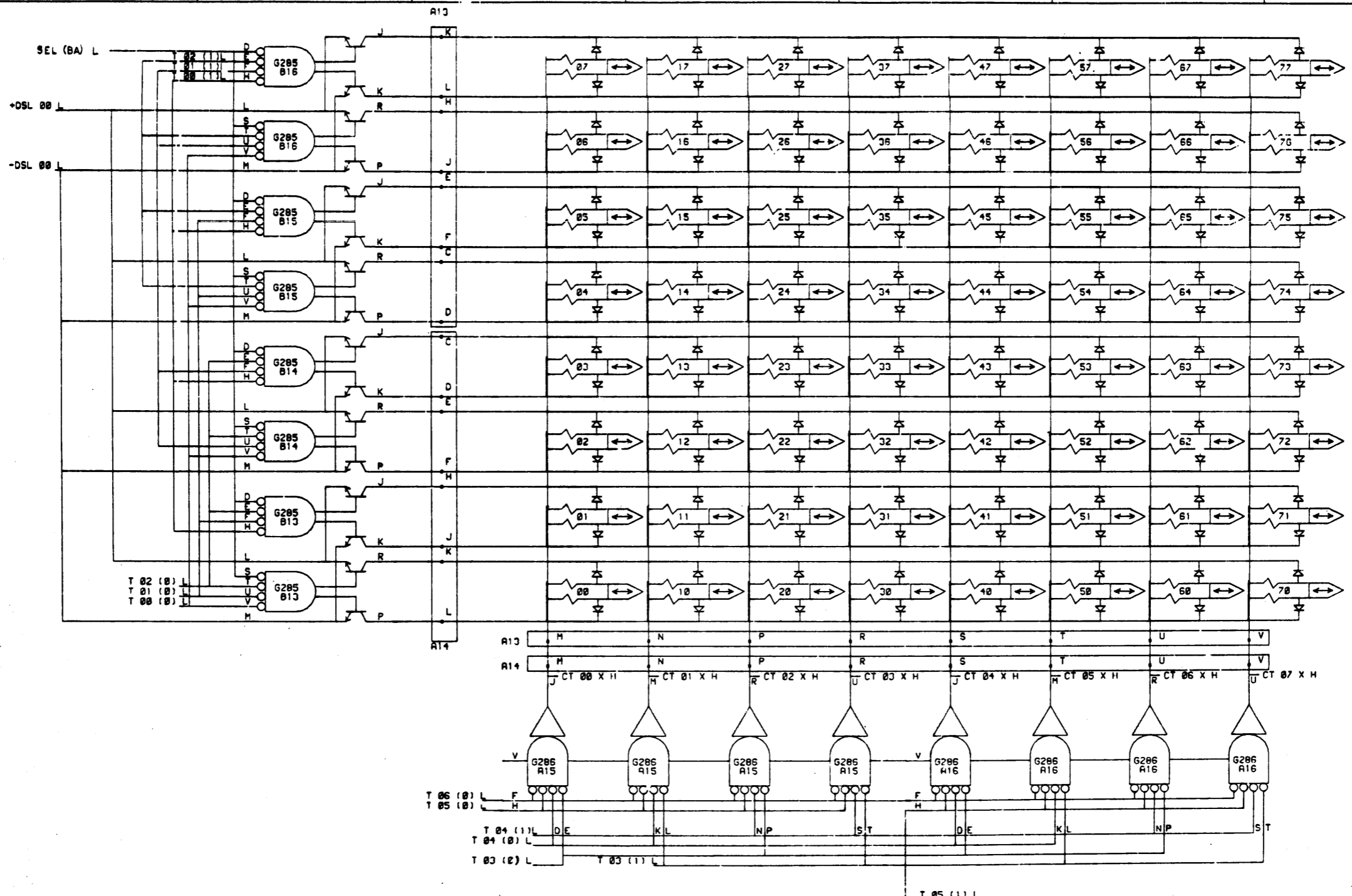


- 1 USE IF 7 TRACKS PER MTRX REQUIRE GAIN CONTROL
- 2 LOGICAL GAIN CONTROL: EQUALIZES AMPLITUDES BETWEEN BLOCKS. EIGHT TRACKS (E.G. 02, 12, 22, 32, 42, 52, 62, 72) CONTAINED ON A SINGLE HEAD ARE JUMPERED FOR AMPLITUDE EQUALIZATION

REV	CHANGE NO.	REL
1	RS09-00018	A
	Handwritten: 8/22/69	
	Handwritten: 8/22/69	

DATE	DATE	EQUIPMENT CORPORATION MAYFIELD MASSACHUSETTS
9/22/69	9/22/69	
DESIGNER: K. BOGGS	DATE: 9/22/69	TITLE: CONTROL 1
DRAWN: M. RHEAULT	DATE: 9/22/69	
CHECKED: E. KING	DATE: 9/22/69	
APPROVED: D. VONNORA	DATE: 9/22/69	
BY: E. TOMPKINS	DATE: 9/22/69	
FIRST USED ON: RS09	SIZE CODE: D BS	NUMBER: RS09-0-1
SCALE: SHEET 1 OF 1	DIST.	REV. A

ALL SYMBOLS AND CONNECTIONS SHOWN ARE TO BE USED IN THE FIELD. THE USER SHALL BE RESPONSIBLE FOR THE CORRECTNESS OF THE CONNECTIONS SHOWN. THE USER SHALL BE RESPONSIBLE FOR THE CORRECTNESS OF THE CONNECTIONS SHOWN.

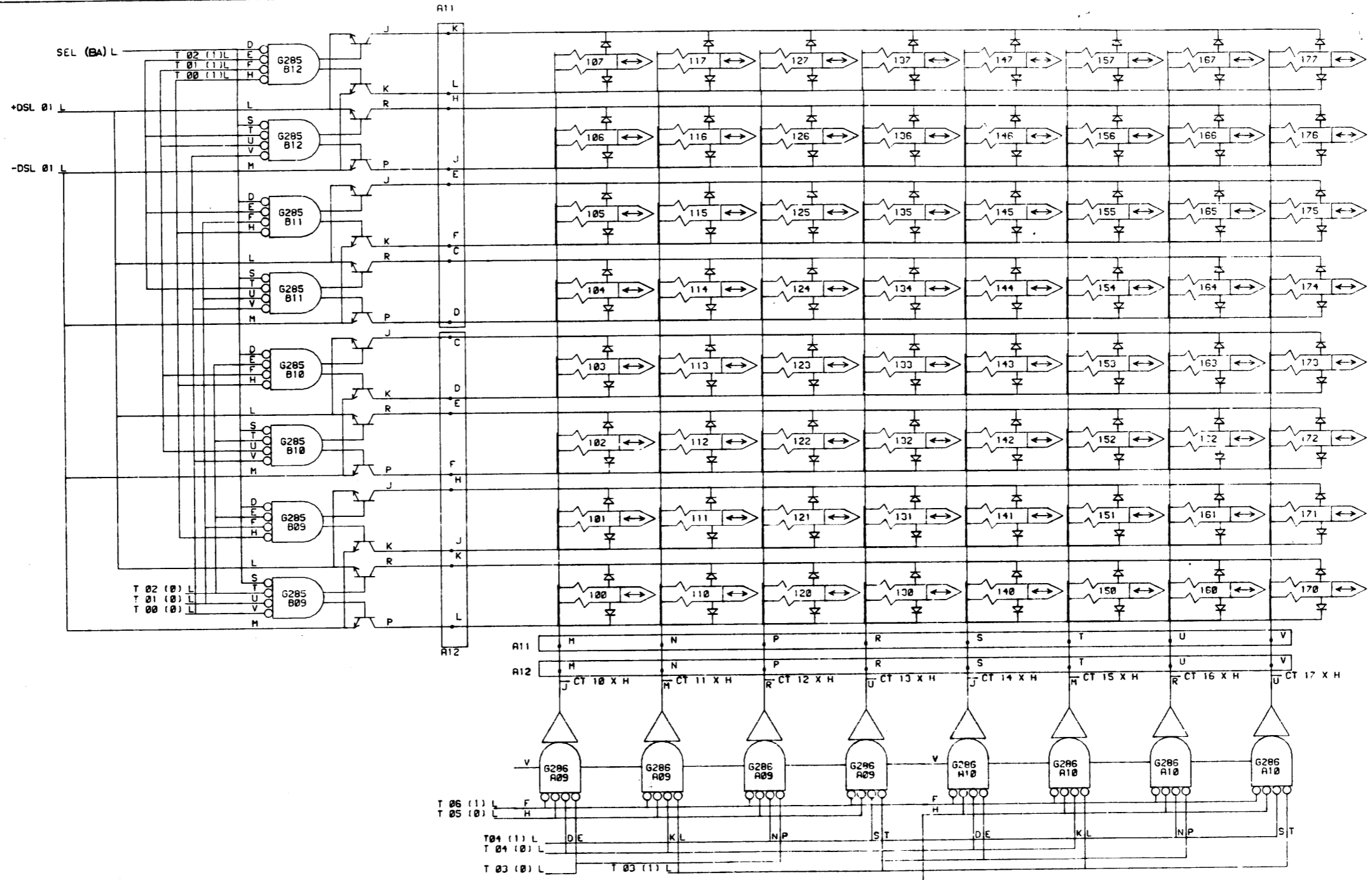


REV.	CHG.	DESCRIPTION

		<b>EQUIPMENT CORPORATION</b> <small>WALTHAM, MASSACHUSETTS</small>	
<b>TITLE</b> TRACK SELECT MATRIX 0			
<b>RS09</b> <small>SCALE</small> <small>PROJECT</small>	<b>D 95</b> <small>DIST.</small>	<b>NUMBER</b> RS09-B-2	<b>REV.</b> 00



See drawing and specifications for the proper use of this equipment. The manufacturer is not responsible for any damage to the equipment or for any loss of data due to the use of this equipment.

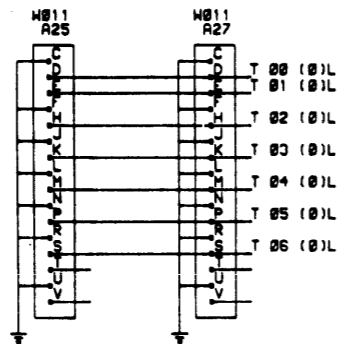


REVISIONS		
CHK	CHANGE NO.	REVL

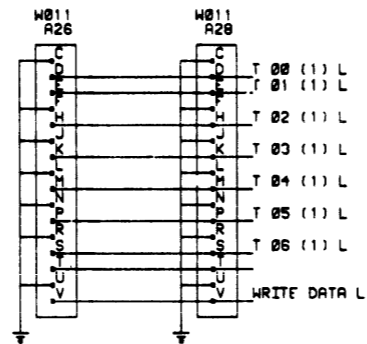
DATE: 7-26-69 BY: [Signature] DATE: 7-22-69 BY: [Signature] DATE: 6-22-69 BY: [Signature]	TITLE: <b>TRACK SELECT MATRIX 1</b>
PART USED ON: RS09	NUMBER: D BS RS09-0-3
SCALE: SHEET 1 OF 1	REV. 00

Do not connect any other equipment to the pins of this connector. The connector is not to be used for any other purpose.

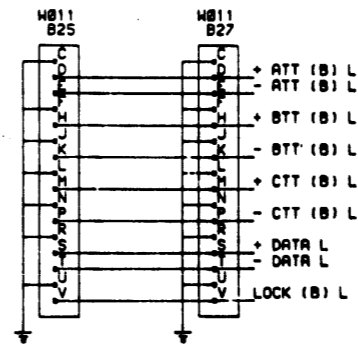
0723 CLAMPED TERMINATIONS IN LAST RS



0723 CLAMPED TERMINATIONS IN LAST RS

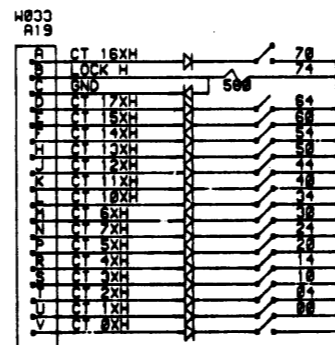
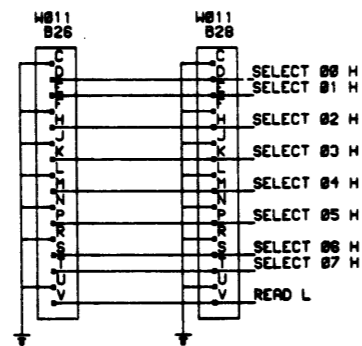


0711 100 OHM TERMINATIONS IN RF AND LAST RS



WRITE LOCKOUT SWITCHES XY

0723 CLAMPED TERMINATIONS IN LAST RS

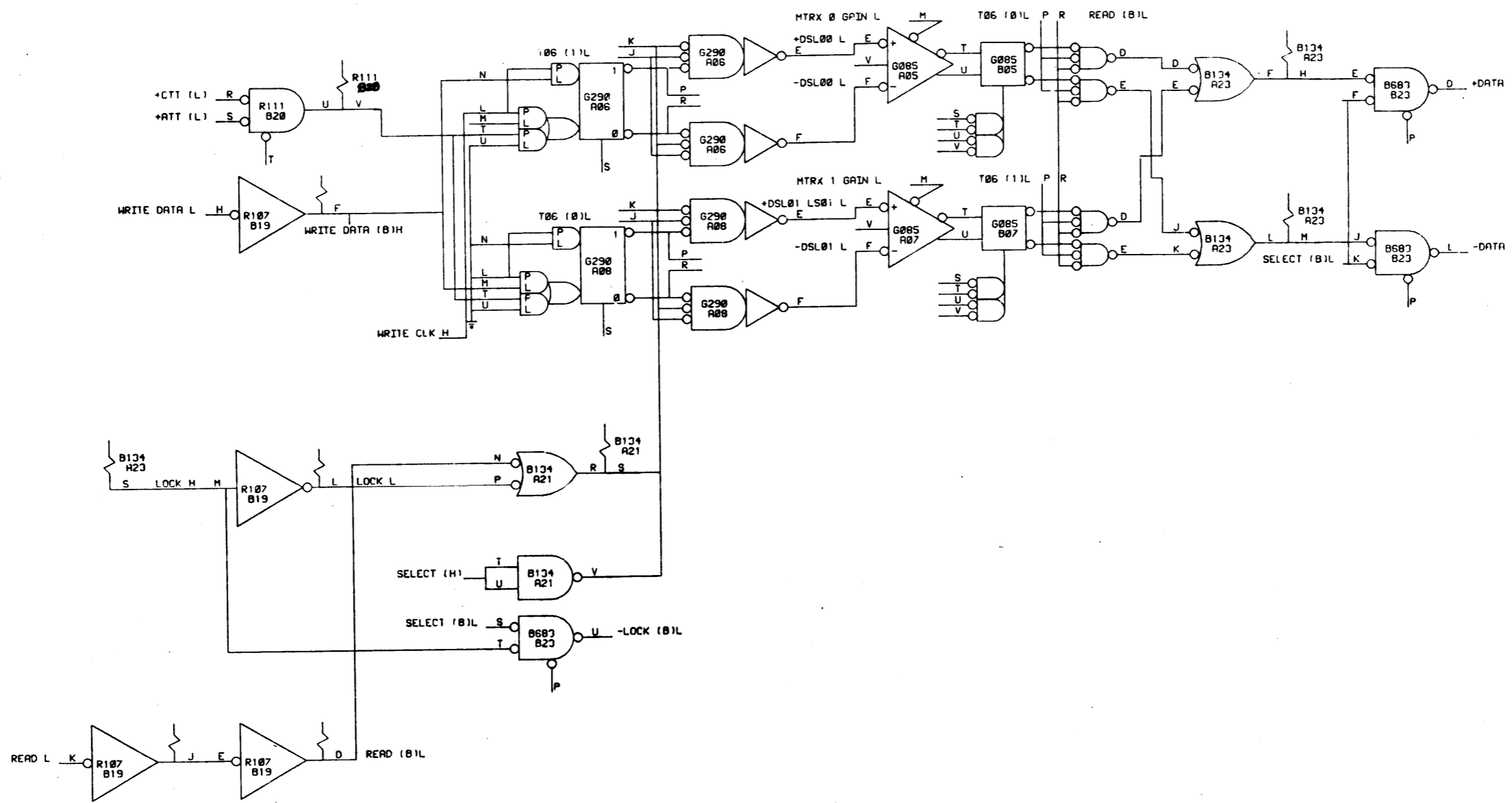


OPEN-WRITE ENABLED  
CLOSED-WRITE DISABLED

REVISIONS		
CHK	CHANGE NO.	REV.
	PS09-00006	A

DRG	K. BOGGS	DATE	9/22/69	 EQUIPMENT CORPORATION MAYFIELD, MASSACHUSETTS
CHKD	N. RHEAULT	DATE	9/22/69	
DRG	E.D. KING	DATE	9/22/69	
PROT DRG	DIG. VONNADA	DATE	9/22/69	
PROT	C.B. TOMPKINS	DATE	9/22/69	
PROT USED ON				
RS09				TITLE
SCALE				CONTROL UNIT CONNECTORS
SHEET 1 OF 1				D BS RS09-0-1 A DIST.

See drawing and specifications herein for the quantity of Equipment Corporation and shall not be construed as a contract or order for the purchase of any equipment for the manufacture of any of these units or other products.

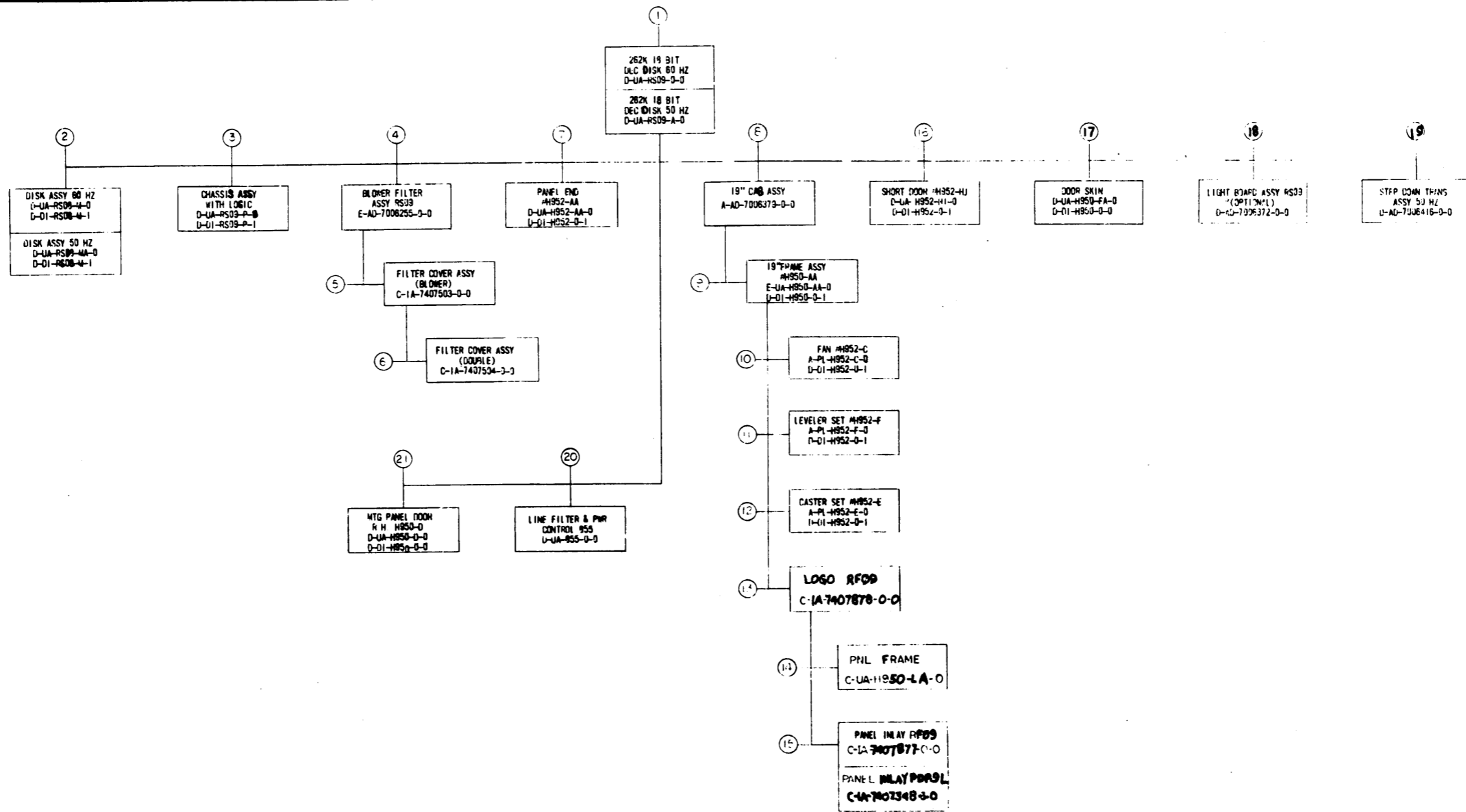


REVISIONS		
CHK	CHANGE NO.	REV.
✓	RS09-00006	A
	12-16-62	

EQUIPMENT CORPORATION	
DESIGNER: K. BOGGS	DATE: 3/22/65
DR: J. W. HEALY	DATE: 3/22/65
CHK: J. D. KING	DATE: 3/22/65
APP: D. G. VONADA	DATE: 3/22/65
APP: C. R. TOMPKINS	DATE: 3/22/65
TITLE: CONTROL 2	
RS09	RS09-0-5
SCALE: D 05	REV: A
SHEET 1 OF 1	DIST.



This drawing and specifications herein are the property of Digital Equipment Corporation and shall not be reproduced or copied in whole or in part as the basis for the manufacture or sale of items without written permission.



\* NOT A PRODUCTION PART - USED FOR TEST PURPOSES ONLY.

REV	CHG	NO	DATE	BY	APP
1	RS09	0000A			
2					
3					
4					
5					
6					
7					
8					

FIRST USED ON OPTION / MODEL  
RS09-0

UNLESS OTHERWISE SPECIFIED	DRN	DATE
DIMENSION IN INCHES	CHK'D	DATE
TOLERANCES	ENG.	DATE
DECIMALS FRACTIONS ANGLES	PROJ. ENG.	DATE
= .005 = 1/64 = .030		
FINAL SURFACE QUALITY		
REMOVE BURRS AND BREAK SHARP CORNERS		

QTY	DESCRIPTION	PART NO.	ITEM NO.
PARTS LIST			
digital EQUIPMENT CORPORATION			
TITLE			
DRAWING INDEX			
LIST RS09-0			
NEXT HIGHER ASSY		SIZE/CODE	NUMBER
4-M-L-RS09-0		D/DI	RS09-0-8
SCALE		DIST	REV
SHEET 1 OF 2			E

DEC FORM NO 100

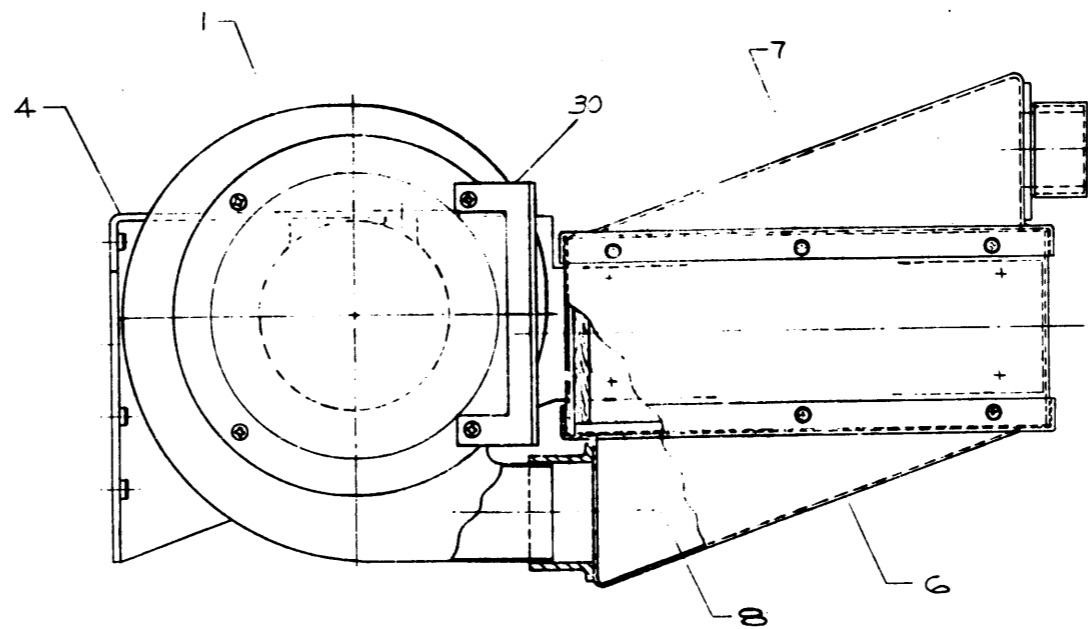
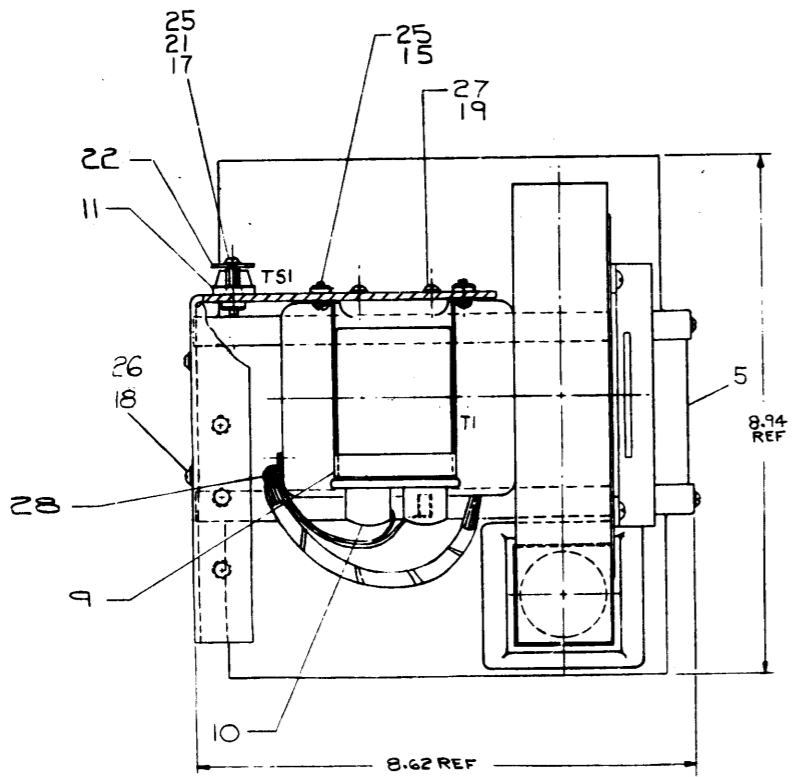
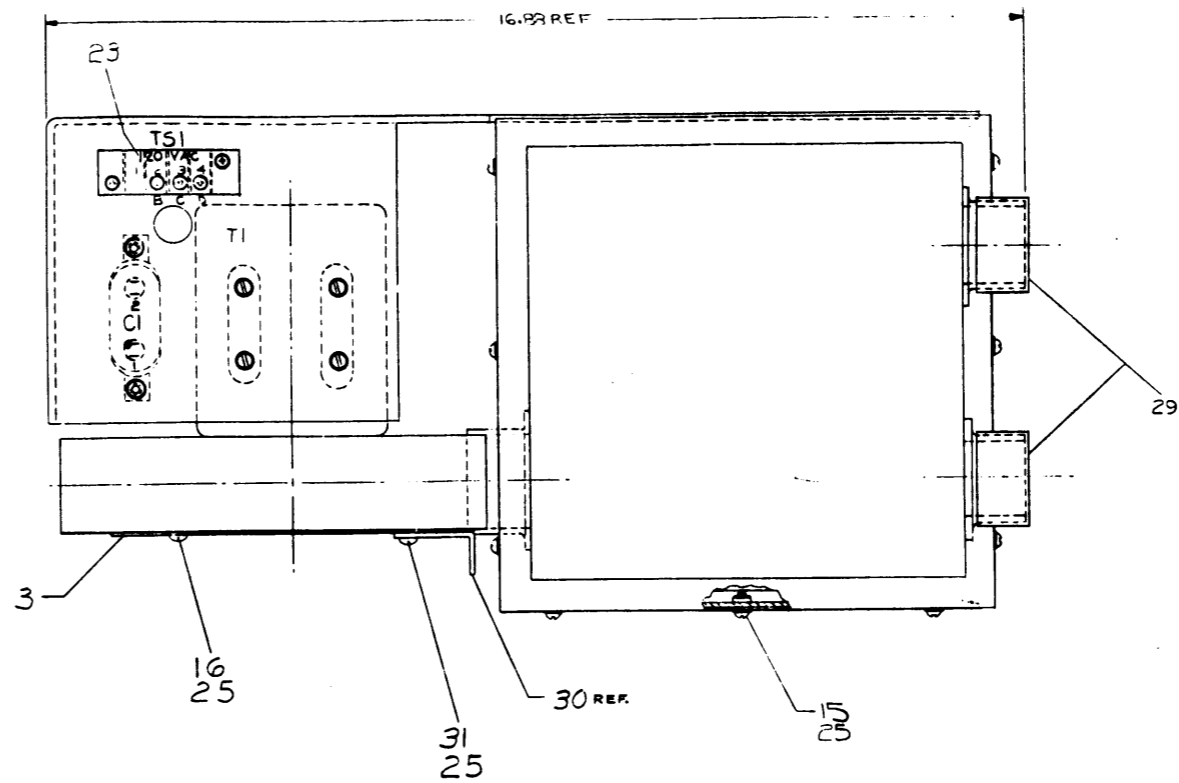
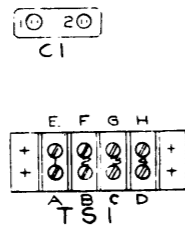
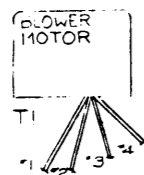








ITEM NO.	DESCRIPTION	COLOR	FROM	TO	EQUIPMENT WITH ITEMS	EQUIP TO WITH ITEMS
2	RED	CI-2	T51-4	13 20	14	
12	WHT	CI-1	T51-3C	13 20	14	
1	GRN	T1-1	T51-2B	24	14	
1	BLU	T1-2	T51-2B	24	14	
1	WHT	T1-3	T51-3C	24	14	
1	RED	T1-4	T51-4D	24	14	



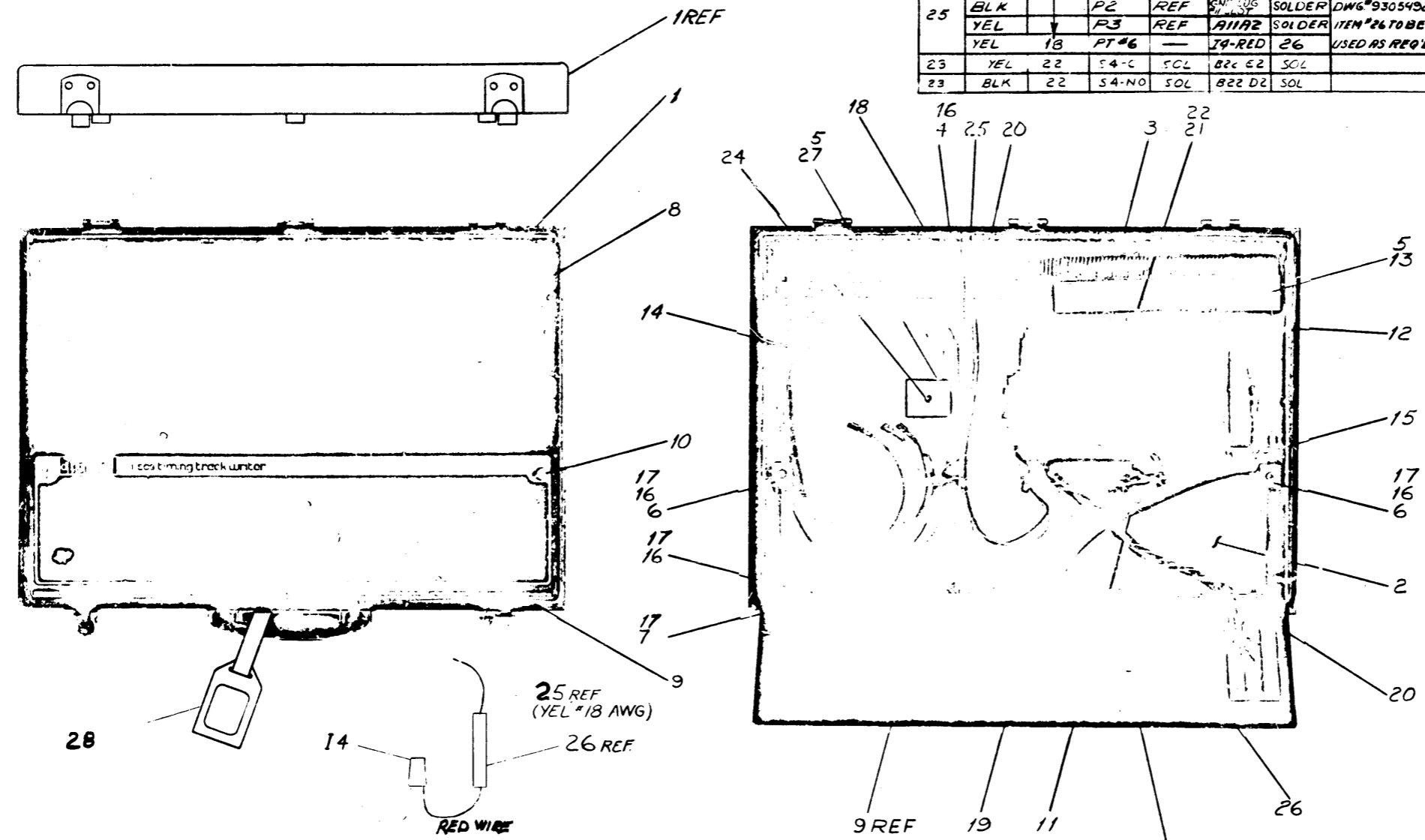
REV	DATE	BY	CHKD	APP'D
1	10-1-77	...	...	...
2	10-1-77	...	...	...
3	10-1-77	...	...	...
4	10-1-77	...	...	...
5	10-1-77	...	...	...
6	10-1-77	...	...	...
7	10-1-77	...	...	...
8	10-1-77	...	...	...
9	10-1-77	...	...	...
10	10-1-77	...	...	...

TOLERANCE DECIMALS		UNLESS OTHERWISE SPECIFIED	
XXX	± .005	SCREWS	AS SHOWN
XX	± .02	FINISH	AS SHOWN
X	± .1	MATERIAL	
PART LIST			
QTY.	DESCRIPTION	PART NO.	TITLE
1	BLOWER FILTER ASSY (RS09)	...	...
DATE: 10-1-77		DRAWN: ...	
SCALE: 1:1		SHEET: 1 OF 1	

Copyright © 1973  
DIGITAL EQUIPMENT CORP

WIRE TABLE							
ITEM NO.	DESCRIPTION	FROM	TO	REMARKS			
14	YEL #18	---	A11A2	SOLDER			
14	BLK #18	---	B11B2	SOLDER			
14	RED #18	---	B12A2	SOLDER			
25	RED	P1	REF B12A2	SOLDER SEE HARNESS			
	BLK	P2	REF B11B2	SOLDER DWG#9305492-0-0			
	YEL	P3	REF A11A2	SOLDER ITEM#26 TO BE			
	YEL 18	PT#6	I4-RED 26	USED AS REQ'D.			
23	YEL 22	S4-C	SOL B26 E2	SOL			
23	BLK 22	S4-NO	SOL B22 D2	SOL			

- NOTES:
- REMOVE EXISTING SCREW FROM LOGIC AND REPLACE WITH ITEM#22 TO MOUNT ITEM#21
  - FOR DWG DIRECTORY REFER TO DWG. B-DD-RS09-TA
  - LOGIC SHOULD BE MOVED TO EXTREME RIGHT ON LOGIC FRAME AND MOUNTED UPSIDE DOWN DURING FINAL ASSEMBLY



QTY	DESCRIPTION	PART NO	ITEM NO
1	I.D. LUGGAGE TAG	182046	28
1	BRACKET, TESTER SWITCH	9605890-0-0	27
1	SPLICE BUT, AMP 34071	9006782	26
1	DC POWER HARNESS	DIA 9305992-0-0	25
1	SPST MICRO SWITCH	1201160	24
AIR	YEL/BLK T.W.F. I.P.I.C.#2276	910730-04	23
2	SCR, PH. PAN HD#8-32X1/2 LG	9007799-6	22
1	CABLE RETAINING BLOCK (1/4")	1209850	21
3	CLAMP, CABLE 3/8 DIA.	9007083	20
1	TIE WRAP, SCREW DOWN	9007033	19
2	SCR, PH. PAN HD#8-32X1/2 LG	9006039-1	18
17	KEP NUT #8-32	9006563	17
20	SCR, PH. FLAT HD#4-32X3/8 LG	9006037-2	16
1	MODULE HOLDOWN BRKT	DIA 96057962-0	15
1	POWER CABLE, RS09-TA	DIA 9305501-1-0	14
1	WIRED ASSY RS09-TA	DAD-10064930-0	13
1	MODULE PARTS LIST	A.P.RS09-TA 1	12
1	MODULE RETAINER SCREW	1905692	11
2	FASTENER, SOUTHCO#58-21-310 20	9008930	10
1	CONT PANEL ASSY, (RS09-TA)	D-AD-9305486-0-0	9
1	COVER, CHASSIS	FIN 9605710-0-0	8
1	HINGE, TESTER CONT PANEL	DAD-9605710-0-0	7
2	BRACKET, TESTER CHASSIS	CIA 9605712-0-0	6
10	POP RIVETS AD93 BS	9006509	5
1	DIVIDER BRKT, TESTER	DIA 9605715-0-0	4
1	BACK PANEL, TESTER	DIA 9605714-0-0	3
1	CHASSIS, TESTER	ETA 9605709-0-0	2
1	CASE TESTER	341315-04	1

REV	CHG	NO	BY	DATE
1	RS09-TA-0006	B		
2	REVISED & REDAWN			
3	6-ALL	2-18-74		
4	VONADA			
5	RS09-TA-0008	C		
6	RS09-TA-0009	C		
7	R DELIUDICE			
8	R DELIUDICE			
9	R DELIUDICE			
10	R DELIUDICE			

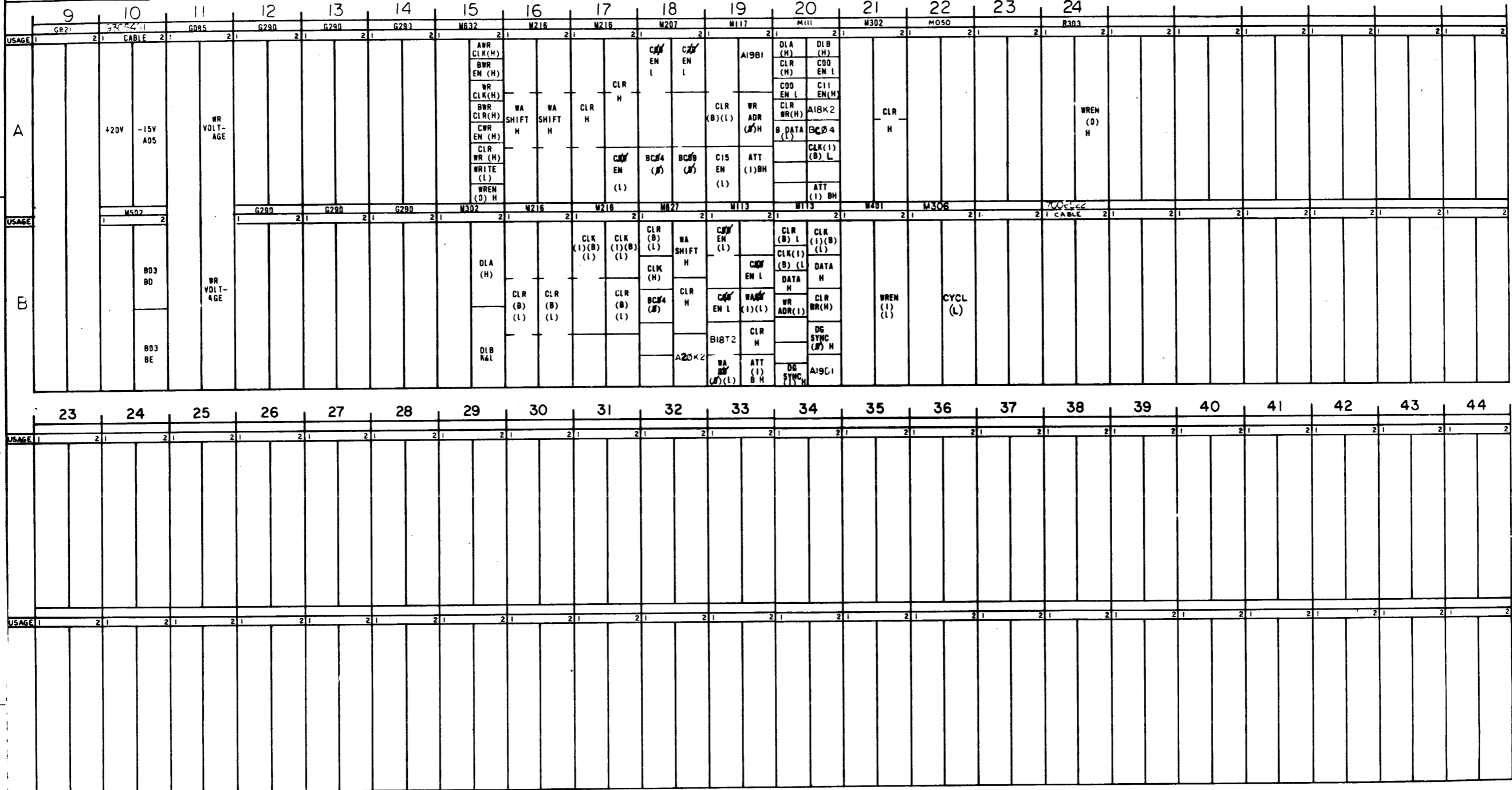
FIRST USED ON OPTION MODEL		QTY	DESCRIPTION	PART NO	ITEM NO
RS09-TA					
UNLESS OTHERWISE SPECIFIED DIMENSION IN INCHES TOLERANCES					
DECIMALS	ANGLES	DATE			
.XX	.02	3/1/73			
.X	.1	DATE			
REMOVE BURRS AND BREAK SHARP CORNERS SURFACE QUALITY					
MATERIAL		NEXT HIGHER ASSY		SIZE CODE	NUMBER
++		B-DD-RS09-TA		DUA	RS09-TA-0
FINISH		SCALE		REV	
++		NONE		C	
SHEET		OF		DIST	

**DIGITAL** EQUIPMENT CORPORATION

TIMING TRACK WRITER TESTER (RS09-TA)

2 DIMURS09-TA-1

The drawing and specifications herein are the property of Digital Equipment Corporation and shall not be reproduced or copied or used in whole or in part as the basis for the manufacture or sale of items without written permission.



REV	CHG	NO.	DATE	BY	REVISIONS
1	RS09-TA-0001	L	5-19-77		
2	VONADA		5-19-77		
3	VONADA		9-27-77		
4	RS09-TA-0008	D	10-27-77		
5	DELUIGIOCE		11-21-77		

FIRST USED ON OPTION/MODEL <b>RS09-TA</b>	DO NOT SCALE DRAWING UNLESS OTHERWISE SPECIFIED	DATE 10-8-79	<p><b>digital</b> EQUIPMENT CORPORATION MAYNARD MASSACHUSETTS</p>
TOLERANCES DECIMALS FRACTIONS ANGLES ±.008 ±.156 ±.030 FINAL SURFACE QUALITY REMOVE BURRS AND BREAK SHAW CORNERS	DATE 10-8-79	TITLE <b>MODULE UTILIZATION RS09-TA</b>	
MATERIAL	DATE 1-11-78	DATE 1-11-78	REV D
FINISH	DATE 1-11-78	DATE 1-11-78	NUMBER DIMURS09-TA-1
	SCALE	OF	DIST.

DIMURS09-TA-1

A

**DIGITAL EQUIPMENT CORPORATION**  
MAYNARD, MASSACHUSETTS  
**PARTS LIST**

QUANTITY/VARIATION

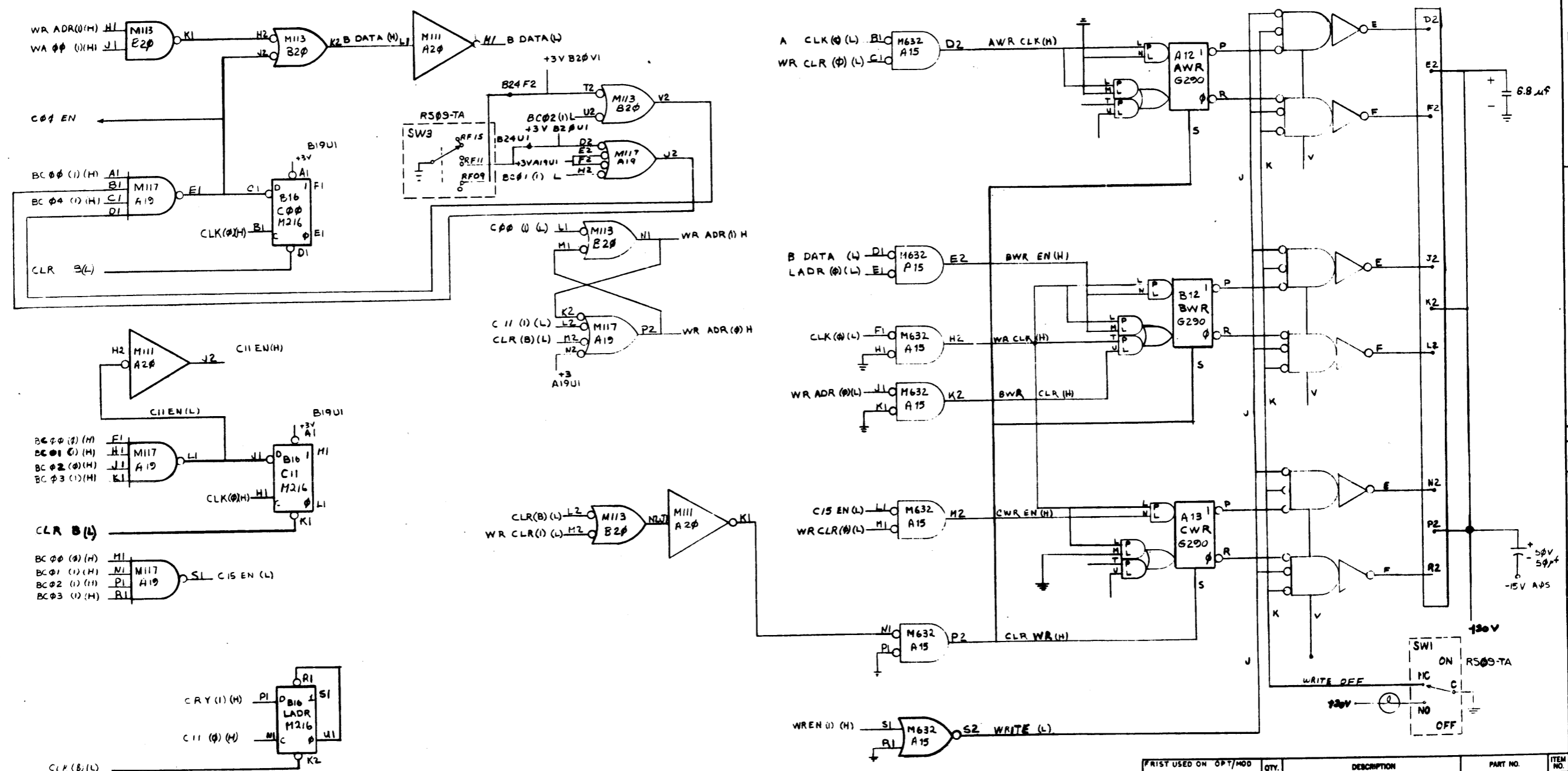
MADE BY <b>D. HEALY</b>	CHECKED <b>D. HEALY</b>	SECTION <b>1</b>
DATE <b>10/1/69</b>	DATE <b>10/1/69</b>	ISSUED SECT. <b>1</b>
ENG <i>E. S. W. made</i>	PROD <i>C. E. T. made</i>	
DATE <b>10-10-69</b>	DATE <b>10-13-69</b>	

ITEM NO.	DWG NO. / PART NO.	DESCRIPTION	1	2	3	4	5	6	7	8	9	10	11	12	13	14	15
	G821	5V REGULATOR	1														
	GØ85	DISC READ AMP AND SLICE	1														
	G29Ø	WRITE AMPLIFIER	6														
	M632	POS TO NEG DRIVER	1														
	M216	SIX FLIP FLOPS	4														
	M2Ø7	GEN PURP. FLIP FLOP	1														
	M117	SIX 4-INPUT NAND GATES	1														
	M3Ø2	DUAL DELAY MULTIVIBRATOR	2														
	MØ5Ø	50 MA IND. DRIVER	1														
	R3Ø3	INTERGRATING ONE SHOT	1														
	M5Ø2	NEG INPUT CONVERTER	1														
	M627	NAND POWER AMPLIFIER	1														
	M113	TEN 2-INPUT NAND GATES	2														
	M4Ø1	VARIABLE CLOCK	1														
	M111	INVERTER	1														
	M306	INTERGRATING ONE SHOT	1														

TITLE	ASSY NO.	SIZE	CODE	NUMBER	REV.	ECO NO.
MODULE UTILIZATION LIST (RSØ9-TA)	D-MU-RSØ9-TA-1	<b>A</b>	<b>PL</b>	RSØ9-TA-1	<b>D</b>	RSØ9-TA-1 00008
	SHEET 1 OF 1	DIST.				

The drawing and specifications herein are the property of Digital Equipment Corporation and shall not be reproduced or used in whole or in part for any purpose other than that for which it was prepared without the written permission of Digital Equipment Corporation.

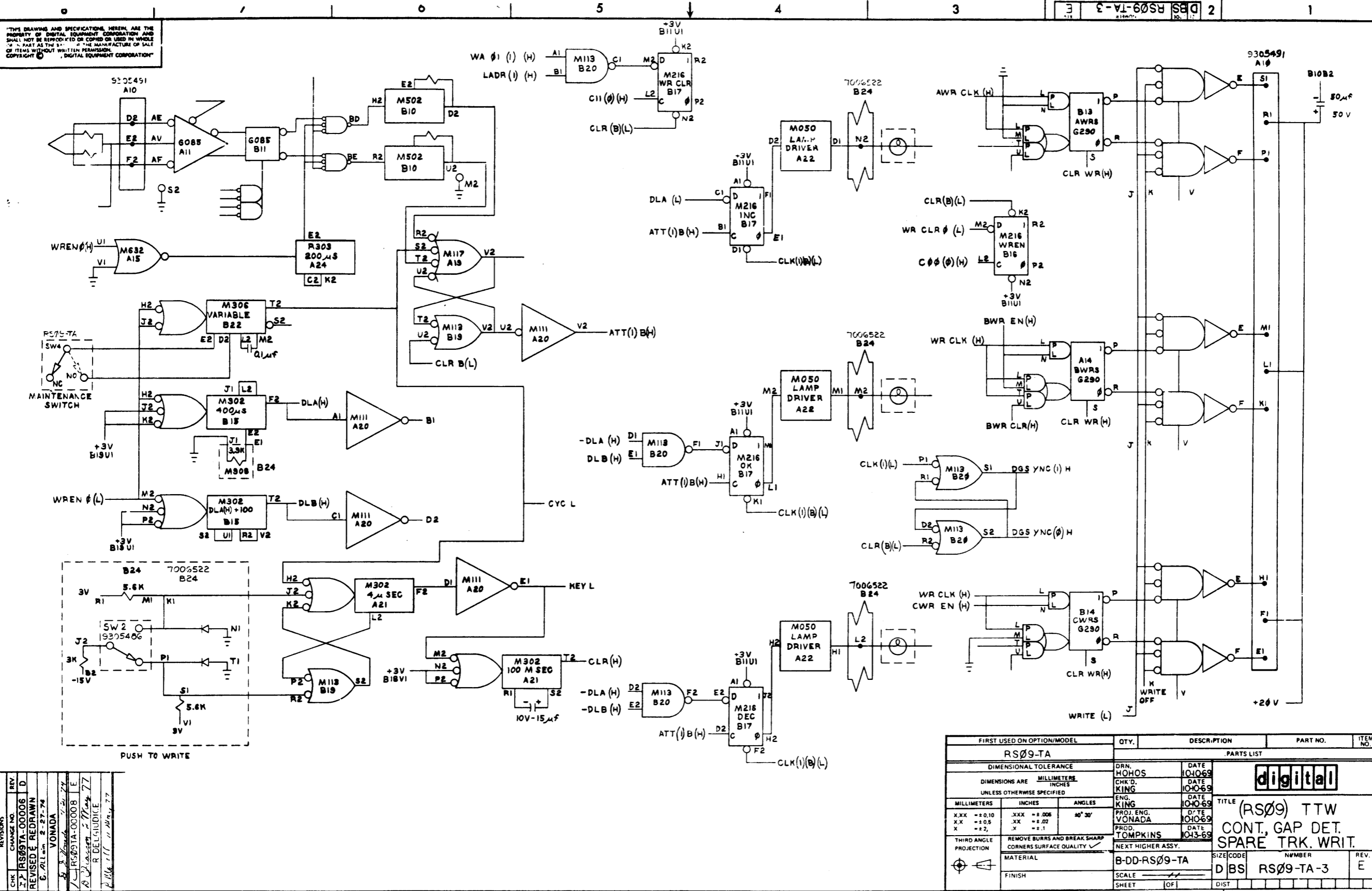
9365491  
A1P



REV	CHANGE NO.	DATE	BY	DESCRIPTION
1		5-15-77		
2		5-19-78		
3		12-10-78		
4		12-17-78		
5		2-18-79		
6		4-21-79		
7		5-17-79		
8		5-23-79		
9		5-23-79		
10		5-23-79		
11		5-23-79		
12		5-23-79		
13		5-23-79		
14		5-23-79		
15		5-23-79		
16		5-23-79		
17		5-23-79		
18		5-23-79		
19		5-23-79		
20		5-23-79		

REV	QTY.	DESCRIPTION	PART NO.	ITEM NO.
1		RS09-TA		
UNLESS OTHERWISE SPECIFIED				
DIMENSIONS IN INCHES				
DECIMALS	FRACTIONS	ANGLES	TOLERANCES	
± .005	± 1/64	± .010	± .010	
FINAL SURFACE QUALITY				
REMOVE BURRS AND BREAK SHARP CORNERS				
MATERIAL				
NEXT HIGHER ASSY				
B-DD-RS09-TA				
FINISH				
SCALE				
SHEET 1 OF 1				
DISTRIBUTION				

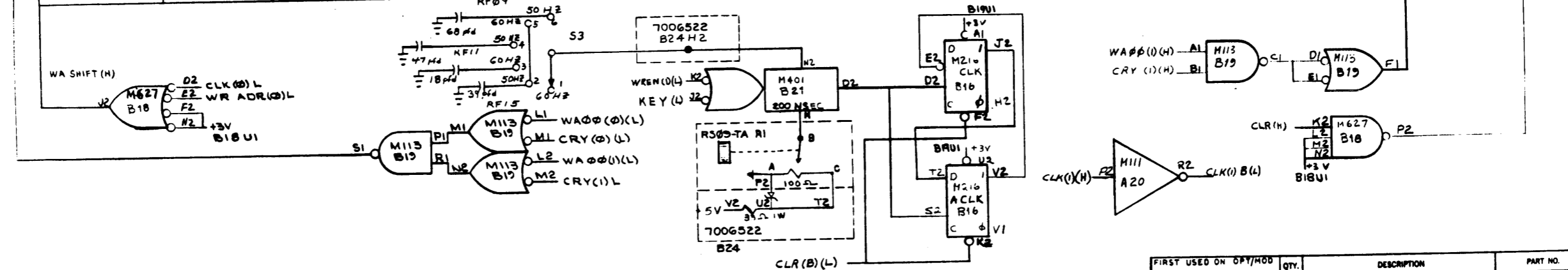
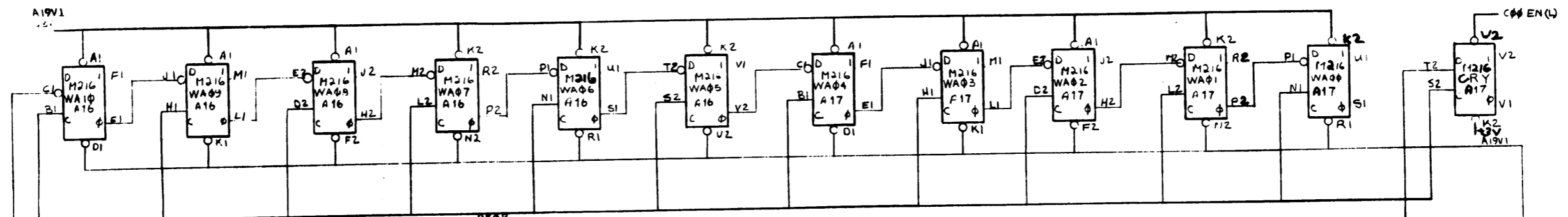
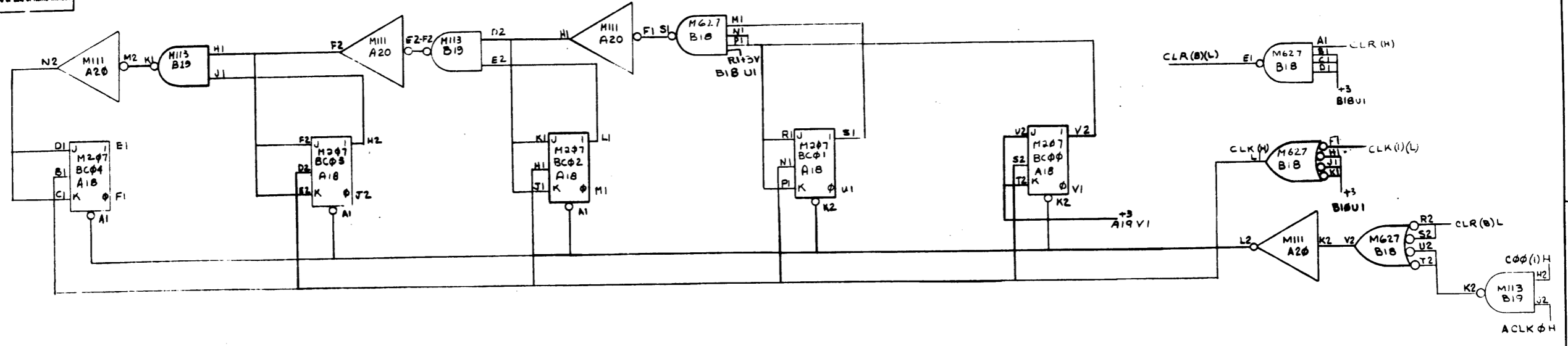
THIS DRAWING AND SPECIFICATIONS HEREIN ARE THE PROPERTY OF DIGITAL EQUIPMENT CORPORATION AND SHALL NOT BE REPRODUCED OR COPIED OR USED IN WHOLE OR IN PART AS THE BASIS OF THE MANUFACTURE OR SALE OF ITEMS WITHOUT WRITTEN PERMISSION. COPYRIGHT © DIGITAL EQUIPMENT CORPORATION



REV.	CHG. NO.	DATE	BY	CHK.
1	RS09TA-00006	D		
2	REVISED REDRAWN			
3	REVISED REDRAWN			
4	REVISED REDRAWN			
5	REVISED REDRAWN			
6	REVISED REDRAWN			
7	REVISED REDRAWN			
8	REVISED REDRAWN			
9	REVISED REDRAWN			
10	REVISED REDRAWN			

FIRST USED ON OPTION/MODEL	QTY.	DESCRIPTION	PART NO.	ITEM NO.
RS09-TA		PARTS LIST		
DIMENSIONAL TOLERANCE		DRN. HOHOS	DATE 10-10-69	<b>digital</b>
DIMENSIONS ARE MILLIMETERS UNLESS OTHERWISE SPECIFIED		CHK'D. KING	DATE 10-10-69	
MILLIMETERS	INCHES	ANGLES	ENG. KING	DATE 10-10-69
.XX ±0.10	.XX ±.005	40° 30'	PROJ. ENG. VONADA	D'TE 10-10-69
.X ±0.5	.X ±.02		PROD. TOMPKINS	DATE 10-13-69
X ±2	X ±.1			
THIRD ANGLE PROJECTION	REMOVE BURRS AND BREAK SHARP CORNERS SURFACE QUALITY	NEXT HIGHER ASSY.	TITLE (RS09) TTW CONT. GAP DET. SPARE TRK. WRIT.	
MATERIAL	FINISH	B-DD-RS09-TA	SIZE CODE D BS	NUMBER RS09-TA-3
		SCALE	SHEET	REV. E

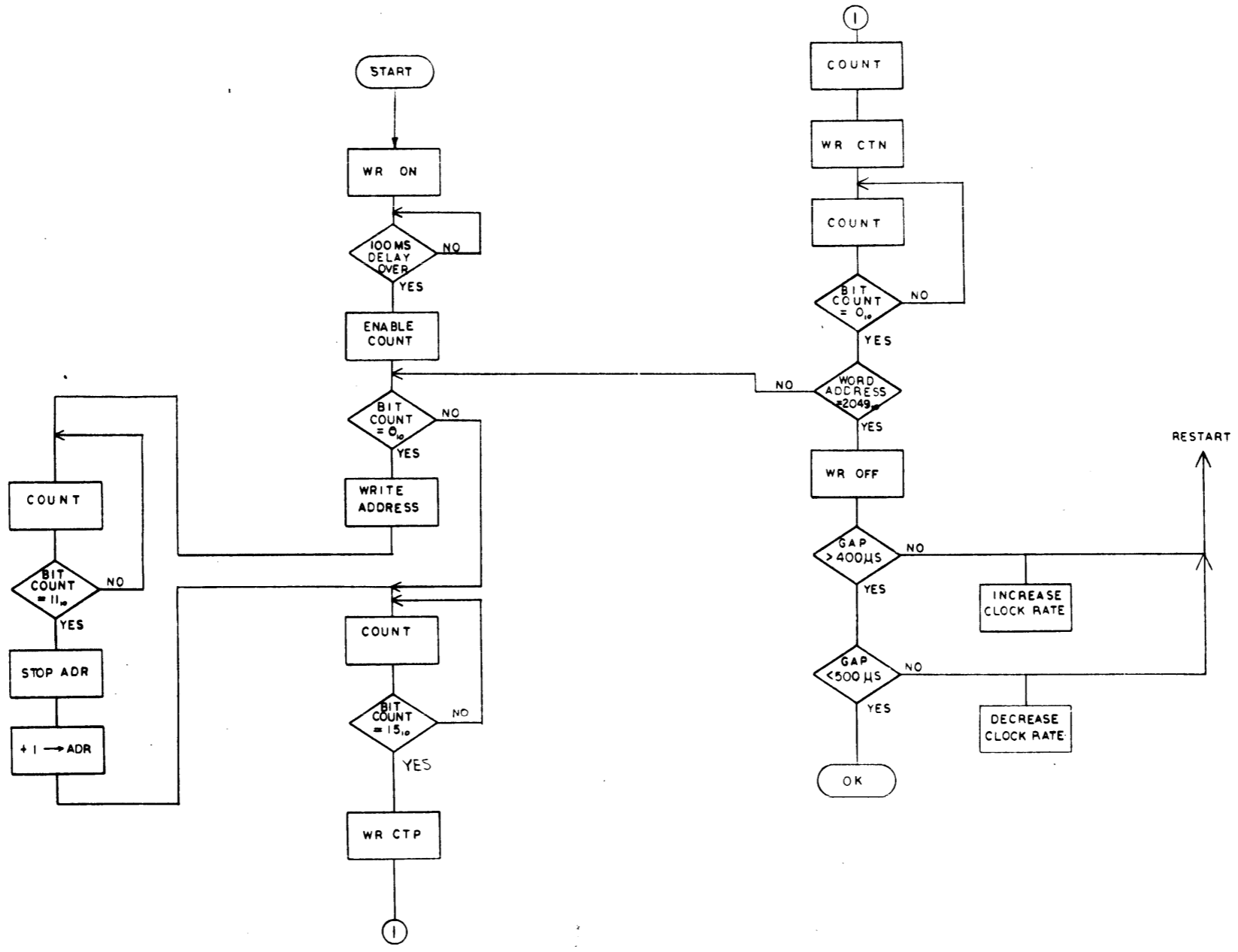
This drawing and specifications, herein, are the property of Digital Equipment Corporation and shall not be reproduced or copied or used in whole or in part as the basis for the manufacture or sale of items without written permission.



REV	CHG	NO	DATE	BY	CHK
1	L	1	5-11-70		
2	L	2	5-11-70		
3	L	3	5-11-70		
4	L	4	5-11-70		
5	L	5	5-11-70		
6	L	6	5-11-70		
7	L	7	5-11-70		
8	L	8	5-11-70		
9	L	9	5-11-70		
10	L	10	5-11-70		
11	L	11	5-11-70		
12	L	12	5-11-70		
13	L	13	5-11-70		
14	L	14	5-11-70		
15	L	15	5-11-70		
16	L	16	5-11-70		
17	L	17	5-11-70		
18	L	18	5-11-70		
19	L	19	5-11-70		
20	L	20	5-11-70		

FIRST USED ON OPT/MOD	QTY.	DESCRIPTION	PART NO.	ITEM NO.
RS09-TA				
UNLESS OTHERWISE SPECIFIED:				
DIMENSIONS IN INCHES				
TOLERANCES				
DECIMALS	FRACTIONS	ANGLES		
± 0.005	± 1/64	± 0°30'		
FINAL SURFACE QUALITY				
REMOVE BURRS AND BREAK SHARP CORNERS				
MATERIAL				
NEXT HIGHER ASSY.				
FINISH				
SCALE				
SHEET OF				
PARTS LIST				
digital EQUIPMENT CORPORATION MAYNARD MASSACHUSETTS				
TITLE RS09 TTW BC,WA, CLK				
SIZE CODE NUMBER DBSR09-TA-4				
REV E				

This drawing and specifications, herein, are the property of Digital Equipment Corporation and shall not be reproduced or copied in whole or in part in any form or by any means without written permission.

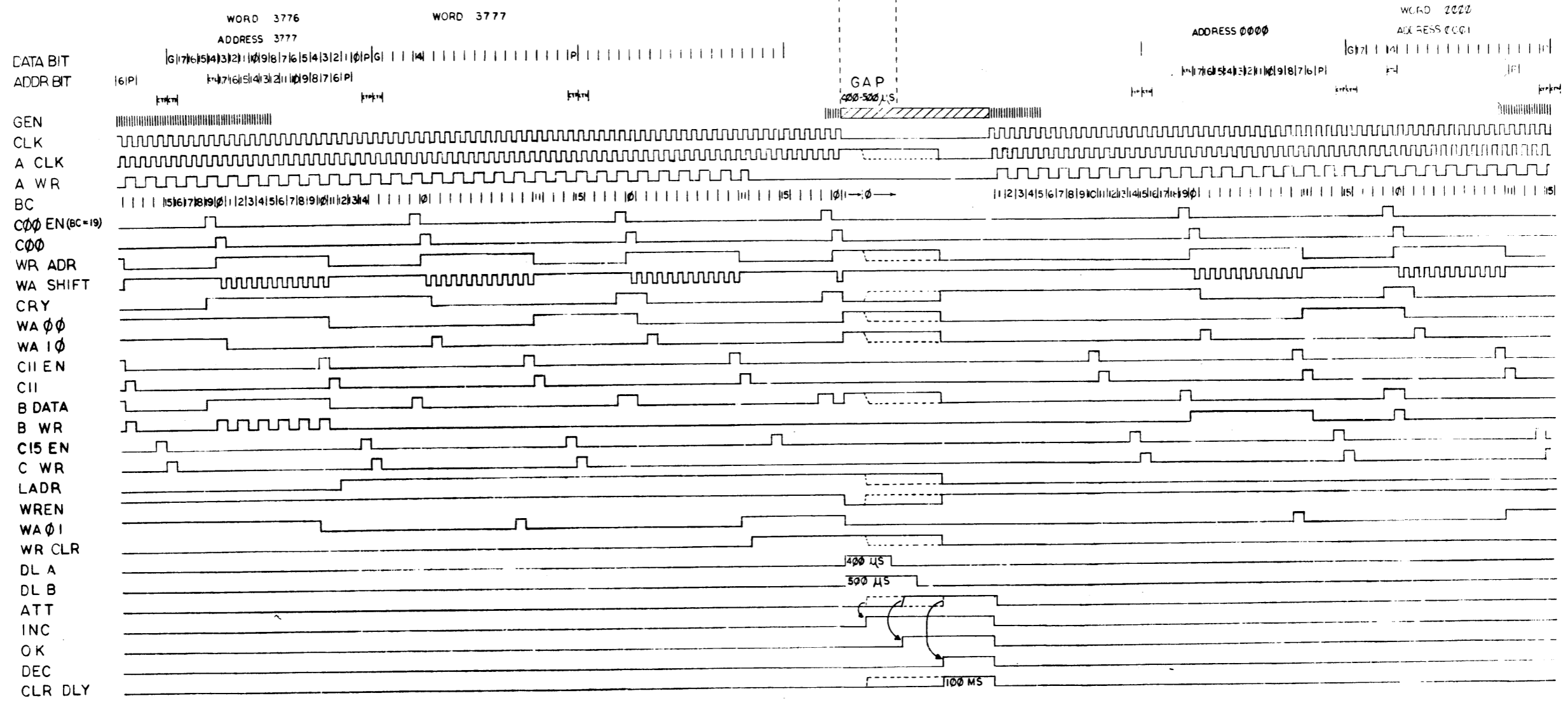


FIRST USED ON RS09-TA	QTY.	DESCRIPTION	PART NO.	ITEM NO.
PARTS LIST				
UNLESS OTHERWISE SPECIFIED	DRN	DATE	digital EQUIPMENT CORPORATION MAYNARD MASSACHUSETTS	
UNLESS OTHERWISE SPECIFIED	CHKD.	DATE	TITLE RS09 TT WRITER FLOW CHART	
TOLERANCES	ENG.	DATE	REV. A	
DECIMALS FRACTIONS ANGLES	PROJ. AND	DATE	SIZE CODE NUMBER DFRS09-TA-5	
± .008 ± 1/64 ± 0°30'	PROD.	DATE	REV. A	
FINAL SURFACE QUALITY			SCALE	
REMOVE BURRS AND BREAK SHARP CORNERS			SHEET 1 OF 1	
MATERIAL	NEXT HIGHER ASSY A-MI-RS09-TA			
FINISH	DIST.			

REVISEURS	CHANGE NO.	REV.
CHK	RS09-TA-0000	A
D. VONADA	1-20-72	



This drawing and specifications, herein, are the property of Digital Equipment Corporation and shall not be reproduced or copied or used in whole or in part as the basis for the manufacture or sale of items without written permission.



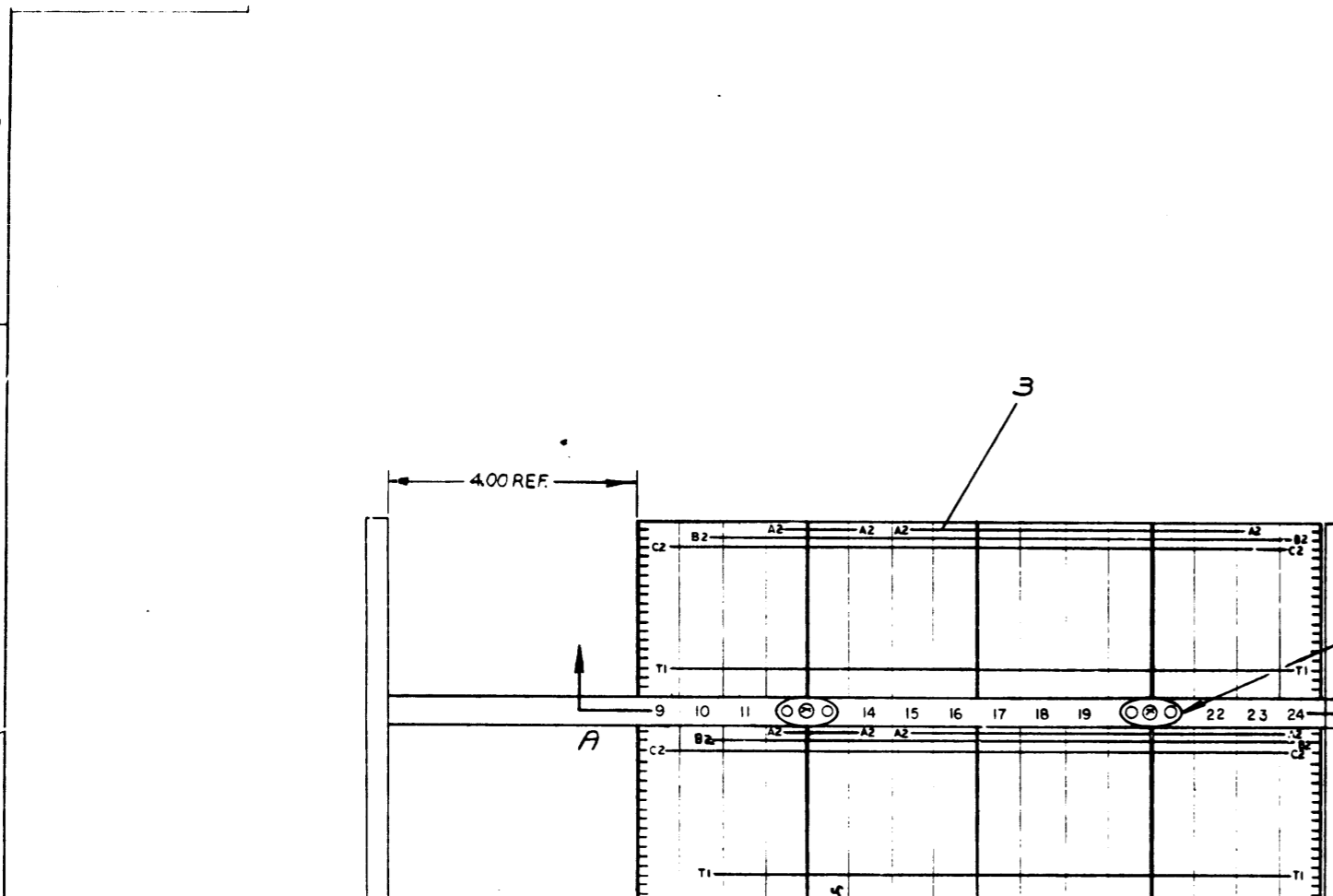
REV	CHG	NO	DATE
1	RS09TA-00005	A	1-13-72
2	VONADA		1-20-72

FIRST USED ON OPT/MOD RS09-TA	QTY.	DESCRIPTION	PART NO.	ITEM NO.
PARTS LIST				
UNLESS OTHERWISE SPECIFIED				
DIMENSIONS IN INCHES				
TOLERANCES				
DECIMALS FRACTIONS ANGLES				
± .005 ± .010 ± .015				
FINAL SURFACE QUALITY				
REMOVE BURRS AND BREAK SHARP CORNERS				
MATERIAL	ALUMINUM	DATE	10-10-69	
FINISH	ANODIZED	DATE	10-10-69	
A-ML-RS09-TA		DATE	10-13-69	
ALERT HIGHEN ASSEY		DATE	10-13-69	
SCALE	1	OF	1	
SHEET	1	OF	1	
TITLE		TIM. DIAG. STOP TIM. (RS09) TT WRITER		
PARTS LIST		digital EQUIPMENT CORPORATION MILFORD MASSACHUSETTS		
SIZE/CODE		DITDIRS09-TA-6		
NUMBER		1		
REV		A		

DITDIRS09-TA-6

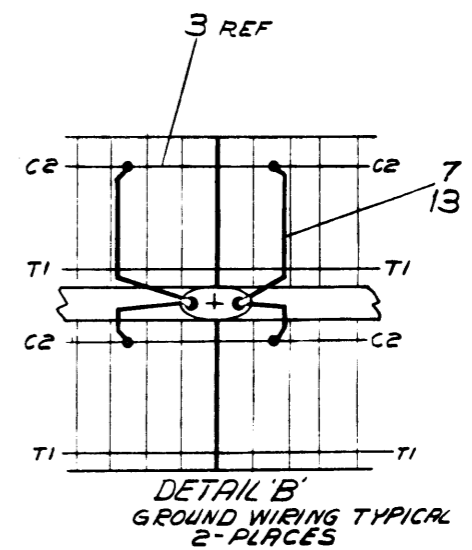
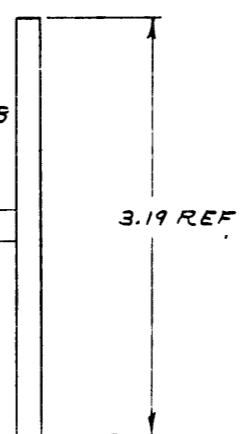
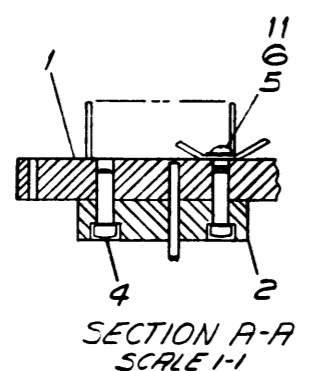
This drawing and specifications herein are the property of Digital Equipment Corporation and shall not be reproduced or copied or used in whole or in part as such without the written consent of Digital Equipment Corporation.

8 7 6 5 4 3 2 1



ITEM	COMP	FOL	FROM	TO	FOL	REMARKS
10	CAP	-	A21R1	A21S2	+	1NS WIRES/ITEM 7 USE TERMIKLIPI S ITEM #14
15	CAP	-	A11B2	A10P2	+	1NS WIRES/ITEM 16 USE TERMIKLIPI S ITEM #14
15	CAP	-	B10B2	A10R1	+	1NS WIRES/ITEM 17 USE TERMIKLIPI S ITEM #14
19	CAP	-	A10C2	A10E2	+	"
19	CAP	-	A13C2	A14A2	+	"
19	CAP	-	A22B2	A23C2	+	"
18	CAP	-	B22L2	B22M2	+	"

- NOTES:
- ~~1. 1945 FRAME CASTING TO BE~~  
~~WARRANTY CHECK PER SPEC #~~  
~~SC00130-04~~
  - CONNECTIONS ON ITEM #3#13 TO BE LOCATED AND SOLDERED AT MINIMUM PRACTICAL HEIGHT ABOVE BLOCKS.
  - CONNECTOR BLOCKS TO BE GROUNDED TO GROUND LUGS AS SHOWN, 2 PLACES
  - JUMPER GROUND BUSSING AS SHOWN, 4 PLACES.
  - USE YELLOW WIRE (ITEM #8) FOR MACHINE WRAPPED AND BLUE WIRE (ITEM #9) FOR HAND WRAPPED WIRING.
  - LOGIC MUST BE MOUNTED UPSIDE DOWN.



REV	CHG	NO	REV
1	RS09-TA-00002	A	
2	RS09-TA-00003	B	
3	RS09-TA-00004	C	
4	RS09-TA-00005	D	
5	RS09-TA-00006	E	

FIRST USED ON OPTION 7 MODEL RS09-TA	DO NOT SCALE DRAWING UNLESS OTHERWISE SPECIFIED DIMENSION IN INCHES	DRN CHKD ENG PROJ DATE DATE DATE DATE
TOLERANCES DECIMAL XXX = ± .005 XX = ± .02 X = ± .1	TOLERANCES ANGLES FINAL SURFACE QUALITY REMOVE BURRS AND BREAK SHARP CORNERS	DATE DATE DATE DATE
FINISH SEE NOTE #1	MATERIAL	DATE DATE DATE

QTY.	DESCRIPTION	PART NO.	ITEM NO.

DRN: *[Signature]* DATE: 8-28-69  
 CHKD: *[Signature]* DATE: 8-29-69  
 ENG: *[Signature]* DATE: *[Blank]*  
 PROJ: *[Signature]* DATE: *[Blank]*  
 DATE: *[Blank]*  
 DATE: *[Blank]*  
 DATE: *[Blank]*

TITLE: WIRED ASS'Y (RS09-TA)  
 NUMBER: 7006493-0-0  
 SCALE: D:AD  
 SHEET: 1 OF 1

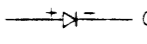
8 7 6 5 4 3 2 1

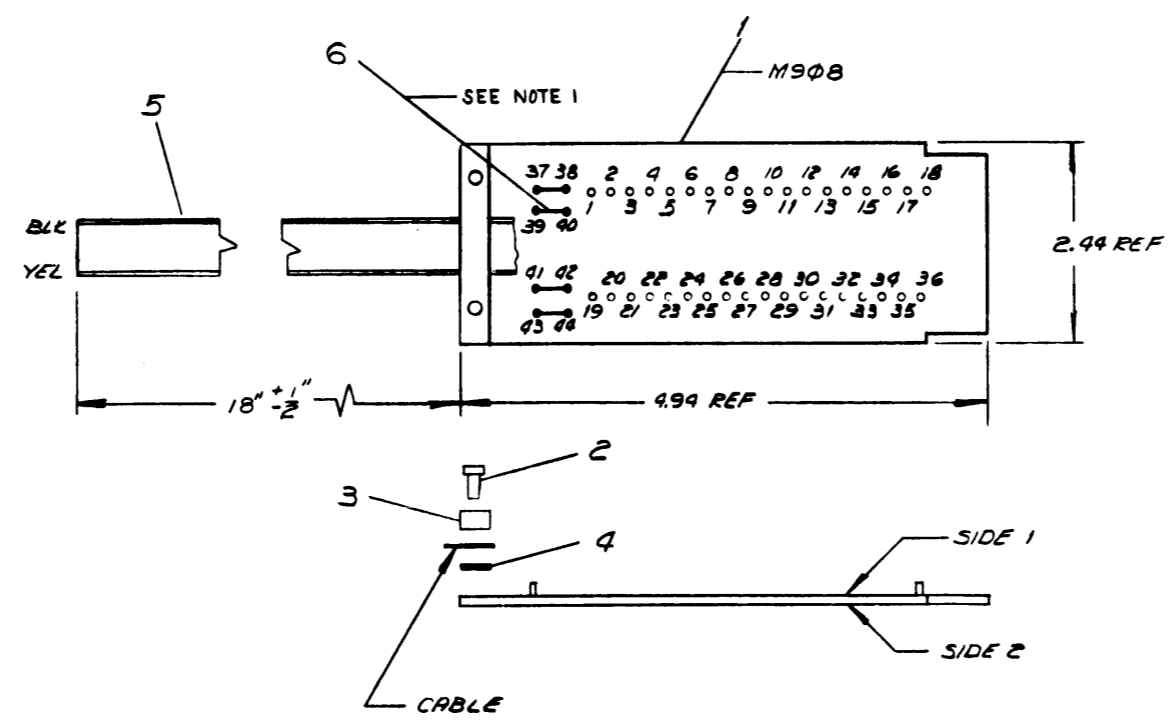
DIGITAL EQUIPMENT CORPORATION MAYNARD, MASSACHUSETTS PARTS LIST				QUANTITY/VARIATION																
MADE BY J. DEVIN		CHECKED D. HEALY		SECTION																
DATE 8/28/69		DATE 9/16/69		1																
ENG <i>D. Vande</i>		PRODC <i>R. T. Williams</i>		ISSUED SECT.																
DATE 10-5-69		DATE 1-13-69		1																
ITEM NO.	DWG NO. / PART NO.	DESCRIPTION																		
1	D-AD-9605733-0-0	1943 FRAME CASTING REWORK		1																
2	D-SC-1205348-0-0	288 PIN BLOCK #H803		4																
3	1205541	BUS STRIP		A/R																
4	9006210-6	SCR PHL HD FIL #8-32 X 5/8 SST		8																
5	9006035	SCR PHL HD PAN #8-32 X 1/4 SST		2																
6	9007597	TERMINAL #2116-08-0-0 SHAKEPROOF		2																
7	9107265-09	#22 TUBING, TEFLON, WHI		A/R																
8	9105740-44	#30 AWG SOLID TEF INS WIRE (YEL)		A/R																
9	9105740-66	#30 AWG SOLID TEF INS WIRE (BLU)		A/R																
10	1004812	CAPACITOR 15MFD 20V 10% S. TANT		1																
11	9006034	WASH INT TOOTH #8		2																
12	<del>D-AD-9605733-0-0</del>	<del>LOGIC FRAME BOARD WHI</del>																		
13	9105760-01	#22 AWG BUS WIRE		A/R																
14	9007655	TERMI POINT CLIP#85952-3 AMP INC		6																
15	1000080	50 MFD 50V-10 + 75% S. TANT		2																
16	9107265-06	#22 TUBING TEFLON BLU		A/R																
17	9107265-01	#22 TUBING TEFLON BRN		A/R																
18	1000030	CAPACITOR, .1MFD 100V 20% DISC		1																
19	1005306	CAPACITOR, 6.8MFD 35V 20% S. TANT.		3																
REF	K-WL-RS09-TA-WL	WIRE LIST																		
TITLE WIRED ASSY (RS09-TA)				ASSY NO. D-AD-7006493-0-0		SIZE CODE A PL		NUMBER 7006493-0-0				REV. E		ECO NO. RS09-TA 00059						
SHEET 1 OF 1				DIST.																

This drawing and specifications herein are the property of Digital Equipment Corporation and shall not be reproduced or used in whole or in part as a substitute for the original drawing.

WIRE TABLE				
NO.	AWG	COLOR	FROM	TO
5	22	BLK	5	M908-6
		BRN		-10
		RED		-34
		ORN		-37
		YEL		-30
		GRN		-29
		BLU		-28
		W/O		-27
		GRY		-26
		WHT		-25
		BLK		-20
		BRN		-23
5	22	RED	5	M908-25
6	22	BUS3	M908-37	-38
6	22		M908-39	-40
6	22		M908-41	-42
6	22	BUS3	M908-43	M908-44
5	22	ORN	5	M908-2
5	22	YEL	5	M908-24

COMPONENT TABLE					
ITEM	COMP	PKY	FROM	TO	REMARKS
7	RES		M908-1	M908-4	
7	RES		-5	-8	
8	DIO	+	-3	-6	NOTE 2
8	DIO	+	-7	-10	NOTE 2
9	RES		-9	-12	
9	RES		-11	-14	
11	RES		-13	-16	
13	RES		-20	-26	
16	DIO	+	-31	-34	NOTE 2
17	RES		M908-33	M908-36	

NOTES:  
 1. REMOVE RESISTORS. REPLACE WITH ITEM 6, 4 PLACES.  
 2. INSTALL DIODE AS FORWARD BIAS ANODE  CATHODE



QTY	DESCRIPTION	PART NO.	ITEM NO.
1	CAPACITOR 50MFD 100V 5%	10000078	18
1	RESISTOR 33Ω 1/4W 5%	1304831	17
1	DIODE 6.2ZENER 40 5%	1102421	16
1	CAPACITOR 15MFD 50V 5%	10000007	15
1	CAPACITOR 10MFD 100V 5%	10000006	14
1	RESISTOR 3K 1/4W 5%	1300432	13
1	RESISTOR 4.7K 1/4W 5%	1300447	12
1	RESISTOR 6.8K 1/4W 5%	1301923	11
1	RESISTOR 24K 1/4W 5%	1303177	10
2	RESISTOR 3.9K 1/4W 5%	1300444	9
2	DIODE D664	1100114	8
2	RESISTOR 5.6K 1/4W 10%	1300457	7
4	#22 AWG BUS WIRE	9107560-01	6
1	20 CONDUCTOR RIBBON CABLE	9107575	5
1	4032 STOCK MT TAPE 11/164	9007834	4
1	CABLE CLAMP	1202704	3
2	EYELET 634-7 STIMPSON	9006732	2
1	M908 MODULE	M908	1

REV	CHANGE NO.	BY	DATE
1	RS091A-0001	A	
2	RS091A-0002	E	
3	RS091A-0003	E	
4	RS091A-0004	E	
5	RS091A-0005	E	
6	RS091A-0006	E	
7	RS091A-0007	E	
8	RS091A-0008	E	
9	RS091A-0009	E	
10	RS091A-0010	E	
11	RS091A-0011	E	
12	RS091A-0012	E	
13	RS091A-0013	E	
14	RS091A-0014	E	
15	RS091A-0015	E	
16	RS091A-0016	E	
17	RS091A-0017	E	
18	RS091A-0018	E	
19	RS091A-0019	E	
20	RS091A-0020	E	
21	RS091A-0021	E	
22	RS091A-0022	E	
23	RS091A-0023	E	
24	RS091A-0024	E	
25	RS091A-0025	E	
26	RS091A-0026	E	
27	RS091A-0027	E	
28	RS091A-0028	E	
29	RS091A-0029	E	
30	RS091A-0030	E	
31	RS091A-0031	E	
32	RS091A-0032	E	
33	RS091A-0033	E	
34	RS091A-0034	E	
35	RS091A-0035	E	
36	RS091A-0036	E	
37	RS091A-0037	E	
38	RS091A-0038	E	
39	RS091A-0039	E	
40	RS091A-0040	E	
41	RS091A-0041	E	
42	RS091A-0042	E	
43	RS091A-0043	E	
44	RS091A-0044	E	
45	RS091A-0045	E	
46	RS091A-0046	E	
47	RS091A-0047	E	
48	RS091A-0048	E	
49	RS091A-0049	E	
50	RS091A-0050	E	

FIRST USED ON OPTION/MODEL: RS091A

DO NOT SCALE DRAWING UNLESS OTHERWISE SPECIFIED

UNLESS OTHERWISE SPECIFIED DIMENSION IN INCHES

TOLERANCES: DECIMALS FRACTIONS ANGLES ± .008 ± 1/64 ± 0°30'

FINAL SURFACE QUALITY: REMOVE BURRS AND BREAK SHARP CORNERS

MATERIAL: \_\_\_\_\_

FINISH: \_\_\_\_\_

DATE: 12-20-67

ENGINEER: \_\_\_\_\_

PROJ. ENG: \_\_\_\_\_

PROD. DATE: \_\_\_\_\_

NEXT HIGHER ASSY: DAD9305486-0-0

SCALE: \_\_\_\_\_

SHEET: 1 OF 1

DIST: \_\_\_\_\_

CONTROL PANEL CABLE ASS'Y

SIZE CODE: DIA 7006522-0-0

NUMBER: \_\_\_\_\_

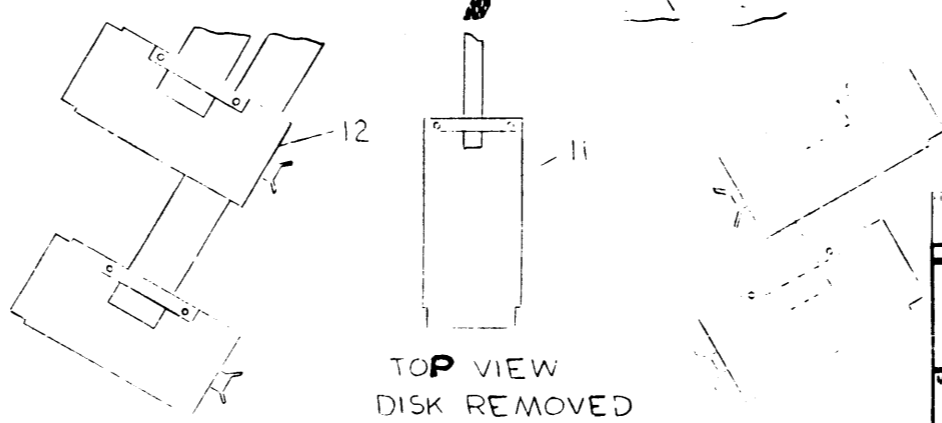
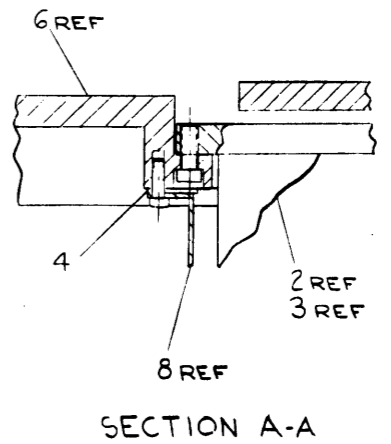
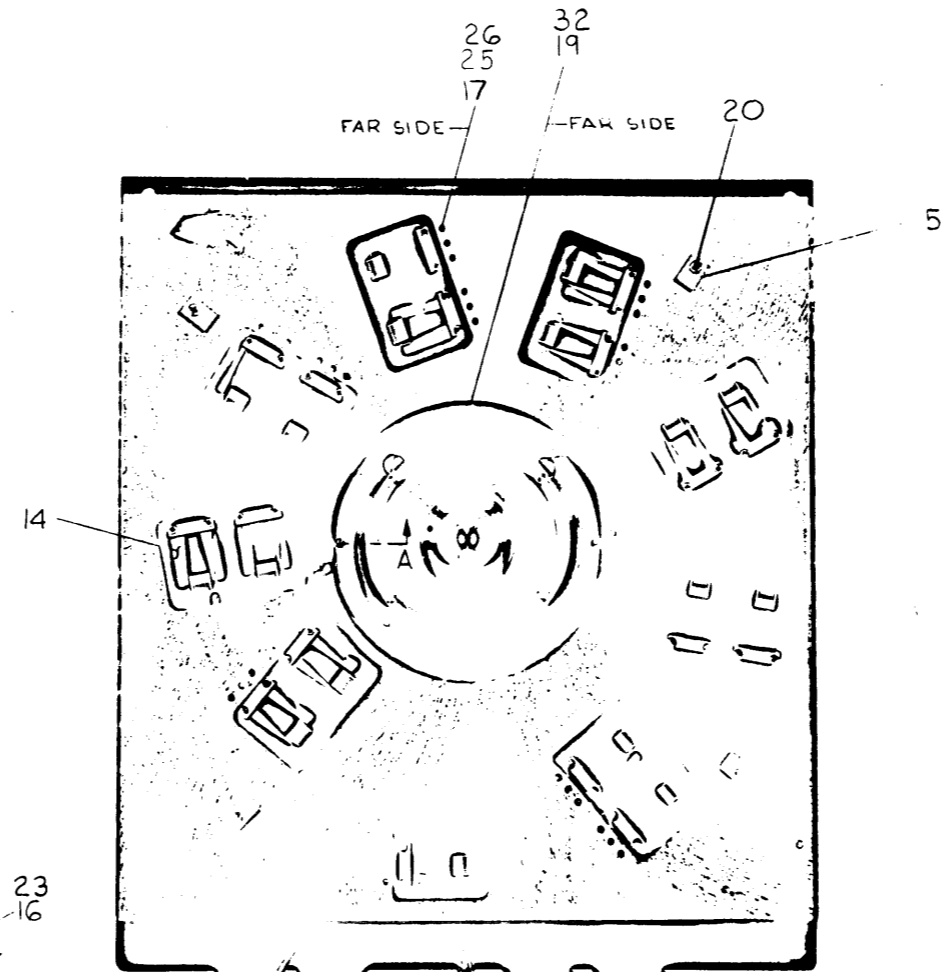
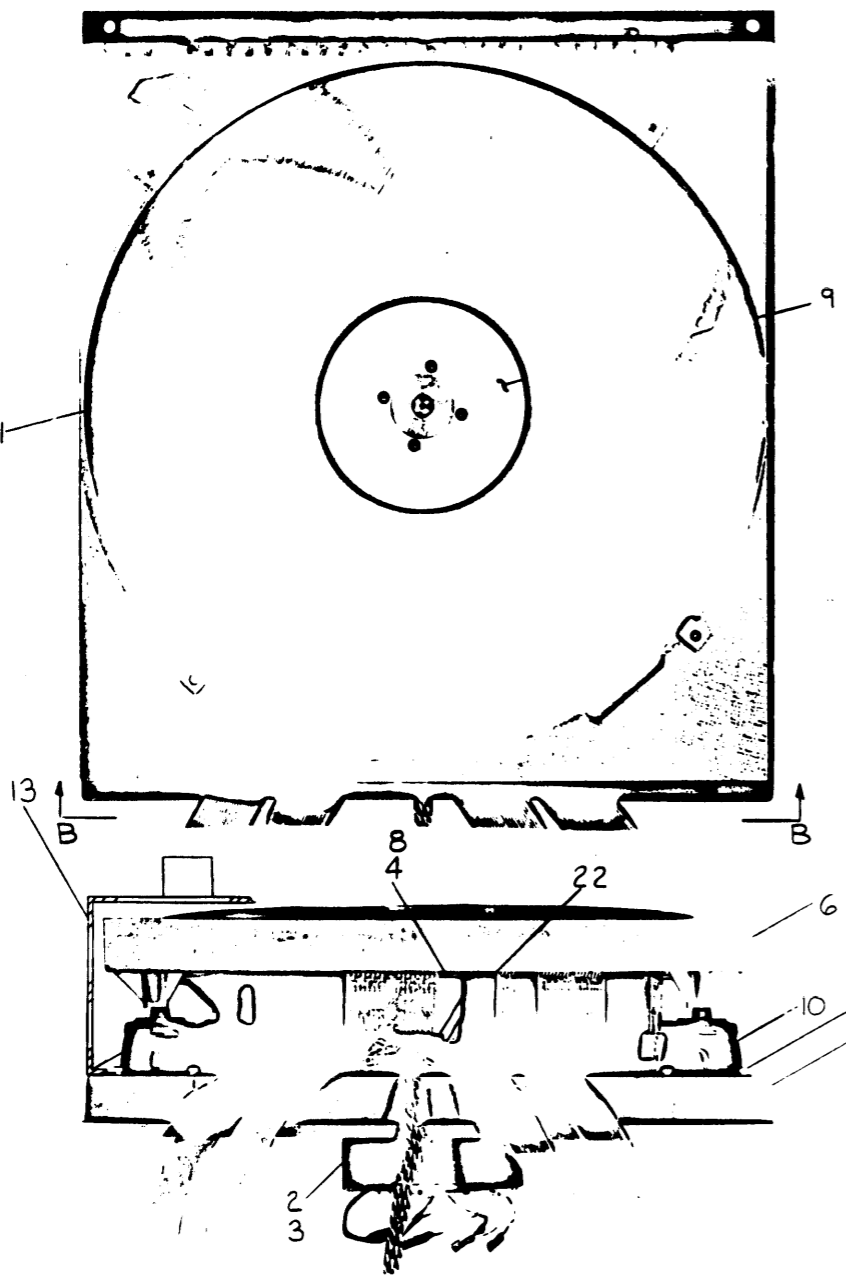
REV: \_\_\_\_\_



The drawing and specifications herein are the property of Digital Equipment Corporation and shall not be reproduced, stored in a retrieval system, or transmitted in any form or by any means, electronic, mechanical, photocopying, recording, or otherwise, without the prior written permission of Digital Equipment Corporation.

NUMBER	LEGEND	VARIATION
RS08-M		60 HZ
RS08-MA		50 HZ

- NOTES:
1. FOR DWG INDEX LIST REFER TO D-DI-RS08-M-1.
  2. APPLY TORQUE SEAL (BLUE) 2 PLACES IN SCREW LOCATIONS ON SIDES OPPOSITE.
  3. AIR COVER (ITEM 36) TO BE ATTACHED TO DECK (ITEM 6) WITH RTV (ITEM 35.) MUST BE AN AIR-TIGHT SEAL.
  4. MOTOR LOCK (ITEM #41) TO BE REMOVED AND ROTATED 180° AND REATTACHED TO MOTOR HOUSING WITH BRUSH ASSEMBLY IN CONTACT WITH MOTOR SHAFT EXTENSION BEFORE STARTING MOTOR.
  5. BRUSH ASSEMBLY (ITEM #42) TO BE ASSEMBLED TO MOTOR LOCK (ITEM #41) USING ITEMS #43 & #44 (SEE DETAIL "A")



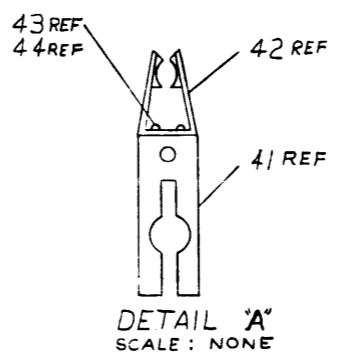
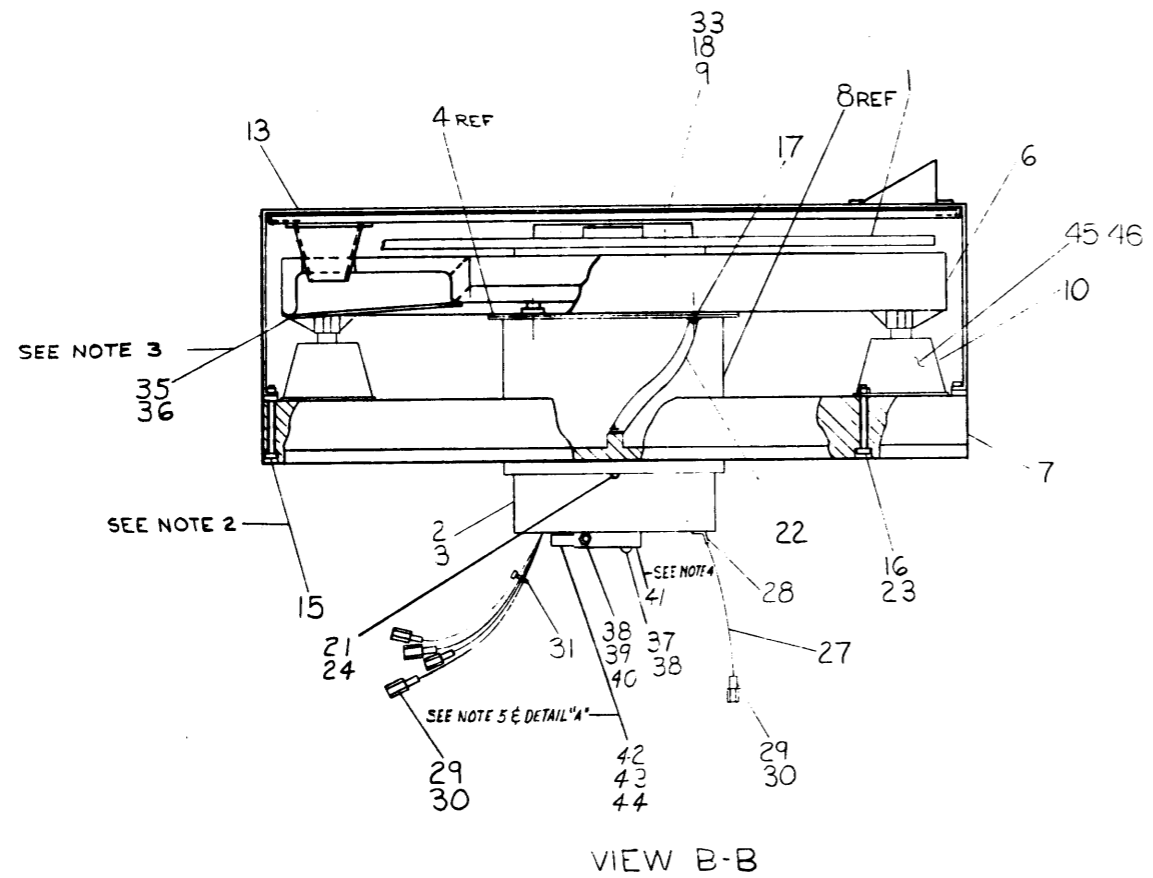
REV.	DATE	BY	CHKD BY
1	6-17-74	G. MC FALL	
2	6-17-74	SVENDSEN	
3	6-17-74	SVENDSEN	
4	6-17-74	SVENDSEN	
5	6-17-74	SVENDSEN	
6	6-17-74	SVENDSEN	
7	6-17-74	SVENDSEN	
8	6-17-74	SVENDSEN	

REV.	DATE	BY	CHKD BY
1	4/30/64	PROJ ENG	
2	4/30/64	PROJ ENG	
3	4/30/64	PROJ ENG	

QTY.	DESCRIPTION	PART NO.	ITEM NO.
1	DISK ASSY	RS08-M	D

UNLESS OTHERWISE SPECIFIED	PARTS LIST	
DO NOT SEAL DRAWING	digital EQUIPMENT CORPORATION	
DIMENSIONS IN INCHES	MAYNARD MASSACHUSETTS	
TOLERANCES	TITLE	
DECIMALS FRACTIONS ANGLES	DISK ASSY	
0.008 0.008 1:64 0:30	NUMBER	
FINAL SURFACE QUALITY	D VA RS08-M-0	
REMOVE BURRS AND BREAK SHARP CORNERS	REV.	
	D	

This drawing and specifications, herein, are the property of Digital Equipment Corporation and shall not be reproduced or copied or used in whole or in part as the basis for the manufacture or sale of items without written permission.



REVISIONS	REV.
CHANGE NO.	
CHK	

QTY.	DESCRIPTION	PART NO.	ITEM NO.
PARTS LIST			
UNLESS OTHERWISE SPECIFIED			
DIMENSION IN INCHES			
TOLERANCES			
DECIMALS	FRACTIONS	ANGLES	
± .004	± 1/64	± 0°30'	
FINAL SURFACE QUALITY			
REMOVE BURRS AND BREAK SHARP CORNERS			
MATERIAL	FIRST USED ON	DATE	
FINISH	SCALE	SHEET	2 OF 2
TITLE		SIZE CODE	NUMBER
DISK ASSY		DUA	RS08-M-0
REV			D

DIGITAL EQUIPMENT CORPORATION MAYNARD, MASSACHUSETTS			QUANTITY / VARIATION	
PARTS LIST			RS08-M (60HZ)	RS08-MA (50HZ)
MADE BY G. FLANDERS	CHECKED D. HEALY	SECTION		
DATE 3/25/69	DATE 3/26/69	ISSUED SECT. 1		
ENG IRA MORRIS	PROD <i>[Signature]</i>	ISSUED SECT. 1		
DATE 4/10/69	DATE 4/10/69			
ITEM NO.	DWG NO. / PART NO.	DESCRIPTION	RS08-M (60HZ)	RS08-MA (50HZ)
1	1005981	DISK	1	1
2	D-IA-7406866-1-0	MOTOR & HUB ASSY (60HZ)	1	
3	D-IA-7406866-2-0	MOTOR & HUB ASSY (50HZ)	1	
4	B-MD-7407023-0-0	GASKET BUNNEL	1	1
5	B-MD-7406999-0-0	BUMPER DISK	4	4
6	E-IA-7407058-0-0	DECK	1	1
7	E-IA-7407008-0-0	DECK MOUNTING BOTTOM	1	1
8	D-IA-7407024-0-0	FUNNEL	1	1
9	C-MD-7407004-0-0	CAP DISK	1	1
10	1203119	SHOCK MT 156-PHW-13 (LORD)	4	4
11	D-AD-7006197-0-0	HARNES TIMING TRACK	1	1
12	D-IA-7006221-0-0	DATA HEAD HARNES	1	1
13	D-AD-7006147-0-0	COVER ASSY	1	1
14	C-AD-7005745-0-0	HEAD SHW ASSY	17	17
15	9007909	SCR SOC HD #6-32 x 1 3/4	12	12
16	9007955	SCR SOC HD #8-32 x 1 1/4	16	16
17	9006024-1	SCR PH HD PAN #6-32 x 1/4	59	59
18	9006332	SCR SOC HD #6-32 x 3/4	4	4
19	9006347	SCR SOC HD #10-32 x 5/8	4	4
20	9006021-2	SCR FLAT HD #6-32 x 5/16	4	4
21	9006029-1	SCR PH HD PAN #6-32 x 1/4	1	1
22	9006990	GND STRAP JANCO #740F-33-20	1	1

TITLE	ASSY NO.	SIZE CODE	NUMBER	REV	ECO NO
DISK ASSY RS08-M	D-UA-RS08-M-#	A PL	RS08-M-#	D	RS08M 00011
	SHEET 1 OF 3	DIST. G			

DIGITAL EQUIPMENT CORPORATION MAYNARD, MASSACHUSETTS			QUANTITY / VARIATION	
PARTS LIST			RS08-M (60HZ)	RS08-MA (50HZ)
MADE BY G. FLANDERS	CHECKED D. HEALY	SECTION		
DATE 3/25/69	DATE 3/26/69	ISSUED SECT. 1		
ENG IRA MORRIS	PROD <i>[Signature]</i>	ISSUED SECT. 1		
DATE 4/10/69	DATE 4/10/69			
ITEM NO.	DWG NO. / PART NO.	DESCRIPTION	RS08-M (60HZ)	RS08-MA (50HZ)
13	9006563	NUT KEPS #8	16	16
14	9006560	NUT KEPS #6	1	1
5	9006633	WASH INT TOOTH LOCK #6	59	59
6	9006656	WASH FLAT #6	59	59
7	9107360-00	#18 GA STRD TEF INS (BLK)	N/A/R	N/A/R
8	9006781	SOLDERLESS CONN #34132 AMP INC	1	1
9	9006997	SOLDERLESS CONN#42025-1 AMP INC	5	5
30	9107305	HY SHRINK TUBING RED	N/A/R	N/A/R
31	9007031	TY WRAP #SST-1-AB	N/A/R	N/A/R
32	9007906	SPLIT LOCK WASH #10	4	4
33	9007801	SPLIT LOCK WASH #6	4	4
34	9007941	TORQUE SEAL (BLUE) ORGANIC PROD	N/A/R	N/A/R
35	9009058	RTV (LOW ORGANIC) GE	N/A/R	N/A/R
36	C-MD-7408195-0-0	AIR COVER	1	1
37	9006011-1	#4-40 X .38 PH PAN HD SCREW	1	1
38	9008172	#4 WASHER	2	2
REF	E-MD-9305076-0-0	GLASS ALIGNMENT DISK		
39	9006017-1	#4-40 X 1.00 PH PAN HD SCREW	1	1
40	9006557	#4-40 KEPS NUT	1	1
41	C-MD-7408858	MOTOR LOCK	1	1
42	12-10659	BRUSH ASSEMBLY	1	1
43	9006000-1	#2-56 X .25 PH PAN HD SCREW	2	2

TITLE	ASSY NO.	SIZE CODE	NUMBER	REV	ECO NO
DISK ASSY RS08-M	D-UA-RS08-M-#	A PL	RS08-M-#	D	
	SHEET 2 OF 3	DIST. G			

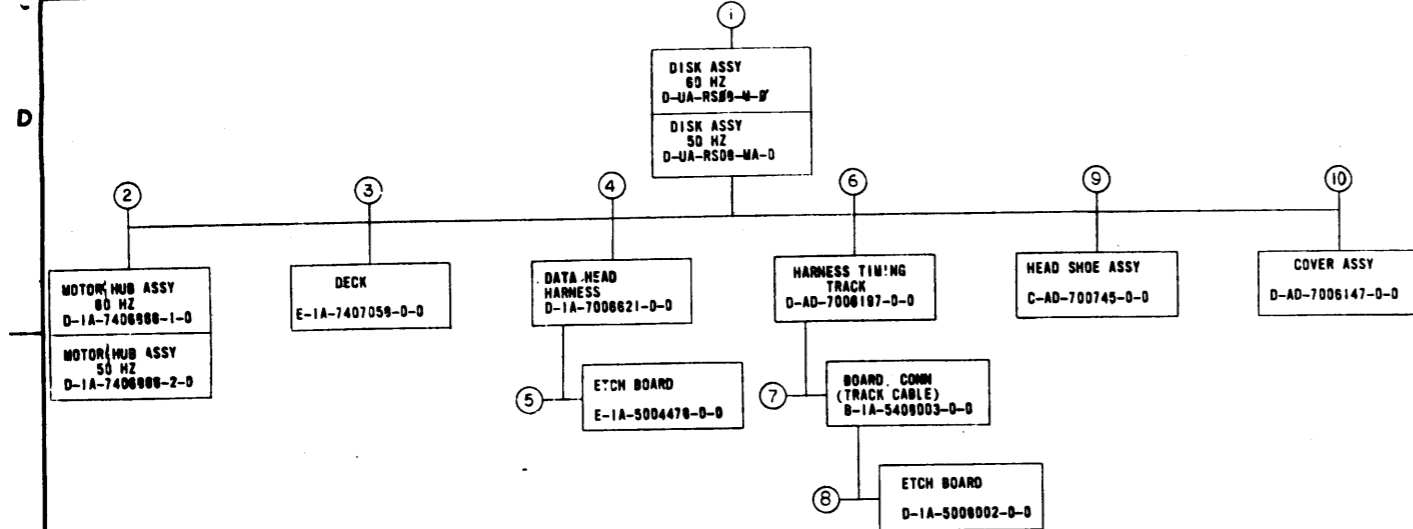
DEC  
DRA

DIGITAL EQUIPMENT CORPORATION MAYNARD, MASSACHUSETTS			QUANTITY / VARIATION	
PARTS LIST			RS08-M (60HZ)	RS08-MA (50HZ)
MADE BY G. FLANDERS	CHECKED D. HEALY	SECTION		
DATE 3/25/69	DATE 3/26/69	ISSUED SECT. 1		
ENG IRA MORRIS	PROD <i>[Signature]</i>	ISSUED SECT. 1		
DATE 4/10/69	DATE 4/10/69			
ITEM NO.	DWG NO. / PART NO.	DESCRIPTION	RS08-M (60HZ)	RS08-MA (50HZ)
44	9006631	#2 INTERNAL TOOTH LOCKWASHER	2	2
45	9006377	SCR, SOC HD CAP 1/2-20 X 1 1/4	4	4
46	9006637	WASHER, INT TOOTH #1214	4	4

TITLE	ASSY NO.	SIZE CODE	NUMBER	REV	ECO NO
DISK ASSY RS08-M	D-UA-RS08-M-#	A PL	RS08-M-#	D	
	SHEET 3 OF 3	DIST. G			



This drawing and specifications, herein, are the property of Digital Equipment Corporation and shall not be reproduced or copied in whole or in part, or the name for the manufacture or sale of items without written permission.



MECHANICAL			DEPT USAGE			ELECTRICAL			DEPT USAGE		
FIND NO	DESCRIPTION	PART NO	PRG	CUST	F C	FIND NO	DESCRIPTION	PART NO	PRG	CUST	F C
1	DISK ASSY 60 HZ DISK ASSY 50 HZ DISK ASSY (PL) GASKET FUNNEL BUMPER DISK DECK MOUNTING BOTTOM FUNNEL CAP DISK GLASS ALIGNMENT DISK AIR COVER	D-UA-RSØ8-M-1 D-UA-RSØ8-MA-1 A-PI-RSØ8-M-1 B-MD-7404023-0-0 B-MD-7408999-0-0 E-IA-7407024-0-0 D-IA-7407024-0-0 C-MD-7407004-0-0 E-MD-9305078-0-0 C-MD-7408995-0-0				1	DISK ASSY 60 HZ RSØ8-M DISK ASSY 50 HZ RSØ8-MA HEAD MATRIX WIRE LIST	A-MI-RSØ8-M A-MI-RSØ8-MA B-BI-RSØ8-M-2 K-WI-RSØ8-P-WI			
2	MOTOR HUB ASSY 60 HZ MOTOR HUB ASSY 50 HZ HUB MOTOR	D-IA-7408988-1-0 D-IA-7408988-2-0 C-MD-7407032-0-0				REF	WIRED ASSY (RSØ8) WIRED ASSY (RSØ8-P) (PL)	D-AD-7006109-0-0 A-PL-7006109-0-0			
3	DECK ALIGNING, PIN MOTOR	E-IA-7407059-0-0 B-MD-7407028-0-0				REF	REF'S RSØ8 CABLE ARRANGEMENT	D-IC-RSØ8-J-3			
4	DATA HEAD HARNESS RECP. 18 PIN DATA HEAD HARNESS PACKAGING INSTR. RSØ8 CABLE HARNESS PACK	D-IA-7008621-0-0 B-MD-5509250-0-0 A-PI-3700029-0-0									
5	ETCH BOARD PRINTED CIRCUIT	E-IA-5004478-0-0 PC-5004478									
6	HARNESS TIMING TRACK HARNESS TIMING TRACK (PL)	D-AD-7008187-0-0 A-PL-7008187-0-0									
7	BOARD, CONN (TRACK CABLE) 18 PIN RECP. (TIMING TRACK HARNESS)	B-IA-5408003-0-0 B-MD-5508273-0-0									
8	ETCH BOARD P.C. ETCH PATTERN	D-IA-5008002-0-0 PC-5408003									
9	HEAD SHOE ASSY HEAD SHOE ASSY (PL) RSØ8-M READ-WRITE HEAD	C-AD-7008145-0-0 A-PI-7008145-0-0 A-PI-3700041-0-0									
10	COVER ASSY COVER ASSY (PL) COVER DECAL (COVER) DECAL WARNING	D-AD-7006147-0-0 A-PL-7006147-0-0 D-IA-7407001-0-0 A-DC-7407205-0-0 A-DC-7409037-0-0									

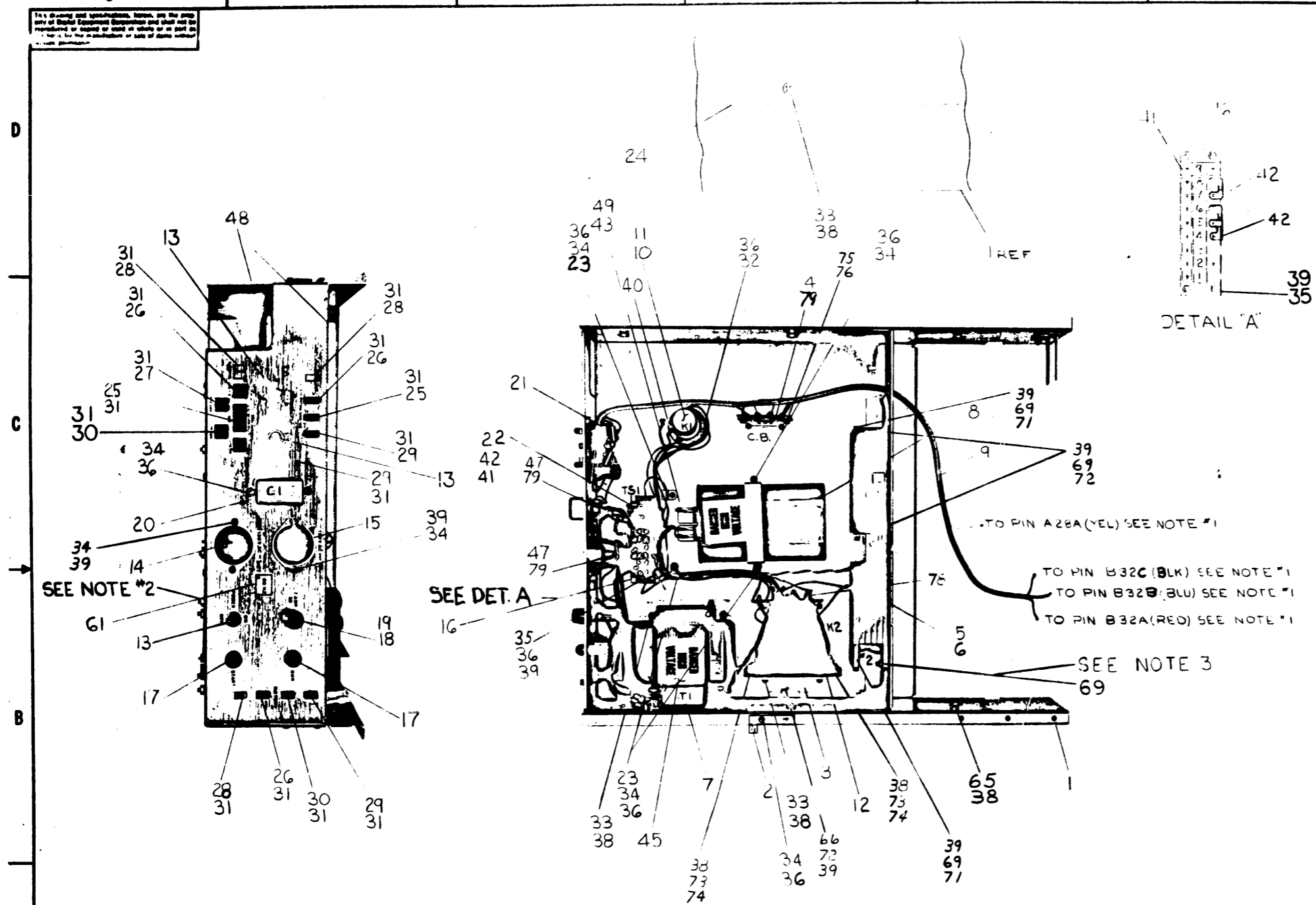
REV.	CHG	NO.	DATE	BY	DESCRIPTION
1	RSØ8-00002	A			ORIGINATED
2	RSØ8M-00003	A	11/16/69	6 MC FALL	
3	RSØ8M-00006	B	12/17/69		
4	RSØ8M-00008	C	2/25/71		
5	RSØ8M-00009	C	5/17/71		
6	RSØ8M-00011	D	6/20/71		

UNLESS OTHERWISE SPECIFIED DIMENSIONS IN INCHES TOLERANCES DECIMALS FRACTIONS ANGLES ± .005 ± 1/64 ± 0°00'	DATE 3/2/69 DATE 3/10/69 DATE 2/18/65 DATE 11/15/69 DATE 9/16/66	DRN DATE DATE DATE DATE	BY BY BY BY BY	DATE DATE DATE DATE DATE	BY BY BY BY BY
MATERIAL + + + + +		FINISH + + + + +		TITLE DWG INDEX RSØ8-M	
PART USED ON OPTION MODEL RSØ8-M		QTY.		DESCRIPTION	
PARTS LIST		PART NO.		ITEM NO.	
EQUIPMENT CORPORATION MAYNARD MASSACHUSETTS		SCALE		SHEET OF	
A-MI-RSØ8-M		DISTR.		REV. D	

All drawings and specifications herein are the property of Digital Equipment Corporation and shall not be reproduced or copied in whole or in part for any purpose other than that for which they were prepared.

1 2 3 4 5 6 7 8

- NOTES:**
1. TAG END OF WIRES AS INDICATED.
  2. PLACE PROPER DECAL #A-DC-7406707-0-0 (50 OR 60HZ) AT TIME OF INSTALLATION IN SYSTEM CABINET AS SHOWN.
  3. SPACE FAN SCREENS OFF FANS WITH #6 FLAT WASHERS (ITEM 69) 16 PLACES



REV.	DATE	BY	CHKD.	DESCRIPTION
1				ORIGINAL
2				SAVIERS
3				SAVIERS
4				SAVIERS
5				SAVIERS
6				SAVIERS
7				SAVIERS
8				SAVIERS

QTY.	DESCRIPTION	PART NO.	ITEM NO.
	RS08-F		
PARTS LIST			
UNLESS OTHERWISE SPECIFIED			
DIMENSION IN INCHES			
TOLERANCES			
DECIMALS	FRACTIONS	ANGLES	
± .005	± 1/64	± 0°30'	
FINISH SURFACE QUALITY			
REMOVE BURRS AND BREAK SHARP CORNERS			
MATERIAL			
FIRST USE ON:			
D-UA-RS08-F-φ			
FINISH			
SCALE 1" = 1"			
SHEET OF 2			
TITLE		NUMBER	REV.
CHASSIS ASSY		D1AD7006156-0-0	L
W/O LOGIC			

DATE CODE D1AD7006156-0-0

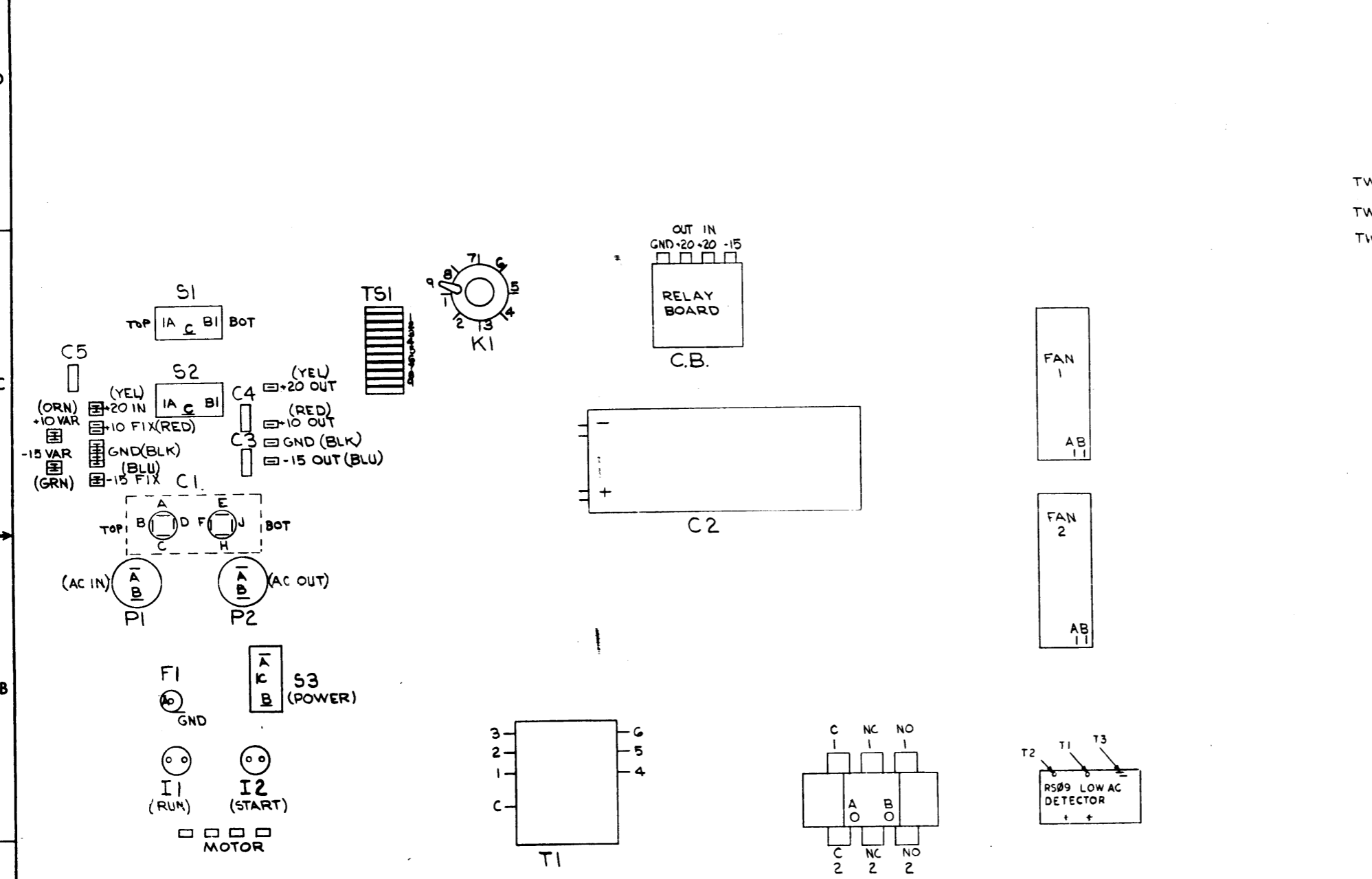
WIRE TABLE

ITEM NO	DESCRIPTION	CONNECTIONS	EQUIP FROM	EQUIP TO
NO	ANG	COLOR	FROM	TO
51	18	RED	T1- 1	TSI- 8
56		WHT	T1-C	TSI- 6
52		ORN	T- G	TSI- 9
57		GRY/RED	K2-NC- 1	K1- 2
66		RES R1	K2-NC- 1	K2-NO- 1
58		GRY/GRN	K2-C- 1	K2- T3
58		GRY/GRN	RS09- T3	K1- 7
59		GRY/WHT	RS09- T1	K1- 3
59		GRY/WHT	T1	C1- F
52		ORN	K2-NO- 2	TSI- 9
51		RED	K2-NC- 2	TSI- 7
51		RED	TSI- 7	K1- 5
51		RED	K2-NC- 2	K2-C- 2
60		RED	FAN-1- A	FAN-2- A
60		WHT	FAN-1- B	FAN-2- B
60		RED	FAN-1- A	TSI- 8
60		WHT	FAN-1- B	TSI- 6
53		YEL	C2+	MOTOR- YEL
51		RED	C2-	MOTOR- RED
57		GRY/RED	C2-	K1- 2
50		BLK	C.B- GND	GND
50		BLK	C.B- GND	SEE NOTE 1
53		YEL	C.B-OUT+20	+20 OUT
53		YEL	C.B-OUT+20	SEE NOTE 1
53		YEL	C.B-IN+20	+20 IN
55		BLU	C.B- (-)15	SEE NOTE 1
55		BLU	C.B- (-)15	-15 OUT
50		BLK	K1- 1	K1- 9
		BLK	I1(RUN)	F1- GND
		BLK	I1(RUN)	MOTOR- GRN
		BLK	I2(START)	MOTOR- RED
		BLK	I2(START)	MOTOR- GRN
56		WHT	MOTOR- GRN	TSI- 4- 6
51		RED	F1- GND	TSI- 8
51		RED	F1- A	S3-C(POWER)
51		RED	S3- B	C1- D
51		RED	P1-A(BRASS)	P2-A(BRASS)
56		WHT	P1-B(TIN)	P2-B(TIN)
51		RED	P2-A(BRASS)	TSI- 3
56		WHT	P2-B(TIN)	TSI- 1
63		RED	C1- B	TSI- 3
62		WHT	C1- E	TSI- 1
56		WHT	C1- J	TSI- G
54		GRN	S2- A	-15 VAR
55		BLU	S2- B	-15 FIX
55		BLU	S2- C	-15 OUT
52		ORN	S1- A	+10 VAR
51		RED	S1- B	+10 FIX
51		RED	S1- C	+10 OUT
21		CAP	C3	-15 OUT
21		CAP	C3	GND
21		CAP	C4	GND
21		CAP	C4	+10 OUT
21		CAP	C5	+20 IN
21		CAP	C5	GND
51		RED	C.B- (+)10 OUT	SEE NOTE 1
50		BLK	GND	GND
56	18	WHT	MOTOR- BLU	MOTOR- GRN

\* MOUNT ON K2, T2 TO A & T1 TO B  
 \* LETTER DESIGNATION "A" INDICATES WIRE IS TO BE SOLDERED PER ABOVE TABLE

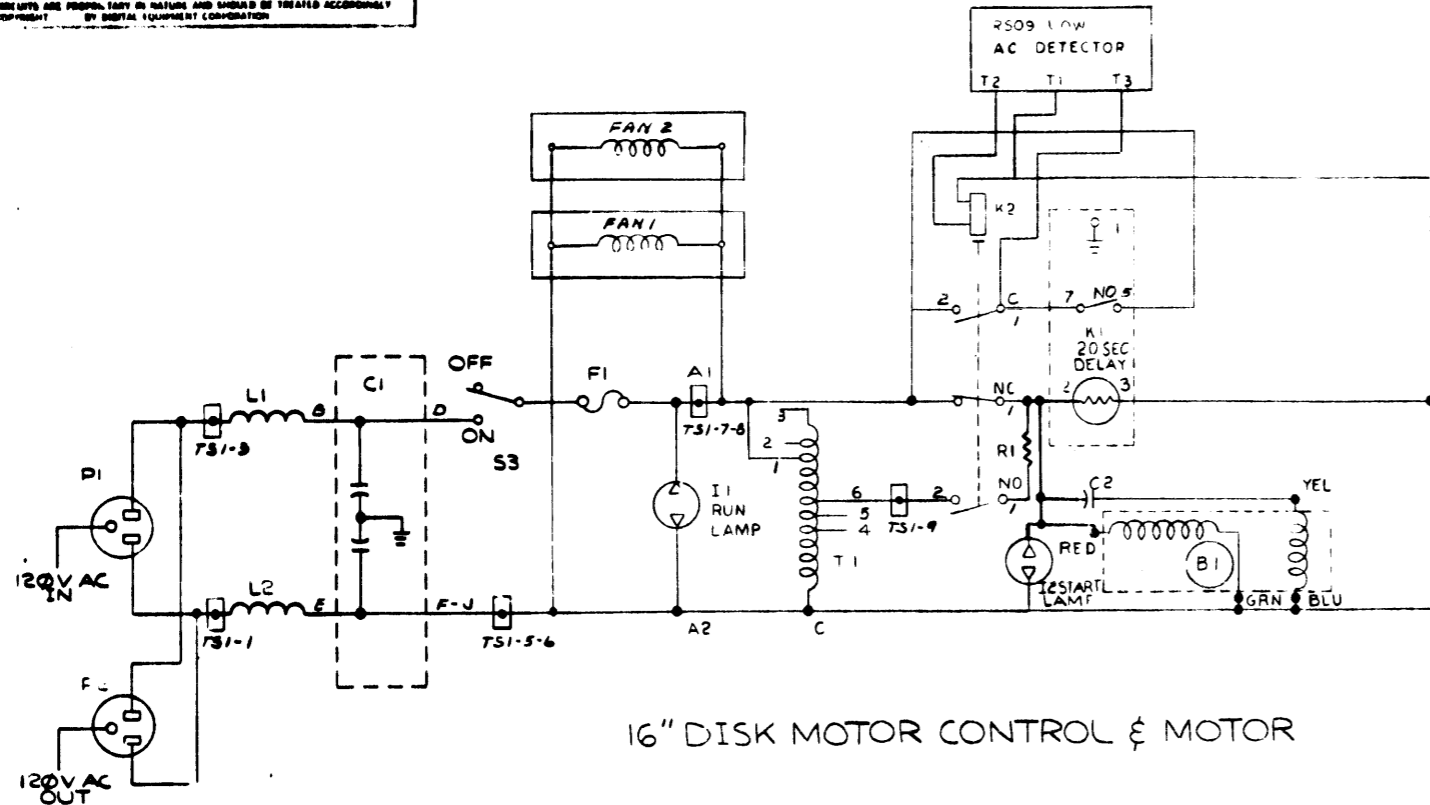
QTY.	DESCRIPTION	PART NO.	ITEM NO.
PARTS LIST			
UNLESS OTHERWISE SPECIFIED			
DIMENSION IN INCHES			
TOLERANCES			
DECIMALS FRACTIONS ANGLES			
± .005 ± .002 ± .001			
FINAL SURFACE QUALITY			
REMOVE BURRS AND BREAK SHARP CORNERS			
MATERIAL			
FINISH			
DATE 7/17/69			
DRAWN BY [Signature]			
CHECKED BY [Signature]			
APPROVED BY [Signature]			
EQUIPMENT CORPORATION			
MAYNARD MASSACHUSETTS			
TITLE			
CHASSIS ASSY			
W/O LOGIC			
FIRST USED ON			
SIZE CODE			
NUMBER			
DAD7006156-0-0			
REV. L			
SCALE			
SHEETS 2 OF 2			
DIST			

This drawing and specifications, herein, are the property of Digital Equipment Corporation and shall not be reproduced or copied or used in whole or in part as the basis for the manufacture or sale of items without written permission.

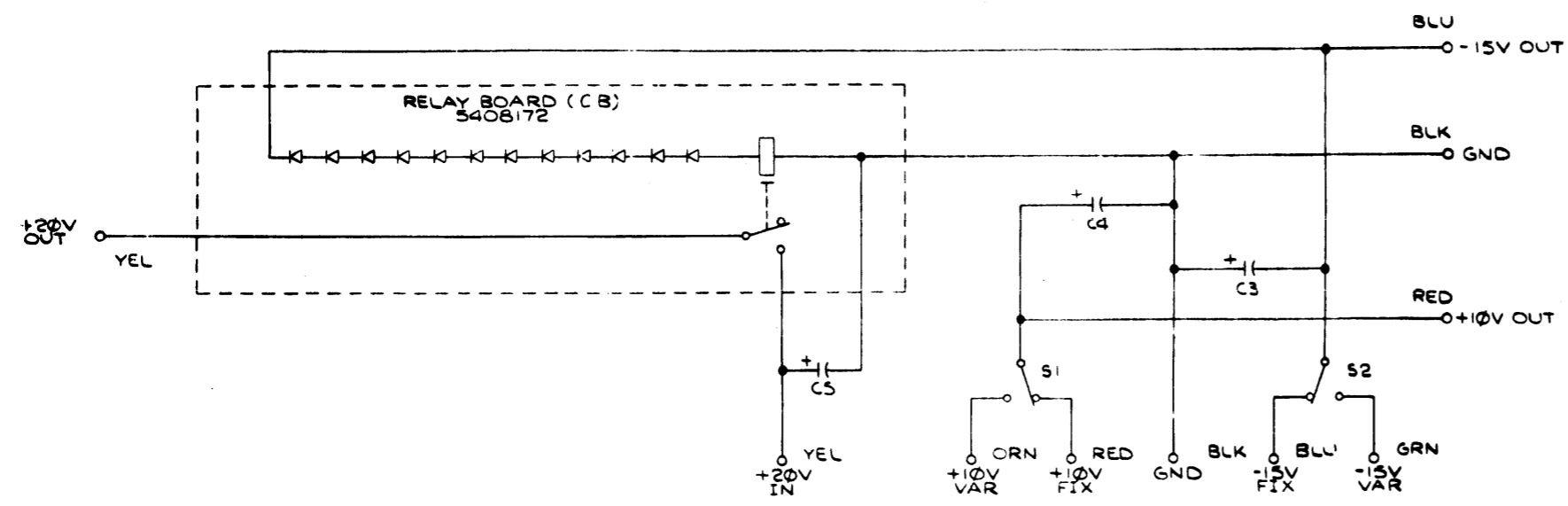
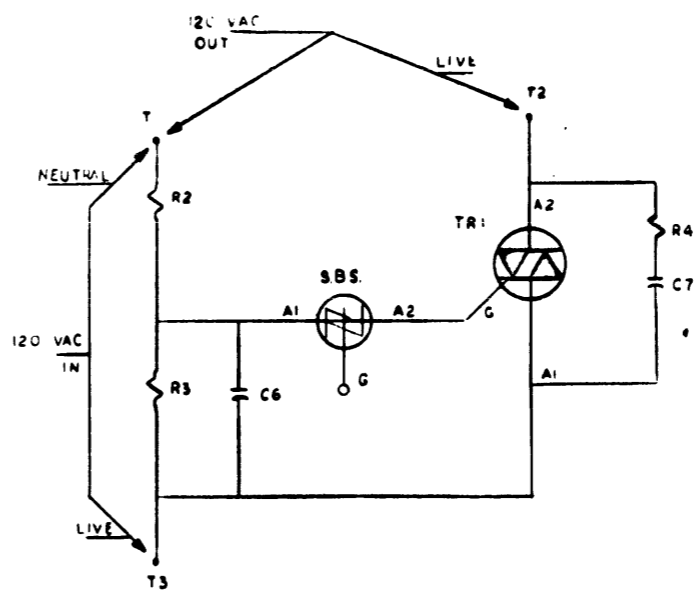


REV.	CHANGE NO.

THIS SCHEMATIC IS FURNISHED ONLY FOR TEST AND MAINTENANCE PURPOSES. THE  
 OPERATOR IS RESPONSIBLE IN RETURN AND SHOULD BE TREATED ACCORDINGLY  
 COMMENT BY SERIAL EQUIPMENT CORPORATION



16" DISK MOTOR CONTROL & MOTOR



RS08 D.C. POWER CONTROL

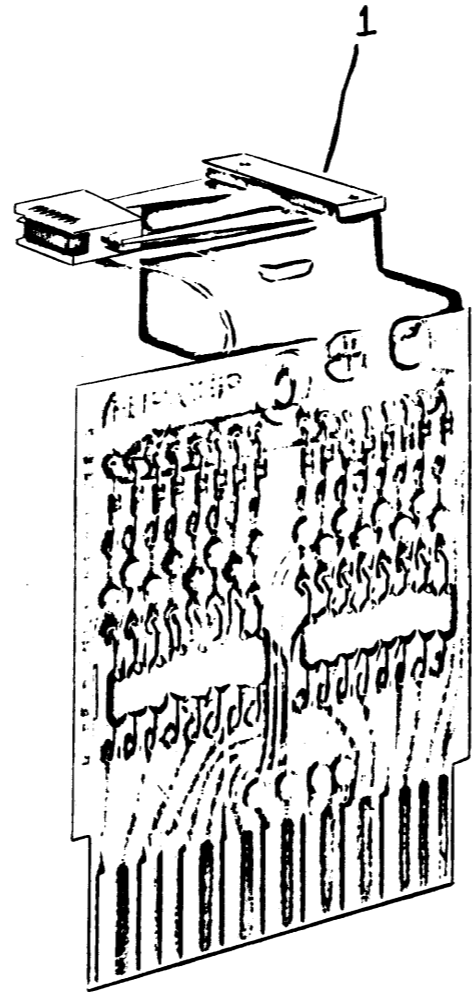
RS09 LOW AC DET	MODULE	5409920
RS09 LOW AC DET	CIRCUIT BOARD	5009919
R2	RES 5K 3.5W 5%	1310911
R3	RES. 360Ω 1/2W 5%CC	1302383
R4	RES. 10K 1/4W 5%CC	1300479
C6	CAP 10MFD 100V 20%	1000030
C7	CAP .033 MFD 100V 10%	1000050
SBS	2N4992 TRIAC TRIGGER	1510910
TR1	TRIAC DEC 40669	1510070
FAN1, FAN2	FAN, MUFFIN ROTRON	1205033
T51	TERM STRIP #9-540 1/2 INCH JONES	9006912
R1	RES 1.5Ω 55W	1302702
C1	CAP 2.2 MFD 600VDC	1002153
C2	CAP 30 MFD 370V	1009122
C3, C4, C5	CAP 50 MFD 50V	1000080
K1	TIMING RELAY	1209121
K2	EBERT RELAY	1209491
B1	MOTOR 50 HZ	1209003-21
B1	MOTOR 60 HZ	1209003-20
I1, I2	LIGHT PILOT 110V	1205458
T1	2:1 AUTO XMFR	1609313
S1, S2, S3	SWITCH SPDT	1202279
L1, L2	TUBE FERROXCUBE	1603147
F1	7 AMP S.B. FUSE	9007224
CB	RELAY BOARD	5408172
P1	SOC 3 PIN AC MALE	1201252
P2	SOC 3 PIN FEMALE	1201251
REF DESIGNATION	DESCRIPTION	PART NO.

PARTS LIST

REVISIONS	DATE	BY	DESCRIPTION				
<table border="1"> <tr> <td>TITLE</td> <td>POWER CONTROL AND MOTOR CONTROL</td> </tr> <tr> <td>EQUIPMENT CORPORATION</td> <td>7006156-0-1</td> </tr> </table>				TITLE	POWER CONTROL AND MOTOR CONTROL	EQUIPMENT CORPORATION	7006156-0-1
TITLE	POWER CONTROL AND MOTOR CONTROL						
EQUIPMENT CORPORATION	7006156-0-1						

This drawing and specifications, herein, are the property of Digital Equipment Corporation and shall not be reproduced or copied or used in whole or in part as the basis for the manufacture or sale of items without written permission.

LEGEND	
NUMBER	VARIATION
7005745-0	UNLOADED (FROM VENDOR)
7005745-1	RELOADED TO 31 GRAMS
7005745-2	RELOADED TO 25 GRAMS



REV.	CHANGE NO.	DATE	BY	CHK
A	RS08-00002	4/27/69	I. MORRIS	
B	7005745-00001	1/17/75	G. SAVIERS	

QTY.	DESCRIPTION	PART NO.	ITEM NO.										
PARTS LIST													
UNLESS OTHERWISE SPECIFIED		DIGITAL EQUIPMENT CORPORATION											
DRN. R. COOK	G.F. DATE 2/5/68	<table border="1"> <tr> <td colspan="2">TITLE</td> </tr> <tr> <td colspan="2" style="text-align: center;">HEAD SHOE ASSY</td> </tr> <tr> <td>SIZE CODE</td> <td>NUMBER</td> </tr> <tr> <td>CAD7005745-0-0</td> <td></td> </tr> <tr> <td>REV.</td> <td>B</td> </tr> </table>		TITLE		HEAD SHOE ASSY		SIZE CODE	NUMBER	CAD7005745-0-0		REV.	B
TITLE													
HEAD SHOE ASSY													
SIZE CODE	NUMBER												
CAD7005745-0-0													
REV.	B												
CER'D. J. MOLSHEFSKI	D.H. DATE 3/6/68												
ENG. K. E. FITZGERALD	DATE 4-12-68												
PROJ. ENG. S. F. LAMBERT	DATE 4-12-68												
PROD. R. W. ANTONIO	DATE 5-12-68												
MATERIAL		NEXT HIGHER ASSY											
FINISH		D-UA-RS08-M-0											
SCALE		SHEET 1 OF 1											

DEC FORM NO. 010

PART NO. 7005745-0-0  
 SIZE CODE CAD  
 REV. B

DIGITAL EQUIPMENT CORPORATION MAYNARD, MASSACHUSETTS			QUANTITY / VARIATION			
PARTS LIST						
MADE BY K. GULICK	CHECKED K. RUSS	SECTION				
DATE 3/12/69	DATE 3/24/69	ISSUED SECT.				
ENG F.H. Amara	PROD	DATE 4/1/69				
ITEM NO.	DWG NO. / PART NO.	DESCRIPTION				
44	9006634	WASH INT TOOTH #8 HOLE	4			
45	9006045-1	SCR PHL HD PAN #8-32 x 1 1/2 LG	4			
46	9006823	SPACER 3/8 A.F. x 3/4 LG x #8 HOLE	4			
47	9007920	CONN #50906-7 ARK-LES	R			
48	D-MD-5304451-0-0	FAN BRKT	1			
49	9007032	TIE WRAP SST-2-B PANDUIT	A/R			
50	9107370-7	WIRE #14 AWG STRD TEF BLU	A/R			
51	9007634	CONN #362429 AMP	A/R			
52	9107390-10	WIRE #10 AWG STRD TEF INS WHT	A/R			
53	9107390-7	WIRE #10 AWG STRD TEF INS BLU	A/R			
54	9107370-5	WIRE #14 AWG STRD TEF INS YEL	A/R			
55	9107370-4	WIRE #14 AWG STRD TEF INS ORN	A/R			
56	9107370-3	WIRE #14 AWG STRD TEF INS RED	A/R			
57	A-PI-3700060-0-0	705B POWER SUPPLY INTERPLANT	1			
		SHIPPING PACKAGE				

TITLE	POWER SUPPLY 705-B	ASSY NO	D-UA-705-B	SIZE CODE	A PL	NUMBER	705-B-0	REV	A	ECC NO
SHEET	3 OF 3	DIST								

DEC FORM NO. DRA 110

DIGITAL EQUIPMENT CORPORATION MAYNARD, MASSACHUSETTS			QUANTITY / VARIATION			
PARTS LIST						
MADE BY K. GULICK	CHECKED K. RUSS	SECTION				
DATE 3/12/69	DATE 3/24/69	ISSUED SECT.				
ENG F.H. Amara	PROD	DATE 4/1/69				
ITEM NO.	DWG NO. / PART NO.	DESCRIPTION				
REF	C-CS-705-B-1	705-B P/S CIRCUIT SCHEMATIC				
1	E-IA-5308234-0-0	CHASSIS	1			
2	1105799	DM-15 DIODE PAK	1			
3	1102933	DM-1 DIODE PAK	2			
4	9006027-1	SCR PHL HD PAN #6-32 x 7/8 LG	6			
5	9006633	WASH INT TOOTH #6 HOLE	21			
6	9006997	SLDLESS CONN 42025-1 AMP	35			
7	9107305	HY SHRINK TUBING #14 RED	A/R			
8	D-MD-5304483-0-0	RETAINER CAPACITOR	1			
9	1004874	CAP 160,000 20 VDC	5			
10	1605802	TRANSFORMER T-6523B ACME	1			
11	9007925	ADAPTER #300H21A ARK-LES	5			
12	1300190	RESISTER 25F25 W.L.	5			
13	9006033-1	SCR PHL HD PAN 6-32 x 2 1/2 LG	5			
14	9006674	CTR. WASH #916 CORE TYPE 2A W.L.	10			
15	9006829	SPACER 1/4 AF c 3/8 LG x #10 HOLE	5			
16	D-MD-5304499-0-0	BRACKET, TERMINAL	1			
17	9006024-1	SCR PHL HD PAN #6-32 x 5/8 SST	4			
18	9006560	NUT KEPS #6-32 SST	4			
19	9107253	TUBING SHRINKABLE WHT 1/4	A/R			
20	1205761	FAN BOXER/ROTOM 50/60 CPS	1			
21	9006568	NUT KEPS #5/16-18 SST	4			

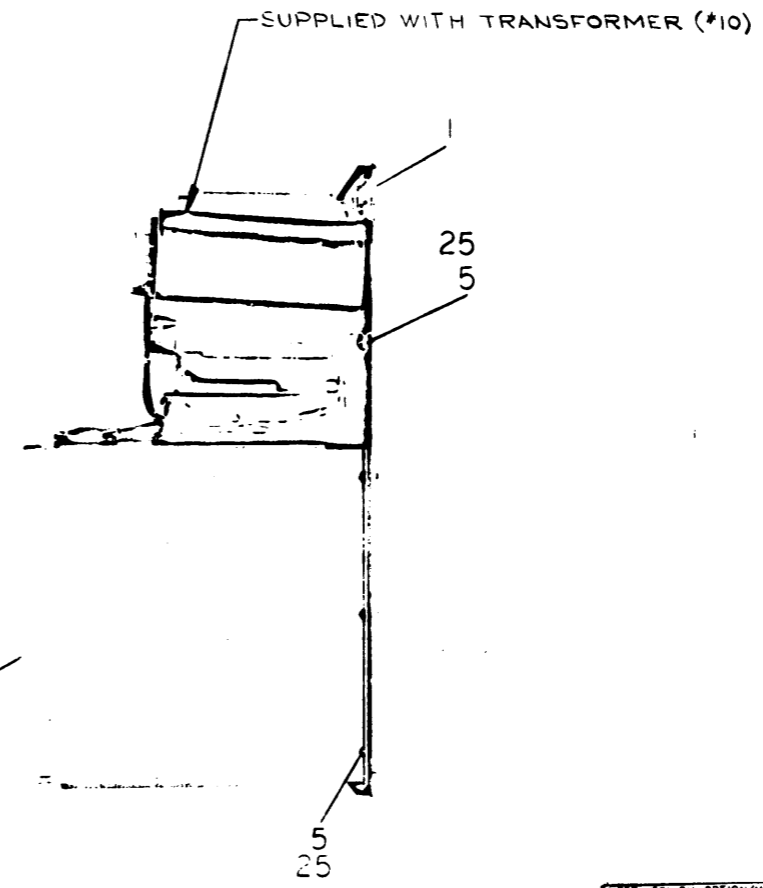
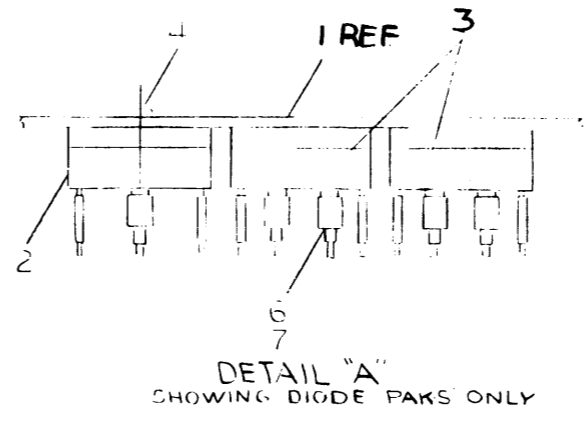
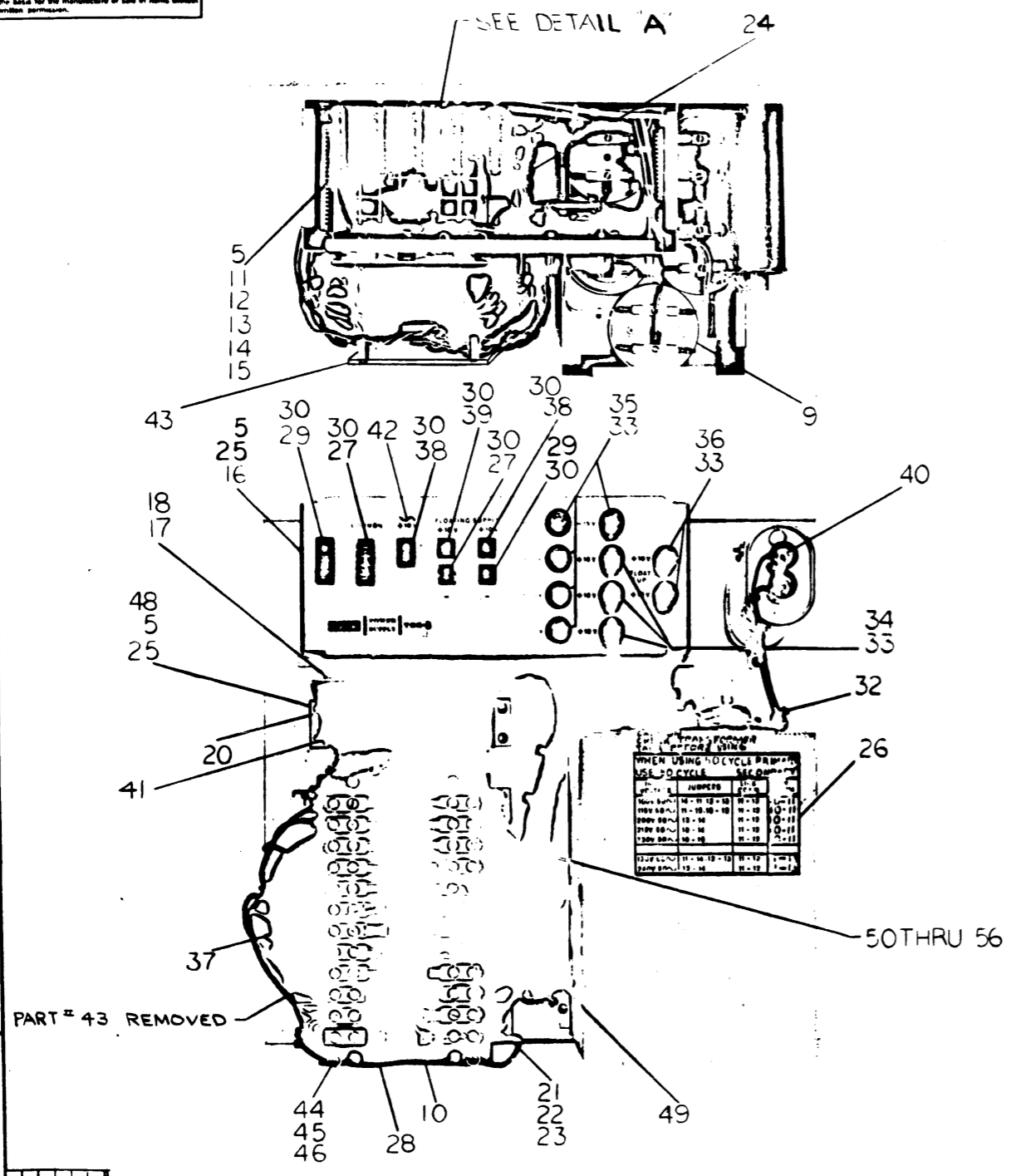
TITLE	POWER SUPPLY 705-B	ASSY NO	D-UA-705-B-0	SIZE CODE	A PL	NUMBER	705-B-0	REV	A	ECC NO
SHEET	1 OF 3	DIST								

DIGITAL EQUIPMENT CORPORATION MAYNARD, MASSACHUSETTS			QUANTITY / VARIATION			
PARTS LIST						
MADE BY KEN GULICK	CHECKED K. RUSS	SECTION				
DATE 3/12/69	DATE 3/24/69	ISSUED SECT.				
ENG F.H. Amara	PROD	DATE 4/1/69				
ITEM NO.	DWG NO. / PART NO.	DESCRIPTION				
22	9006255	CAP SCR HEX HD 5/16-18 x 3/4 LG	4			
23	9007858	WASH. FLAT 11/16 O.D. x 3/8 I.D. x 1/16 THK	4			
24	C-MD-7404891-0-0	SCREEN, FAN	1			
25	9006022-1	SCR PHL HD PAN #6-32 x 3/8 LG SST	16			
26	A-DC-5304512-0-0	CAUTION CHECK LABEL	1			
27	9007233	BUSHING #DC-202-1 YEL HEYMAN	1			
28	9006776	CONN. #31889 AMP	2			
29	9007232	BUSHING #DC-202-1 BLU HEYMAN	1			
30	9007248	SOLDER TAB #T-202-S HEYMAN	21			
31	9007613	ADAPTER #300C27-1N3	7			
32	9007031	TIE WRAP SST-1-B PANDUIT	A/R			
33	9007242	FUSE HOLDER TYPE HKP BUSH	10			
34	9007218	FUSE 3AG 3 AMP S.B.	3			
35	9007225	FUSE 3AG 10 AMP S.B.	5			
36	9007224	FUSE JAG 7 AMP S.B.	2			
37	9006777	SLDLESS CONN #329609 AMP	11			
38	9007231	BUSHING #DC-202-1 RED HEYMAN	5			
39	9007234	BUSHING #DC-202-1 GRN HEYMAN	2			
40	9006999	SLDLESS CONN #41029 AMP	2			
41	9107270-2	WIRE #14 AWG TWP RED WHT	A/R			
42	B DC-5303355-0-0	DC/AC POWER SUPPLY	1			
43	C-MD-5304458-0-0	COVER PROTECTION	1			

TITLE	POWER SUPPLY 705-B	ASSY NO	D-UA-705-B-0	SIZE CODE	A PL	NUMBER	705-B-0	REV	A	ECC NO
SHEET	3 OF 3	DIST								

This drawing and specifications, herein, are the property of Digital Equipment Corporation and shall not be reproduced or copied or used in whole or in part as the basis for the manufacture or sale of items without written permission.

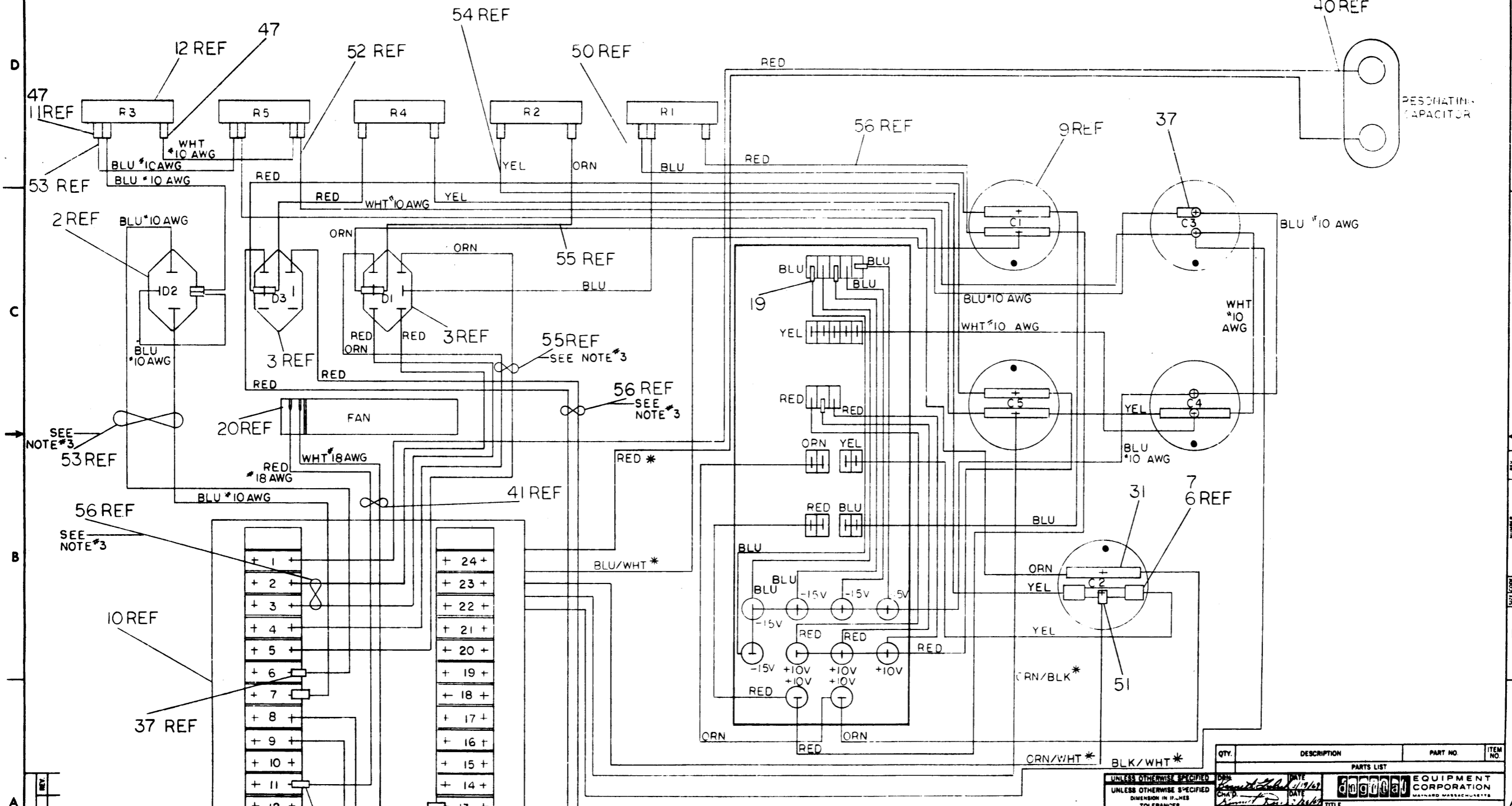
- NOTES:
- ALL WIRES TO BE #14 AWG TEFLON INS STRD UNLESS OTHERWISE SPECIFIED.
  - \* ASTERISK INDICATES WIRES THAT ARE SUPPLIED WITH TRANSFORMER
  - TWIST WIRES TOGETHER, ONE TWIST PER INCH MIN.



REV. A	DATE 3/11/72
CHK 705B-0001	BY LAWRENCE
705B-0001	

QTY.	DESCRIPTION	PART NO.	ITEM NO.
	PARTS LIST		
UNLESS OTHERWISE SPECIFIED	DATE 3/12/69	DIGITAL EQUIPMENT CORPORATION	
UNLESS OTHERWISE SPECIFIED	DATE 3/12/69	TITLE POWER SUPPLY	
UNLESS OTHERWISE SPECIFIED	DATE 3/12/69	705-B	
UNLESS OTHERWISE SPECIFIED	DATE 3/12/69	SIZE CODE	NUMBER
UNLESS OTHERWISE SPECIFIED	DATE 3/12/69	DUA	705-B-0
UNLESS OTHERWISE SPECIFIED	DATE 3/12/69	SCALE NONE	REV. A
UNLESS OTHERWISE SPECIFIED	DATE 3/12/69	SHEET 1 OF 2	DIST

This drawing and specifications herein are the property of Digital Equipment Corporation and shall not be reproduced or copied for use in whole or in part, or the name of the manufacturer or sale of same without the written consent of Digital Equipment Corporation.



WIRING DIAGRAM  
WIRING SHOWN IS FOR 120 V 60 HZ

REV	
CHG	
REV	
CHG	

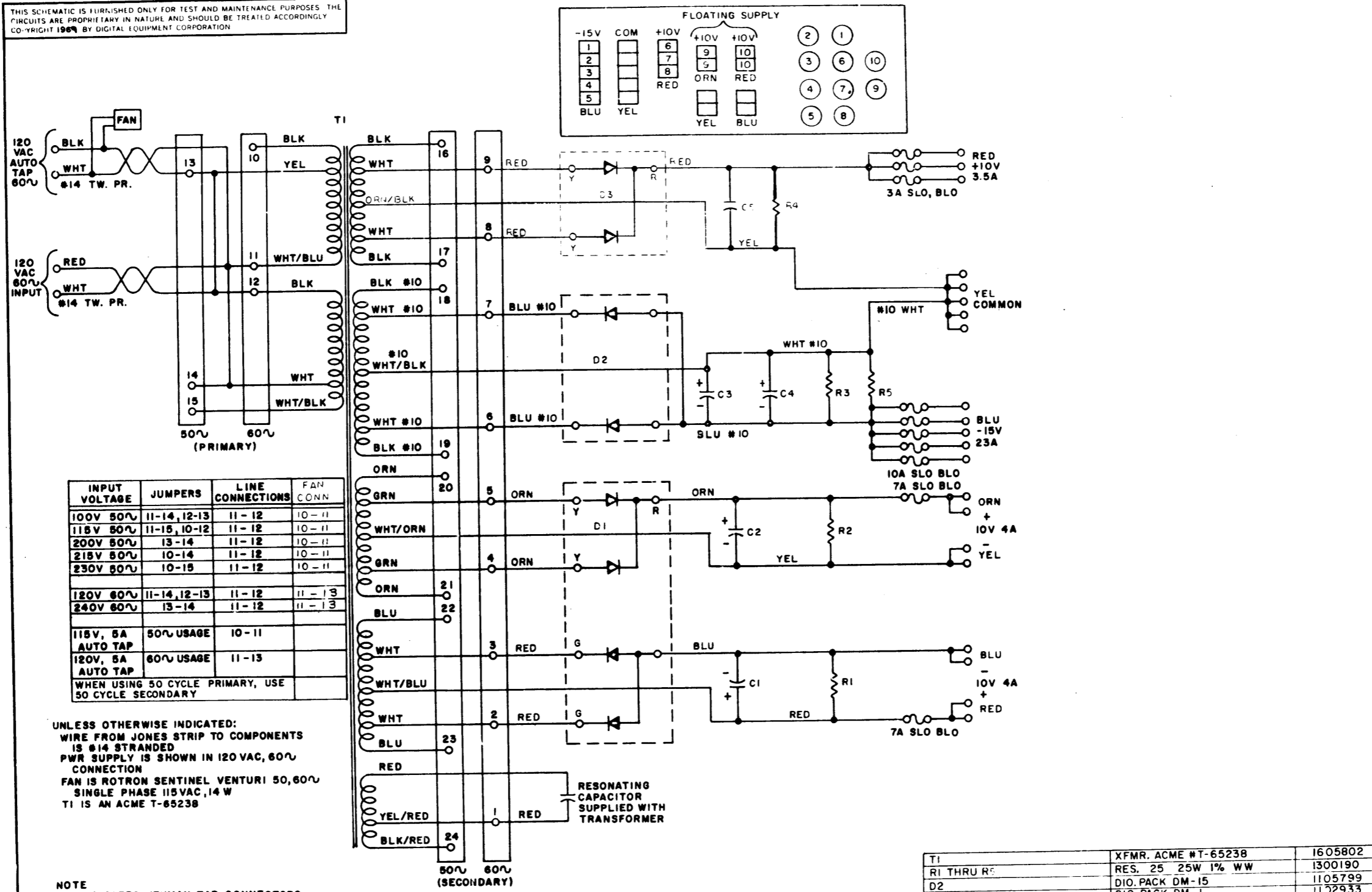
DEC FORM NO. 010 100

QTY.	DESCRIPTION	PART NO.	ITEM NO.
PARTS LIST			
UNLESS OTHERWISE SPECIFIED			
DIMENSIONS IN INCHES			
TOLERANCES			
DECIMALS	FRACTIONS	ANGLES	
± 0.05	± 1/64	± 0°30'	
FINAL SURFACE QUALITY			
REMOVE BURRS AND BREAK SHARP CORNERS			
MATERIAL		FINISH	
+ + + +		+ + + +	
SCALE NONE		SHEET 2 OF 2	
DATE 11/16/69		DATE 11/16/69	
DRAWN BY [Signature]		CHECKED BY [Signature]	
DESIGNED BY [Signature]		DATE 11/16/69	
DIGITAL EQUIPMENT CORPORATION		MAINTAINED MANUFACTURER	
TITLE			
POWER SUPPLY			
705-B			
SIZE/CODE	NUMBER	REV.	
DUAL	705-B-0	A	

REV. A  
NUMBER B-0  
DUAL 705-B-0



THIS SCHEMATIC IS FURNISHED ONLY FOR TEST AND MAINTENANCE PURPOSES. THE CIRCUITS ARE PROPRIETARY IN NATURE AND SHOULD BE TREATED ACCORDINGLY. CO. COPYRIGHT 1969 BY DIGITAL EQUIPMENT CORPORATION



INPUT VOLTAGE	JUMPERS	LINE CONNECTIONS	FAN CONN
100V 50~	11-14, 12-13	11-12	10-11
115V 50~	11-15, 10-12	11-12	10-11
200V 50~	13-14	11-12	10-11
215V 50~	10-14	11-12	10-11
230V 50~	10-15	11-12	10-11
120V 60~	11-14, 12-13	11-12	11-13
240V 60~	13-14	11-12	11-13
115V, 5A AUTO TAP	50~ USAGE	10-11	
120V, 5A AUTO TAP	60~ USAGE	11-13	

WHEN USING 50 CYCLE PRIMARY, USE 50 CYCLE SECONDARY

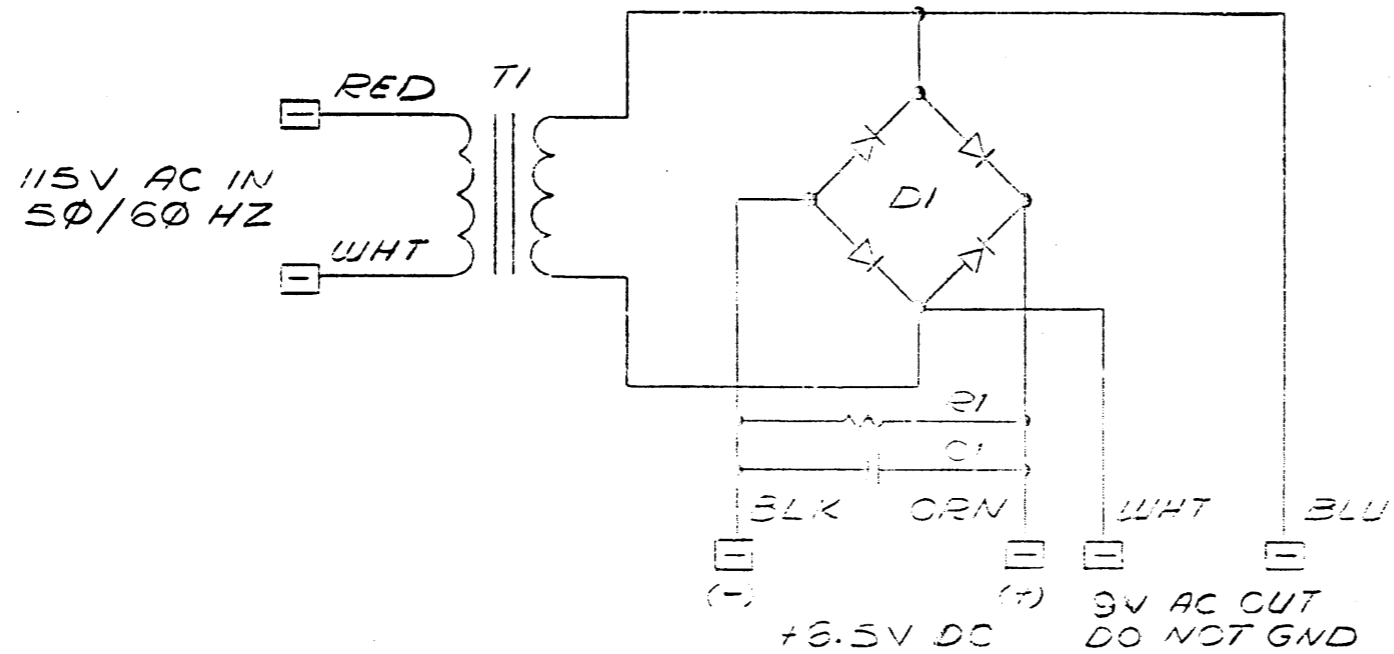
UNLESS OTHERWISE INDICATED:  
 WIRE FROM JONES STRIP TO COMPONENTS IS #14 STRANDED  
 PWR SUPPLY IS SHOWN IN 120 VAC, 60~ CONNECTION  
 FAN IS ROTRON SENTINEL VENTURI 50, 60~ SINGLE PHASE 115VAC, 14 W  
 T1 IS AN ACME T-65238

NOTE  
 O INDICATES HEYMAN TAB CONNECTORS  
 ~ INDICATES FUSES

REFERENCE DESIGNATION	DESCRIPTION	PART NO.
T1	XFMR. ACME #T-65238	1605802
R1 THRU R5	RES. 25 25W 1% WW	1300190
D2	DIO. PACK DM-15	1105799
D1 C3	DIO. PACK DM-1	1172933
C1 THRU C5	CAP. 160,000 MFD 20V	1004874
	PARTS LIST	A-PL-705-0-0

REVISIONS CHK CHG NO REV	DRN <i>[Signature]</i>	DATE 3/13/69	TRANSISTOR & DIODE CONVERSION CHART			<b>POWER SUPPLY 705-B</b> EQUIPMENT CORPORATION MAYNARD, MASSACHUSETTS	SIZE C	CODE CS	NUMBER 705-B-1	REV
	CHK D <i>[Signature]</i>	DATE 3/25/69	DEC	EIA			PRINTED CIRCUIT REV			
	DATE 3/25/69	DATE 3/25/69								

THIS SCHEMATIC IS FURNISHED ONLY FOR TEST AND MAINTENANCE PURPOSES. THE CIRCUITS ARE PROPRIETARY IN NATURE AND SHOULD BE TREATED ACCORDINGLY. COPYRIGHT BY DIGITAL EQUIPMENT CORPORATION.



C1	CAP 18,000 MFD 10V DC	1009437
R1	RES 5 Ω 25W, W.L.	1300165
PARTS LIST		D-UA-716-B-φ
T1	XMFR*F64-U TRIAD	1609588
DI	DIODE PACK DM-2	1105392
REF DESIGNATION	DESCRIPTION	PART NO

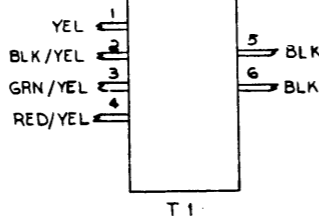
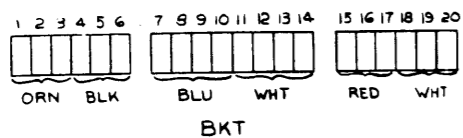
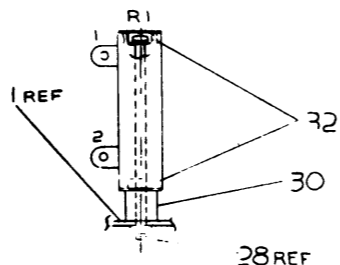
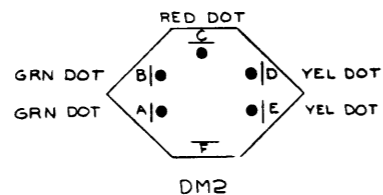
716-B

PARTS LIST

CIRCUIT SCHEMATIC  
716B

B CS 716-B-1

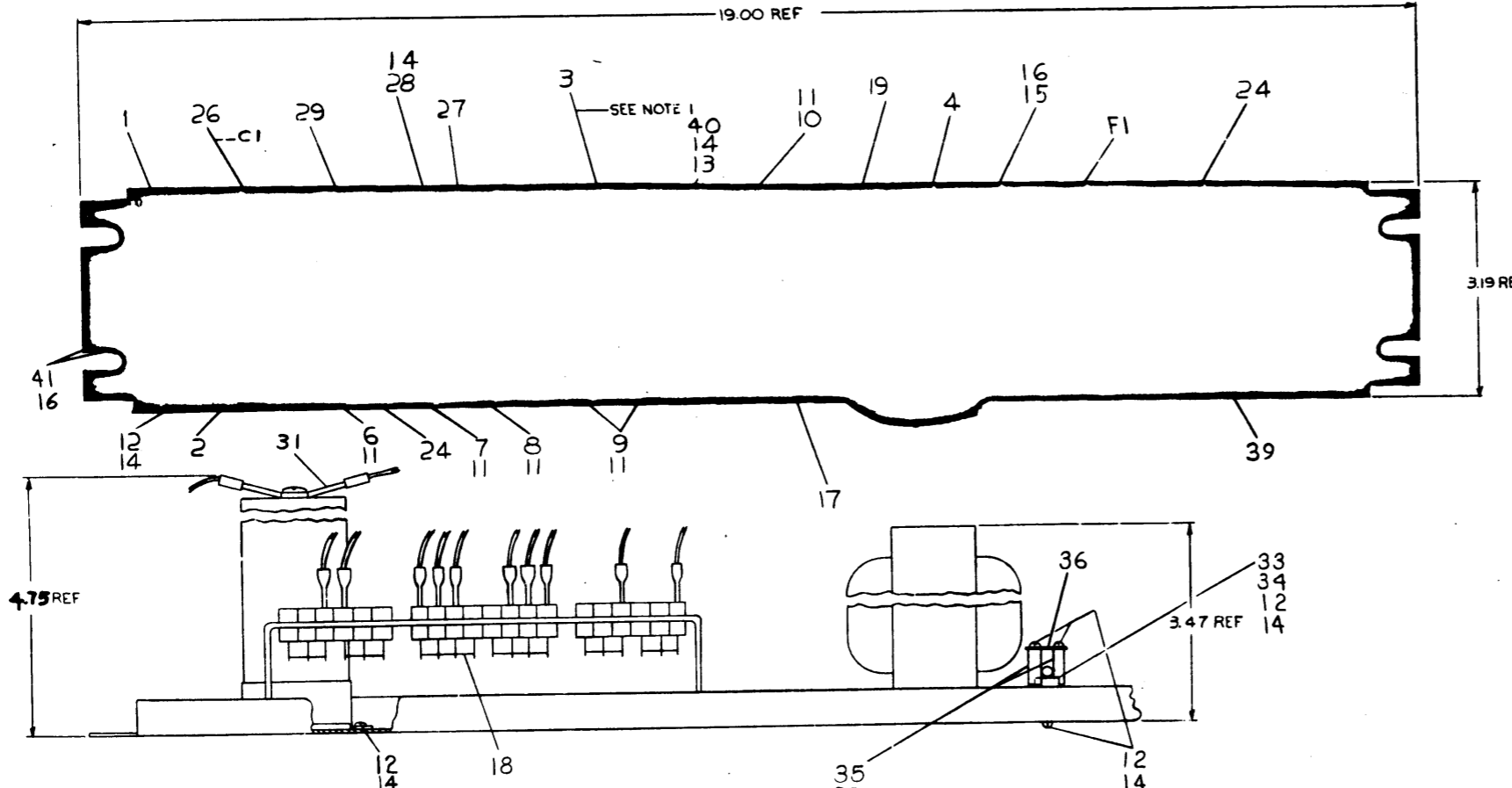
This drawing and specifications, herein, are the property of Digital Equipment Corporation and shall not be reproduced or copied or used in whole or in part as the basis for the manufacture or sale of items without written permission. 1279



WIRE TABLE							
ITEM NO	AWG	COLOR	CONNECTIONS FROM	TO	EQUIP FROM WITH ITEMS	EQUIP TO WITH ITEMS	REMARKS
-	-	YEL	T1-1	BKT-9	-	5	
-	-	RED/YEL	T1-4	BKT-14	-	5	
-	-	BLK	T1-5	F1	-	5	SOLDER F1
-	-	BLK	T1-6	BKT-17	-	5	
20	#14	WHT	DM2-A	BKT-12	5	5	
21	#14	BLU	DM2-B	BKT-7	5	5	
22	#14	ORN	DM2-C	R1-1	5	-	SOLDER R1-1
21	#14	BLU	DM2-D	BKT-8	5	5	
20	#14	WHT	DM2-E	BKT-13	5	5	
23	#14	BLK	DM2-F	R1-2	5	-	SOLDER R1-1
18	#22	-	BKT-1	BKT-3	-	-	1 THRU 3
18	#22	-	BKT-4	BKT-6	-	-	4 THRU 6
18	#22	-	BKT-7	BKT-10	-	-	7 THRU 10
18	#22	-	BKT-11	BKT-14	-	-	11 THRU 14
18	#22	-	BKT-15	BKT-17	-	-	15 THRU 17
18	#22	-	BKT-18	BKT-20	-	-	18 THRU 20
-	-	GRN/YEL	T1-3	-	-	19	TIE END
-	-	BLW/YEL	T1-2	-	-	19	TIE END
22	#14	ORN	R1-1	C1-B	-	5	SOLDER R1-1
22	#14	ORN	C1-A	BKT-4	5	5	
23	#14	BLK	R1-2	C1-A	-	5	SOLDER R1-2
23	#14	BLK	C1-B	BKT-3	5	5	
-	#14	BRN	F1	BKT-20	-	5	

NOTES:

- 1. APPLY THERMAL COMPOUND, ITEM #25 #340 DOW CORNING OR EQUIV TO CONTACTING SURFACES OF ITEM #1 & ITEM #3.



TOLERANCES  
DECIMALS  
.XXX ± .005  
.XX ± .02  
.X ± .1

REV.	CHANGE NO.	REVISIONS
A	7 6-00001	REDRAWN & REVISED
B	11-24-69	D. VONADA
C	9-26-70	D. VONADA
D	5-1-70	D. VONADA
E	9-2-70	D. VONADA
F	3-17-71	D. VONADA
G	5-2-71	D. VONADA
H	8-16-74	D. VONADA
I	8-16-74	D. VONADA
J	8-16-74	D. VONADA
K	8-16-74	D. VONADA
L	8-16-74	D. VONADA
M	8-16-74	D. VONADA
N	8-16-74	D. VONADA
O	8-16-74	D. VONADA
P	8-16-74	D. VONADA
Q	8-16-74	D. VONADA
R	8-16-74	D. VONADA
S	8-16-74	D. VONADA
T	8-16-74	D. VONADA
U	8-16-74	D. VONADA
V	8-16-74	D. VONADA
W	8-16-74	D. VONADA
X	8-16-74	D. VONADA
Y	8-16-74	D. VONADA
Z	8-16-74	D. VONADA

FIRST USED ON OPT/MOD RF09	QTY.	DESCRIPTION	PART NO.	ITEM NO.
UNLESS OTHERWISE SPECIFIED UNLESS OTHERWISE SPECIFIED UNLESS OTHERWISE SPECIFIED	DRN ROBICHAUD 6-5-69	DATE 6-5-69	PARTS LIST	
FINAL INSPECTION QUALITY REMOVE BURRS AND BREAK SHARP CORNERS	CHKD. D. HEALY 6-10-69	DATE 6-10-69	DIGITAL EQUIPMENT CORPORATION MAYFORD, MASSACHUSETTS	
MATERIAL	ENG. Z. NAMIEROWSKI 6-10-69	DATE 6-10-69	TITLE INDICATOR POWER SUPPLY 716	
FINISH	PROJ. ENG. D. VONADA 6-10-69	DATE 6-10-69	SIZE CODE DUA	NUMBER 716-0-0
	FIRST USED ON D-UA-RF09-0-0		DIST.	REV. H
	SCALE 1/1			
	SHEET 1 OF 1			

DIGITAL EQUIPMENT CORPORATION  
MAYNARD, MASSACHUSETTS  
**PARTS LIST**

MADE BY ROBICHARD  
DATE 6/5/69  
ENG S. ZNAMIEROWSKI  
DATE 6/10/69

CHECKED D. HEALEY  
DATE 6/6/69  
PROD R. ANTONUICIO  
DATE 6/12/69

SECTION 1  
ISSUED SECT. 1

ITEM NO.	DWG NO. / PART NO.	DESCRIPTION	QUANTITY	ECO NO.
1	D-MD-5308466-0-0	PANEL, MTG 716 P.S.	1	716-0
2	B-MD-5308465-0-0	BRACKET MTG. TERMINAL	1	
3	1105397	DIODE PACK DM-2	1	
4	1609588	TRANSFORMER #F64-U TRIAD	1	
5	9007969	CONN SOLDERLESS #50906 ARKLESS	20	
6	9007234	BUSHING JUNC TERM ORN #DC-202-1 HEYMAN	3	
7	9007237	BUSHING JUNC TERM BLK, #DC-202-1 HEYMAN	3	
8	9007232	BUSHING JUNC TERM BLU, #DC-202-1 HEYMAN	4	
9	9007235	BUSHING JUNC TERM WHT, #DC-202-1 HEYMAN	7	
10	9007231	BUSHING JUNC TERM RED, #DC-202-1 HEYMAN	3	
11	9007238	TERM TAB T-202-S HEYMAN	20	
12	9006022-1	SCR PHL HD PAN #6-32 x 3/8 LG SST	9	
13	9006028-01	SCR PHL HD PAN #6-32 x 1" LG SST	2	
14	9006633	WASH INT TOOTH LOCK #6 SST	12	
15	9006071-1	SCR PHL HD PAN #10-32 x 3/8 LG SST	4	
16	9006635	WASH INT TOOTH LOCK #10 SST	6	
17	9007031	TIE WRAP SST-1B PANDUIT	5	
18	9107560-1	WIRE BUSSING #22 AWG	PAR	
19	9107305-02	TUBING, SHRINKABLE, RED 3/16 D x 9/16 LG	4	
20	9107370-99	WIRE, STRANDED #14 TEF INS WHT	PAR	
21	9107370-66	WIRE, STRANDED #14 TEF INS BLU	PAR	
22	9107370-33	WIRE, STRANDED #14 TEF INS ORN	PAR	

TITLE INDICATOR POWER SUPPLY 716  
 ASSY NO. D-UA-716-0-0  
 SIZE CODE A PL  
 NUMBER 716-0-0  
 SHEET 1 OF 2  
 DIST.  
 REV. ECO NO. H 00009

DEC FORM NO. 16-1031  
DRA 110

DIGITAL EQUIPMENT CORPORATION  
MAYNARD, MASSACHUSETTS  
**PARTS LIST**

MADE BY ROBICHARD  
DATE 6/5/69  
ENG S. ZNAMIEROWSKI  
DATE 6/10/69

CHECKED D. HEALEY  
DATE 6/6/69  
PROD R. ANTONUICIO  
DATE 6/12/69

SECTION 1  
ISSUED SECT. 1

ITEM NO.	DWG NO. / PART NO.	DESCRIPTION	QUANTITY	ECO NO.
23	9107370-00	WIRE, STRANDED #14 TEF INS BLK	PAR	
24	A-DC-5308448-0-0	DECAL, 716 POWER SUPPLY	PAR	
25	9008268	THERMAL COMPOUND #340 DOW CORNING	PAR	
26	1009437	CAP 18000 MED 10V	1	
27	1300165	RESISTOR 50hm 25W 5%	1	
28	9006033-01	SCR PHL PAN HD 6-32 x 2-1/2 SST	1	
29	12-10428	CAP MOUNTING BRACKET	1	
30	9006829	SPACER 1/2AFX x 3/8LG #10 HOLE AL	1	
31	9007776	TAB #61349-1 AMP	2	
32	9006674	WASH #916 CORE WARD LEONARD	2	
33	9006996	#4405 FUSE HOLDER	1	
34	9007209	1/2 AMP S.B. FUSE	1	
35	9006859	THREADED STAND OFF 3/4 6-32	2	
36	7404508	FIBER COVER PLATE	1	
37		WASHER, LOCK WASHER	1	
38		PACKAGING INSTRUCTION	1	
39	9009255-01	LABEL P.S.	1	
40	9006653	FLAT WASHER	2	
41	9008007-01	SCR PHL HD PAN #10-32 x 1/4 LG SST	2	
42				
43				

TITLE INDICATOR POWER SUPPLY  
 ASSY NO. D-UA-716-0-0  
 SIZE CODE A PL  
 NUMBER 716-0-0  
 SHEET 2 OF 2  
 DIST.  
 REV. ECO NO. H

DEC FORM NO. 16-1031  
DRA 110

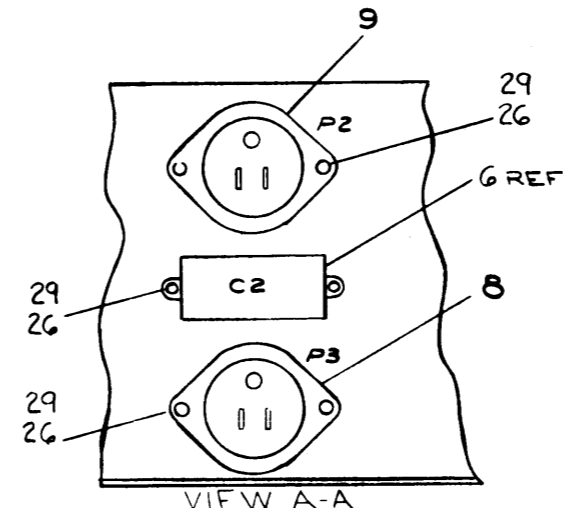
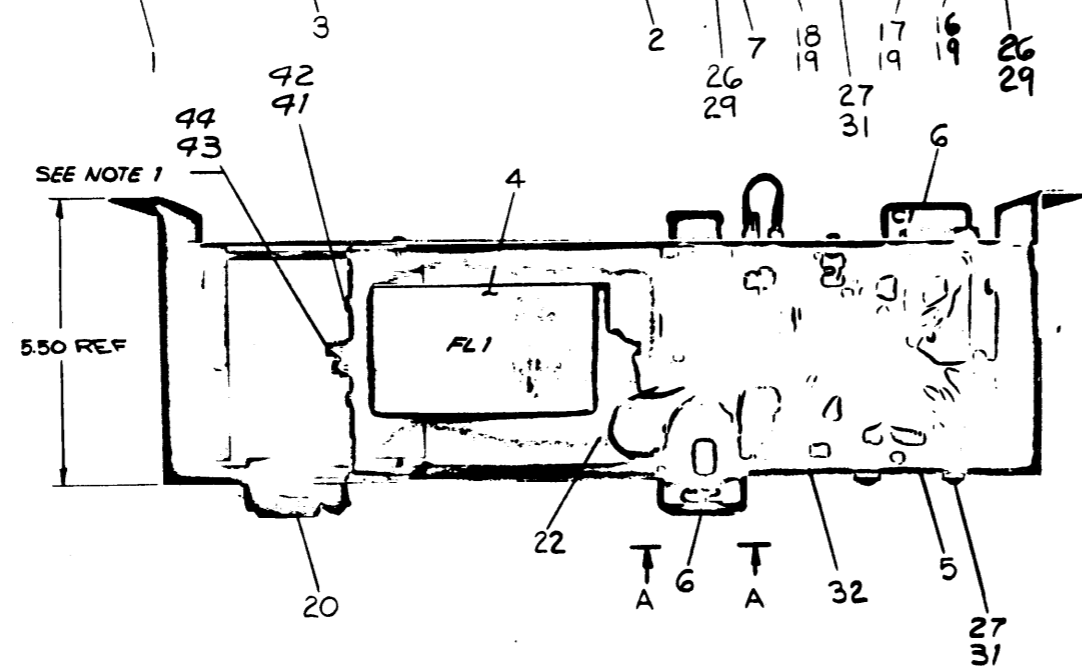
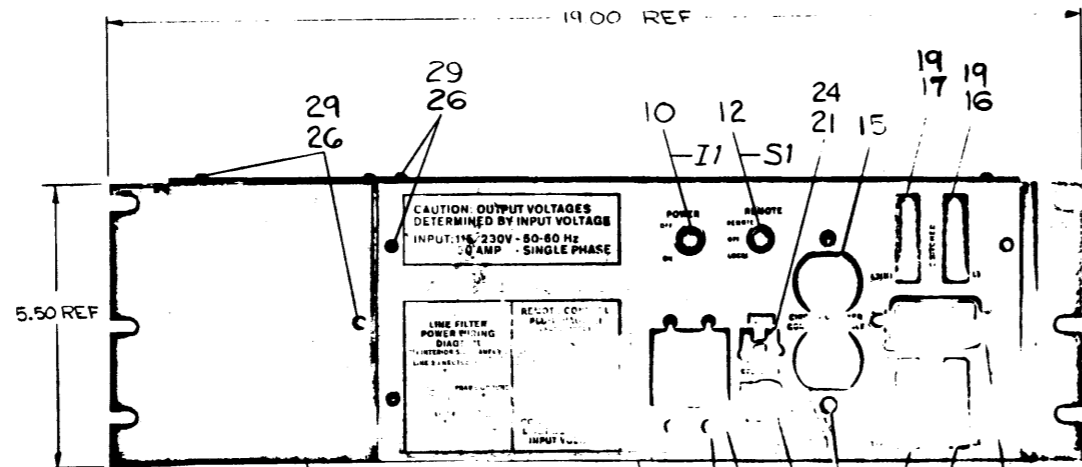
QUANTITY / VARIATION

QUANTITY / VARIATION

This drawing and specifications herein are the property of Digital Equipment Corporation and shall not be reproduced or copied in whole or in part or by any means for the manufacture or sale of items without written permission.

**NOTES:**

- REPLACE 5 #8-32 x 5/16 LG PAN HD SCREWS SUPPLIED WITH ITEM #4 WITH ITEMS #43 & 44



**TOLERANCES**  
 DECIMALS  
 .XXX = ±.005  
 .XX = ±.02  
 .X = ±.1

REV.	BY	DATE
1	...	...
2	...	...
3	...	...
4	...	...
5	...	...

FIRST USED ON OPTION/MODEL	QTY.	DESCRIPTION	PART NO.	ITEM NO.
R509-0				
UNLESS OTHERWISE SPECIFIED				
DIMENSION IN INCHES				
TOLERANCES				
ANGLES = 0°30'				
FINISH SURFACE QUALITY REMOVE BURRS AND BREAK SHARP CORNERS				
MATERIAL				
FINISH				
SCALE				
SHEET 1 OF 2				
DATE 1/1/69			EQUIPMENT CORPORATION	
DATE 2/2/69			MAYFORD MASSACHUSETTS	
DATE 7/21/69			TITLE	
DATE 7/21/69			LINE FILTER & PWR CONT 855	
DATE 7/21/69			SIZE CODE	
DATE 7/21/69			DUA 855-0-0	
DATE 7/21/69			NUM. SHEETS	
DATE 7/21/69			B	
DATE 7/21/69			DIST.	

The drawing and specifications herein are the property of the Equipment Corporation and shall not be reproduced or transmitted in any form or by any means, electronic, mechanical, photocopying, recording, or by any information storage and retrieval system, without the prior written permission of the Equipment Corporation.

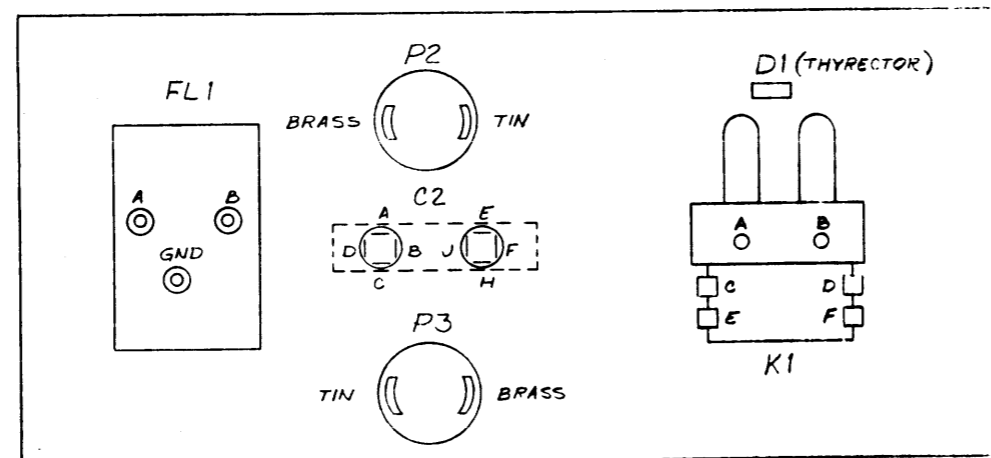
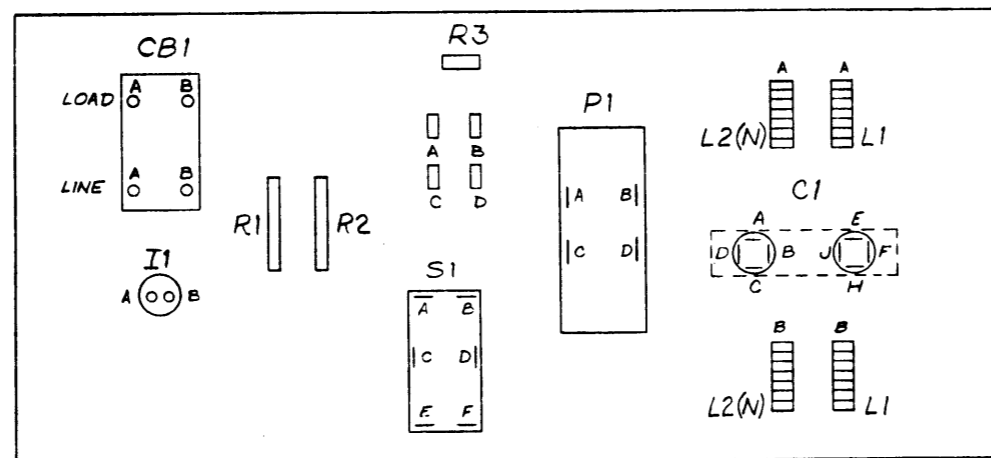
WIRE TABLE

ITEM NO	AWG	COLOR	CONNECTIONS		EQUIP FROM WITH ITEMS	EQUIP TO WITH ITEMS	REMARKS
			FROM	TO			
40	10	RED	FL1-A	CB1-LINE-B	23	23	
39	10	WHT	FL1-B	CB1-LINE-A	23	23	
36	14	BLK	FL1-GND	P3-GND	22	22	
35	14	WHT	CB1LOAD-A	115V-B	22	*A	
46	12	WHT	CB1LOAD-A	PI-C	23	38	
35	14	WHT	CB1LOAD-A	SI-E	22	21	
46	12	WHT	CB1LOAD-A	K1-C	23	-	
33	14	RED	CB1LOAD-B	SI-F	22	21	
47	12	RED	CB1LOAD-B	K1-E	23	-	
47	12	RED	CB1LOAD-B	PI-D	23	21	
10	-	RED	IA-A	CB1LOAD-B	-	45	LIGHT (L1)
10	-	BLK	II-B	115V-A	-	*A	
35	14	WHT	SI-A	C2-D	21	21	
33	14	RED	SI-B	C2-F	21	21	
35	14	WHT	SI-C	115V-C	21	*A	
33	14	RED	SI-D	K1-B	21	22	

WIRE TABLE

ITEM NO	AWG	COLOR	CONNECTIONS		EQUIP FROM WITH ITEMS	EQUIP TO WITH ITEMS	REMARKS
			FROM	TO			
35	14	WHT	115V-D	K1-A	*A	22	
46	12	WHT	PI-A	L2(N)-A	38	*A	
47	12	RED	PI-B	L1-A	38	*A	
47	12	RED	C1-A	K1-F	38	-	
47	12	RED	C1-C	L1-B	38	*A	
46	12	WHT	C1-E	K1-D	38	-	
46	12	WHT	C1-H	L2(N)-B	38	*A	
33	14	RED	P2-BRASS	C2-E	*A	21	
35	14	WHT	P2-TIN	C2-A	*A	21	
35	14	WHT	P3-TIN	C2-C	*A	21	
33	14	RED	P3-BRASS	C2-H	*A	21	
34	14	ORN	115V-A	115V-B	21,24	21,24	
34	14	ORN	115V-C	115V-D	21,24	21,24	
11	-	-	K1-A	K1-B	45,25	45,25	THYRECTOR (L1)
13	-	-	115V-A	115V-B	*A	*A	RES (R3)
14	-	-	115V-C	115V-D	37*A	37*A	RES (R1)
14	-	-	115V-C	115V-D	37*A	37*A	RES (R2)

NOTE  
ORIENT PANELS AS SHOWN FOR WIRING.



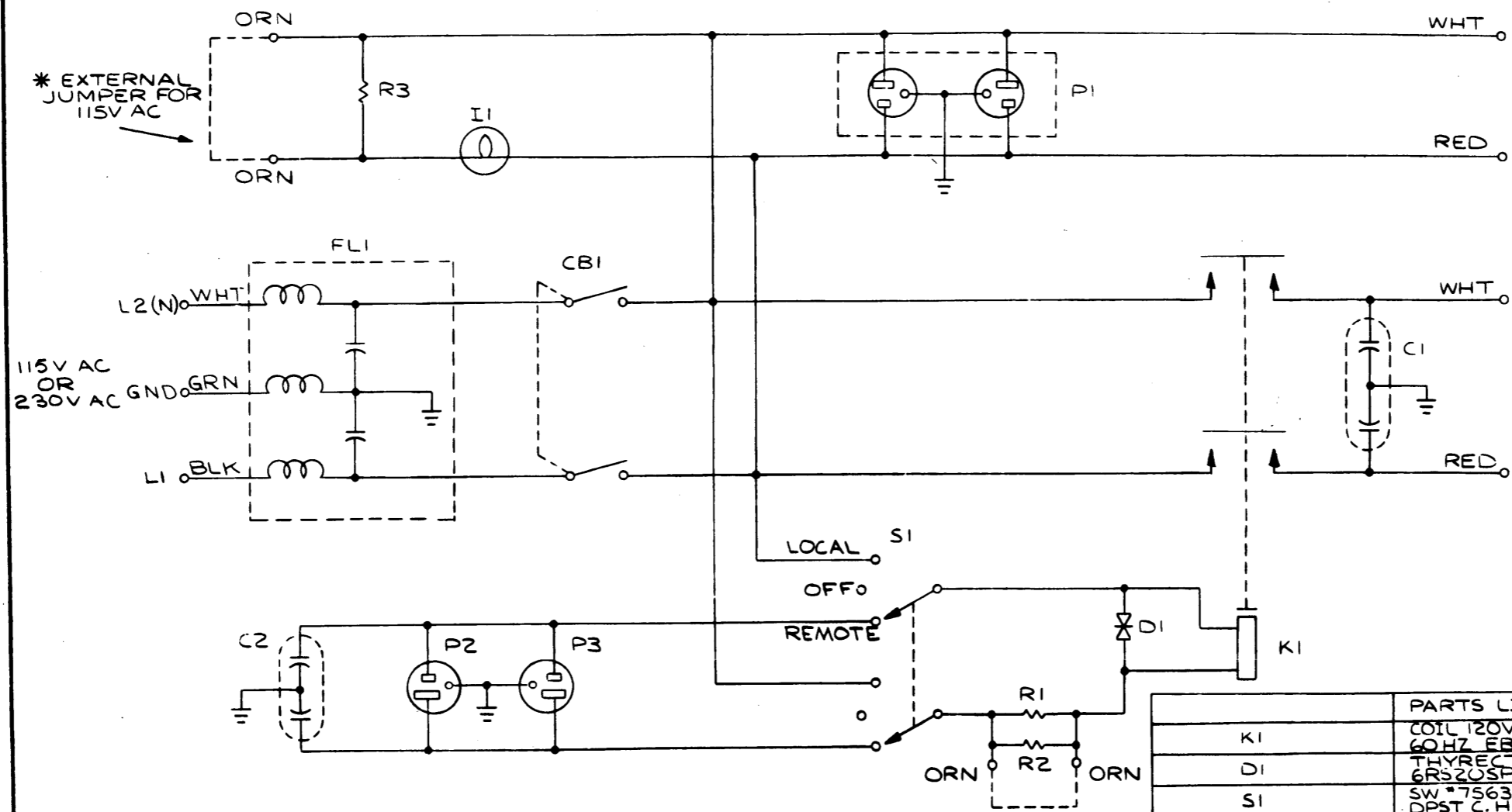
FIRST USED ON OPTION/MODEL  
RS09-0

DO NOT SCALE DRAWING  
UNLESS OTHERWISE SPECIFIED  
DIMENSION IN INCHES  
TOLERANCES  
DIMENSIONS FRACTIONS ANGLES  
± .005 ± .005 ± .005  
FINAL SURFACE QUALITY  
REMOVE BURRS AND BREAK SHARP CORNERS  
MATERIAL  
FINISH

QTY.	DESCRIPTION	PART NO.	ITEM NO.
PARTS LIST			
1	FLANDERS	DATE 10-1-68	EQUIPMENT CORPORATION MAYHARD MASSACHUSETTS
1	HEALY	DATE 10-26-69	
1	ZNAMIEROWSKI	DATE 7-23-69	
1	VONADA	DATE 7-27-69	
1	ANTONUCCIO	DATE 7-29-69	
TITLE LINE FILTER & PWR CONT 855			
SCALE SHEET 2 OF 2		SIZE CODE DUA	NUMBER 855-0-0
		DIST.	REV. B

REV. 1  
CHANGE NO.  
CHK

THIS SCHEMATIC IS FURNISHED ONLY FOR TEST AND MAINTENANCE PURPOSES. THE CIRCUITS ARE PROPRIETARY IN NATURE AND SHOULD BE TREATED ACCORDINGLY. COPYRIGHT BY DIGITAL EQUIPMENT CORPORATION



NOTES:  
1. \* REMOVE JUMPER IF 230V AC

\* EXTERNAL JUMPER FOR 115V AC

REF DESIGNATION	DESCRIPTION	PART NO.
K1	COIL 120V AC 60HZ FBERT	1205768
D1	THYRECTOR 6RS20SP4B4	1100106
S1	SW *7563K6 DPST C.H.	1205964
CBI	CKT BKR 40AMP 2P. CURVE 4	1201219-02
P3	FEMALE AC PLUG *160-4 AMPH.	1201251
P2	MALE AC PLUG *160-5 AMPH.	1201252
P1	RECP DOUBLE *10103 A. HART	1205351
I1	LAMP *1020CS5 125V IND. DEV	1201280
FL1	LINE FILTER *JN17-3715B1	1209269
C1, C2	CAP 2X .1 MFD 1000V DC	1002153
R3	RES 130K, 1W, 5%	1305604
R1, R2	RES 2K, 10W, 10%	1305603

PARTS LIST

REV	DATE	BY	CHKD
1	6-19-69	W. J. G.	
2	6-26-69	W. J. G.	
3	7-2-69	W. J. G.	
4	7-2-69	W. J. G.	

TRANSISTOR & DIODE CONVERSION CHART			
DEC	EIA	DEC	EIA

EQUIPMENT CORPORATION		SIZE	CODE	NUMBER	REV
MAYNARD, MASSACHUSETTS		C	CS	855-0-1	
PRINTED CIRCUIT REV.					

TITLE CIRCUIT SCHEMATIC  
855

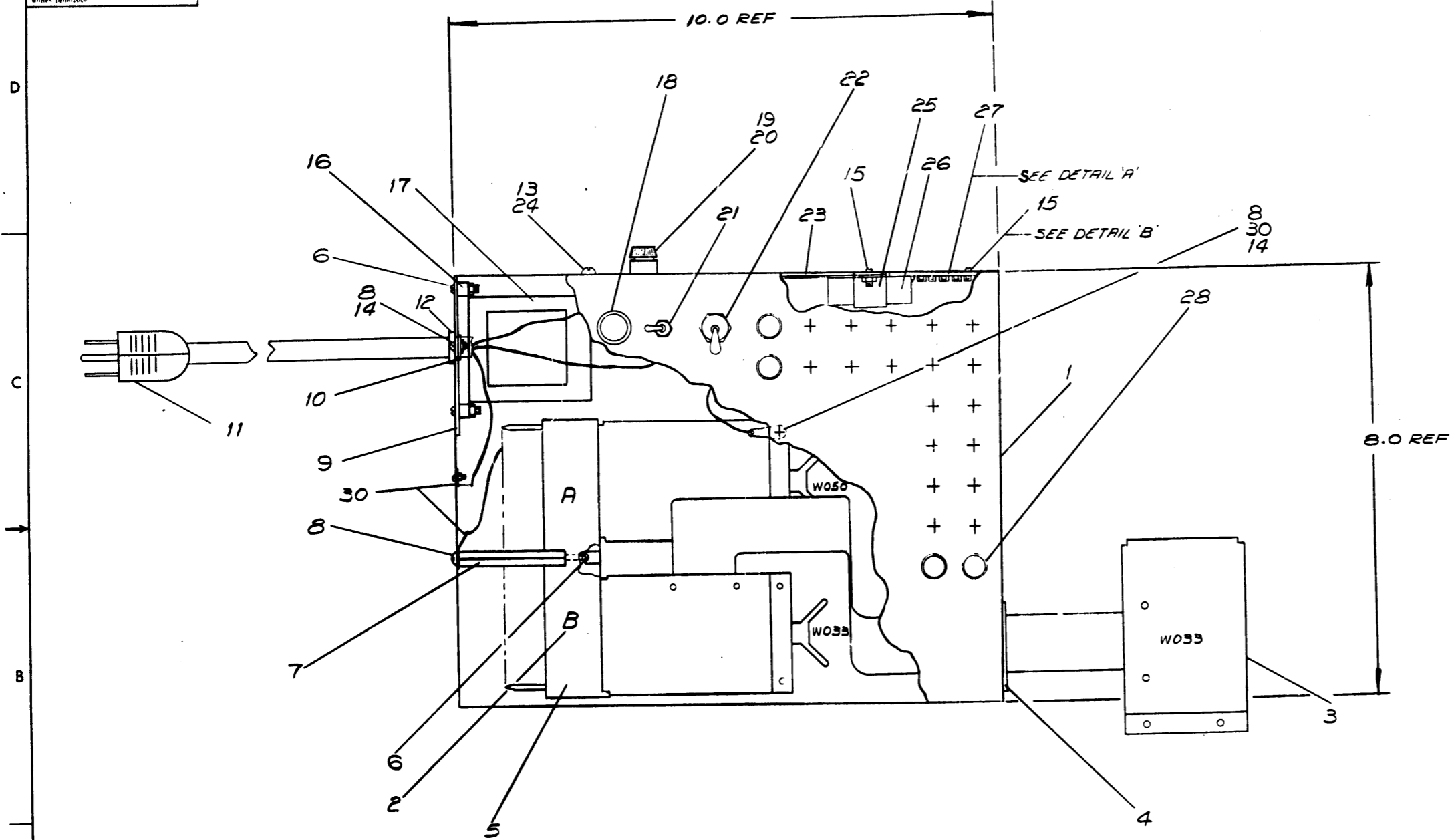
# MASTER DRAWING LIST

DWG. NO.	REV. LET.	NO. OF SHEETS	TITLE
D-UA-RF09-T-0		2	RF09 TESTER
C-CS-RF09-T-01		1	POWER SUPPLY
D-IC-RF09-T-02		1	CABLES
D-BS-RF09-T-03		1	INDICATOR DRIVERS
A-WL-RF09-T-05		2	TRACK AND DISK SELECT MONITOR
D-MU-RF09-T-04		1	MODULE UTILIZATION RF09-T
A-PL-RF09-T-04		1	MODULE UTILIZATION (P.L.)

REVISIONS				DRN.	DATE	DIGITAL EQUIPMENT CORPORATION MAYNARD, MASSACHUSETTS				
REV.	DATE	CHG. NO.	APP'D.	J. DEVIN	24/69	TITLE  RF09 TESTER				
				CHK'D. A.L. PFYFFER	8/5/69					
				ENG. <i>[Signature]</i>	DATE					
				PROJ. ENG. <i>[Signature]</i>	DATE	SIZE   CODE   NUMBER   REV. A   ML   RF09-T				
				PROD. <i>[Signature]</i>	DATE					
				FIRST USED ON RF09						
				SCALE						
				SHEET 1 OF 1	DIST.					



This drawing and specifications, herein are the property of Digital Equipment Corporation and shall not be  
 reprinted, copied or used in whole or in part without the written permission of Digital Equipment Corporation.

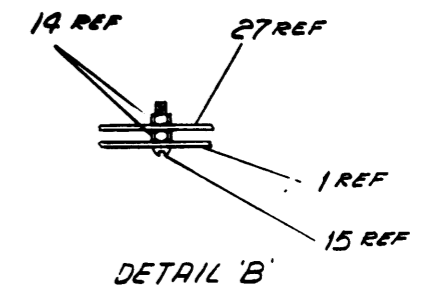
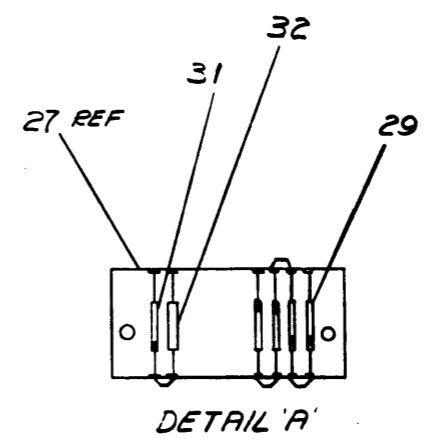
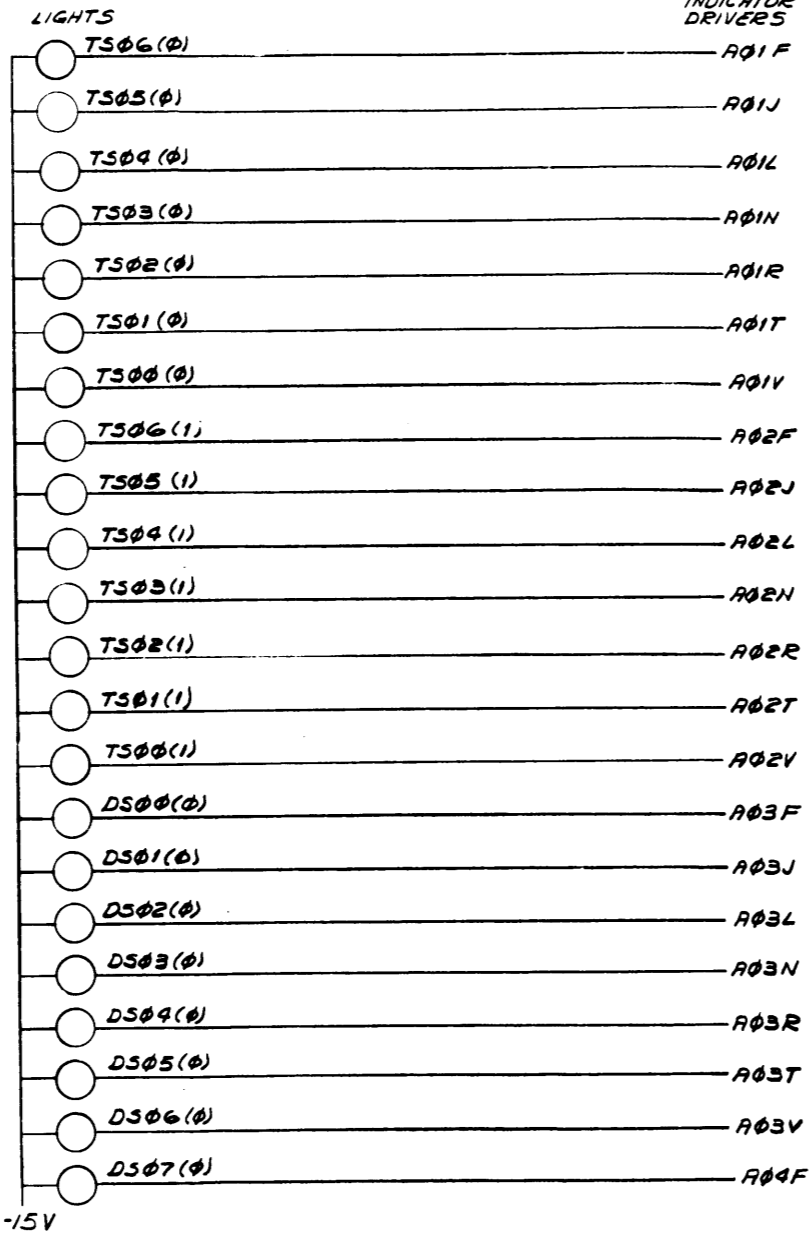


REV	
CHANGE NO	
CHK	
REVISIONS	

FIRST USED ON OPTION/ MODEL		DO NOT SCALE DRAWING		DRN. DATE	ITEM NO.
UNLESS OTHERWISE SPECIFIED DIMENSION IN INCHES		TOLERANCES		DATE	PARTS LIST
TOLERANCES DECIMAL		DECIMALS FRACTIONS ANGLES		DATE	
.XXX = ± .005		.005 = 1/200 = 0°30'		DATE	TITLE
.XX = ± .02		FINAL SURFACE QUALITY REMOVE BURRS AND BREAK SHARP CORNERS		DATE	
.X = ± .1		MATERIAL		DATE	RF09 TESTER
		FINISH		DATE	
		NEXT HIGHER ASSY		SCALE	SIZE CODE
		SCALE 1 OF 2		SHFT	DUA
				DIST	RF09-T-0

This drawing and specifications herein are the property of Digital Equipment Corporation and shall not be reproduced or copied or used in whole or in part as the basis for the manufacture or sale of items without written permission.

INDICATOR WIRING DIAGRAM



REV	
CHANGE NO	
LINK	

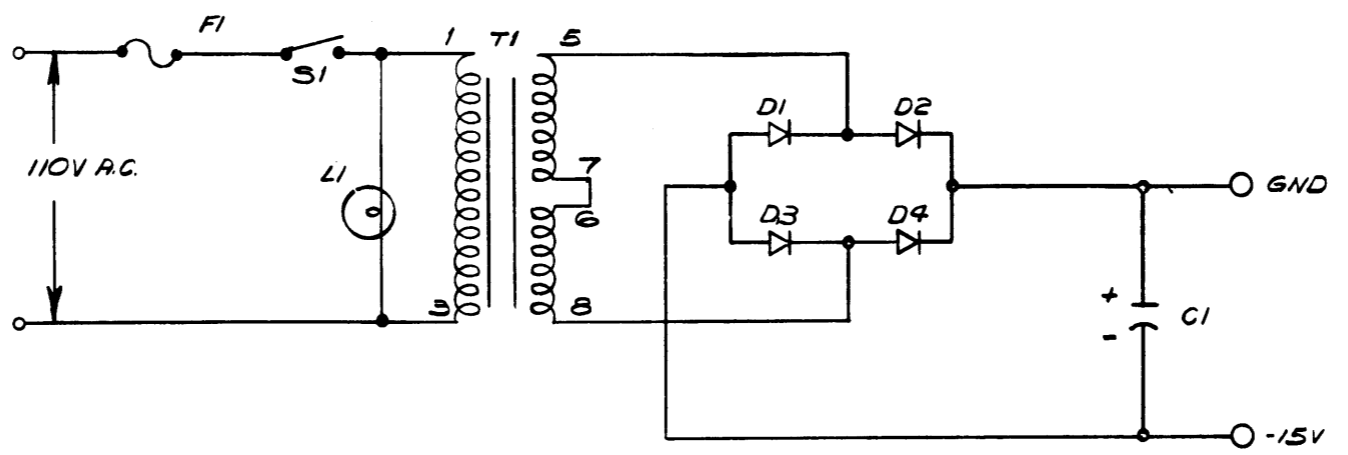
FIRST USED ON OPTION / MODEL  
RF09-T

DO NOT SCALE DRAWING  
UNLESS OTHERWISE SPECIFIED  
DIMENSION IN INCHES  
TOLERANCES  
DECIMALS FRACTIONS ANGLES  
± .008 ± 1/64 ± 0°30'  
FINAL SURFACE QUALITY  
REMOVE BURRS AND BREAK SHARP CORNERS  
MATERIAL  
FINISH

QTY.	DESCRIPTION	PART NO.	ITEM NO.
PARTS LIST			
		DIGITAL EQUIPMENT CORPORATION	
		TITLE RF09 TESTER	
		SIZE CODE DUA	NUMBER RF09-T-0
		SCALE 2 OF 2	DIST. 5

REV  
DUA RF09-T-0

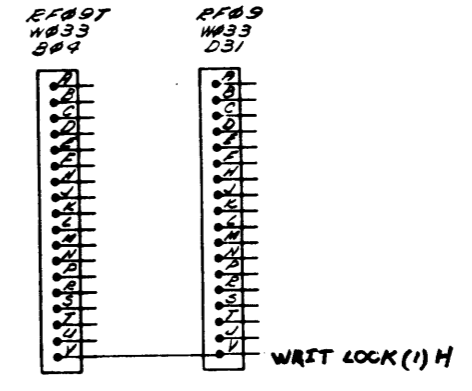
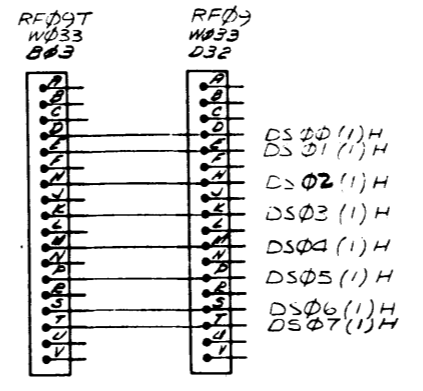
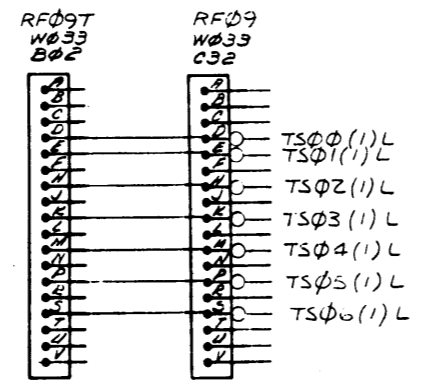
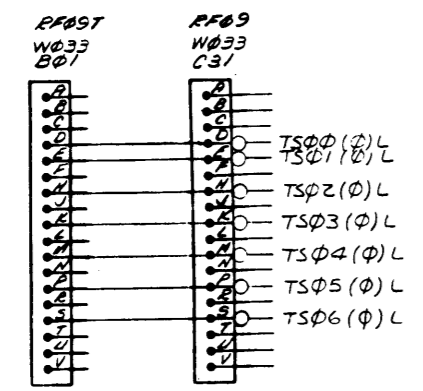
THIS SCHEMATIC IS FURNISHED ONLY FOR TEST AND MAINTENANCE PURPOSES. THE CIRCUITS ARE PROPRIETARY IN NATURE AND SHOULD BE TREATED ACCORDINGLY. COPYRIGHT BY DIGITAL EQUIPMENT CORPORATION



T1	TRANS 23V50 12VCT	1605719
S1	SWITCH C-H 7503	1201991
L1	LIGHT. PILOT 110V	1205403
F1	FUSE .25A 5A6	9007205
D1, D2, D3, D4	DIODES 1A MRE066	1103183
C1	CAP 1000 MFD 15V	1000090
REF DESIGN.	DESCRIPTION	PART NO.

REVISIONS CHG NO. REV	DATE 5-21-69	TRANSISTOR & DIODE CONVERSION CHART				TITLE POWER SUPPLY					
		DEC	EIA	DEC	EIA						
DESIGNER S. J. ...	DATE 5-21-69	DEC	EIA	DEC	EIA	EQUIPMENT CORPORATION MAYNARD, MASSACHUSETTS					
CHECKED ...	DATE 5/21/69	DEC	EIA	DEC	EIA						
<table border="1"> <tr> <td>REV</td> <td>1</td> <td>CS</td> <td>RF03-T-01</td> <td>REV</td> </tr> </table>						REV	1	CS	RF03-T-01	REV	PRINTED CIRCUIT REV.
REV	1	CS	RF03-T-01	REV							

The drawing and specifications herein are the property of Digital Equipment Corporation and shall not be reproduced or copied or used in whole or in part as the basis for the manufacture or sale of items without written permission.

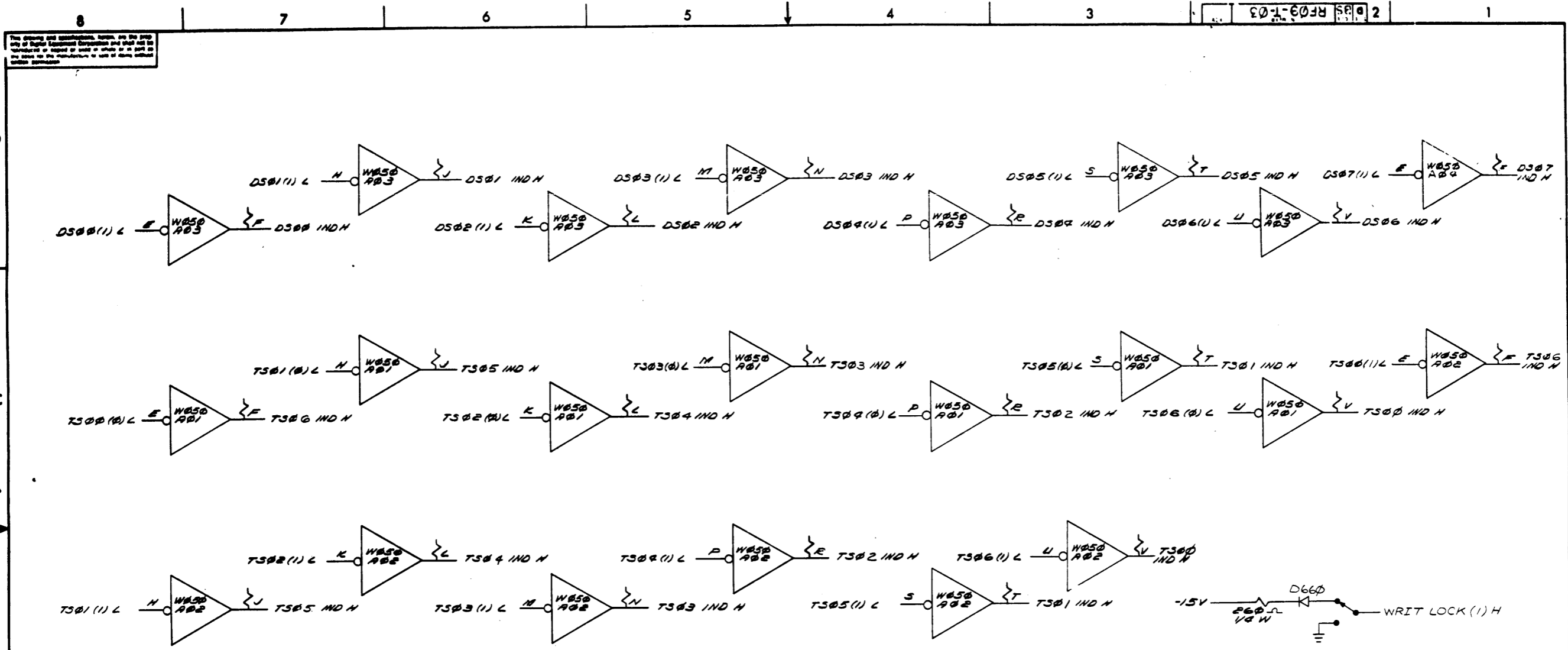


REV	
CHG	
CHK	
REVISIONS	

FIRST USED ON OPTION/MOD	QTY.	DESCRIPTION	PART NO.	ITEM NO.
RF09				
UNLESS OTHERWISE SPECIFIED		PARTS LIST		
DIMENSION IN INCHES		DIGITAL EQUIPMENT CORPORATION		
TOLERANCES		MAYNARD MASSACHUSETTS		
DECIMALS	FRACTIONS	ANGLES	TITLE	
± .005	± 1/64	± 0°30'	CABLES	
FINAL SURFACE QUALITY		NEXT HIGHER ASSY		
REMOVE BURRS AND BREAK SHARP CORNERS		A-ML-RF09-T		
MATERIAL		SIZE CODE	NUMBER	REV
		D I C	RF09-T-02	
FINISH		SCALE		
		SHEET	OF	

2 D I C R F 0 9 - T - 0 2

The drawing and specifications herein are the property of Digital Equipment Corporation and shall not be reproduced or copied in whole or in part or be loaned to the manufacturer or user of items without written permission.



REV	
CHANGE NO	
CHK	

FIRST USED ON OPTION	QTY.	DESCRIPTION	PART NO.	ITEM NO.
RF09-T				
UNLESS OTHERWISE SPECIFIED		PARTS LIST		
UNLESS OTHERWISE SPECIFIED		EQUIPMENT CORPORATION		
DIMENSION IN INCHES		TITLE		
TOLERANCES		INDICATOR DRIVERS		
DECIMALS FRACTIONS ANGLES		NEXT HIGHER ASSY		
± .005 ± .002 ± .010 ± .015		A-M-L-RF09-T		
FINAL SURFACE QUALITY		SIZE CODE		
REMOVE BURRS AND CLEAN SHARP CORNERS		D B S RF09-T-03		
MATERIAL		SCALE		
		D.T.		
FINISH		D.T.		

REV. NO. 03  
PART NO. RF09-T-03  
D B S

This drawing and specifications, herein, are the property of Digital Equipment Corporation and shall not be reproduced or copied in whole or in part as the basis for the manufacture or sale of items without written permission.

	1	2	3	4	5	6	7	8	9	10	11	12	13	14	15	16	17	18	19	20	21	22	23	24	25	26	27	28	29	30	31	32	33	34	35	36	37	38	39	40	41	42	43	44						
	WD50	WD50	WD50	WD50																																														
	T500 IND N	T500 IND N	DS06 IND N	DS07 IND N																																														
	THRU	THRU	THRU																																															
	T506 IND N	T506 IND N	DS06 IND N																																															
	WD53 CABLE	WD53 CABLE	WD53 CABLE	WD53 CABLE																																														
	T500 01L	T500 01L	DS00 01H																																															
	THRU	THRU	THRU	WRITE LOCK (1) N																																														
	T506 01L	T506 01L	DS07 01H																																															

	1	2	3	4	5	6	7	8	9	10	11	12	13	14	15	16	17	18	19	20	21	22	23	24	25	26	27	28	29	30	31	32	33	34	35	36	37	38	39	40	41	42	43	44							

REV	
CHANGE NO	
CHK	

FIRST USED ON OPTION / MOD	UNLESS OTHERWISE SPECIFIED	DATE	DATE	DATE	DATE	DATE	DATE
RF09-T	UNLESS OTHERWISE SPECIFIED	CHK'D	DATE	DATE	DATE	DATE	DATE
	TOLERANCES	ENG.	DATE	DATE	DATE	DATE	DATE
	DECIMALS FRACTIONS ANGLES	PROJ. ENG.	DATE	DATE	DATE	DATE	DATE
	± .008 ± 1/64 ± 0°30'	PROD.	DATE	DATE	DATE	DATE	DATE
	FINAL SURFACE QUALITY	NEXT HIGHER ASSY					
	REMOVE BURRS AND BREAK SHARP CORNERS	P-ML-RF09-T					
MATERIAL		SCALE					
FINISH		SHEET	1 OF 1				



**MODULE UTILIZATION**  
RF09-T

SIZE CODE NUMBER  
DMU RF09-T-04

DIST. REV.

REV. B DMU RF09-T-04

MARK T 1

This drawing and specifications, herein, are the property of Digital Equipment Corporation and shall not be reproduced or copied or used in whole or in part as the basis for the manufacture or sale of items without written permission.

SIGNAL NAME	FROM PIN	TO PIN	COLOR	REMARKS
TS0(0) L	B01D	A01E		
TS1(0) L	B01E	A01H		
TS2(0) L	B01H	A01K		
TS3(0) L	B01K	A01M		
TS4(0) L	B01M	A01P		
TS5(0) L	B01P	A01S		
TS6(0) L	B01S	A01U		
TS0(1) L	B02D	A02E		
TS1(1) L	B02E	A02H		
TS2(1) L	B02H	A02K		
TS3(1) L	B02K	A02M		
TS4(1) L	B02M	A02P		
TS5(1) L	B02P	A02S		
TS6(1) L	B02S	A02U		
DS0(1) H	B03D	A03E		
DS1(1) H	B03E	A03H		
DS2(1) H	B03H	A03K		
DS3(1) H	B03K	A03M		
DS4(1) H	B03M	A03P		
DS5(1) H	B03P	A03S		
DS6(1) H	B03S	A03U		
DS7(1) H	B03T	A04E		
Write Lock (1) H	write lock 5w	B04V		

REVISIONS				DATE	DATE	DIGITAL EQUIPMENT CORPORATION MAYNARD, MASSACHUSETTS	TITLE GENERAL WIRING SHEET FOR TRACK AND DISK SELECT MONITOR	SIZE CODE	NUMBER	REV.
REV.	DATE	CHG. NO.	APP'D.							
				5-21-69				A/WL	RF09-7-5	
SHEET 1 OF 2				CIST.						

LEG FORM NO. 104  
DRA 104

This drawing and specifications, herein, are the property of Digital Equipment Corporation and shall not be reproduced or copied or used in whole or in part as the basis for the manufacture or sale of items without written permission.

SIGNAL NAME	FROM PIN	TO PIN	COLOR	REMARKS
TS6(0) IND H	A01F	Light Ind		
TS5(0) IND H	A01J	Light Ind		
TS4(0) IND H	A01L	Light Ind		
TS3(0) IND H	A01N	Light Ind		
TS2(0) IND H	A01R	Light Ind		
TS1(0) IND H	A01T	Light Ind		
TS0(0) IND H	A01V	Light Ind		
TS6(1) IND H	A02F	Light Ind		
TS5(1) IND H	A02J	Light Ind		
TS4(1) IND H	A02L	Light Ind		
TS3(1) IND H	A02N	Light Ind		
TS2(1) IND H	A02R	Light Ind		
TS1(1) IND H	A02T	Light Ind		
TS0(1) IND H	A02V	Light Ind		
DS0(0) IND H	A03F	Light Ind		
DS1(0) IND H	A03J	Light Ind		
DS2(0) IND H	A03L	Light Ind		
DS3(0) IND H	A03N	Light Ind		
DS4(0) IND H	A03R	Light Ind		
DS5(0) IND H	A03T	Light Ind		
DS6(0) IND H	A03V	Light Ind		
DS7(0) IND H	A04F	Light Ind		

REVISIONS				DATE	DATE	DIGITAL EQUIPMENT CORPORATION MAYNARD, MASSACHUSETTS	TITLE GENERAL WIRING SHEET FOR TRACK AND DISK SELECT MONITOR	SIZE CODE	NUMBER	REV.
REV.	DATE	CHG. NO.	APP'D.							
				5-21-69				A/WL	RF09-7-5	
SHEET 2 OF 2				CIST.						

This drawing and specifications herein, are the property of Digital Equipment Corporation and shall not be reproduced or copied or used in whole or in part as the basis for the manufacture or sale of items without written permission.

DIGITAL EQUIPMENT CORPORATION MAYNARD MASSACHUSETTS			
<b>PACKAGING INSTRUCTION</b>		REV: <u>A</u>	DATE: <u>4/30/70</u>
TITLE RS08 Cabinet-Mounted Disk Dry Packaging of Disk Assembly		<u>B</u>	<u>7/10/70</u>
MATERIAL REQUIREMENTS			
Quantity	Identification No.	Purchase Specification	Description
1	--	99-05007	RS08 desiccant pan (1)
A/R	--	90-07834	3M Double-sided tape 1/2" wide (Scotch #4032)
1	--	99-05006	Bag of DRIERITE desiccant (3)
1	--	--	Plastic air inlet cap
As required	676	--	PERMACEL silver cloth tape
1	CMD7605746-0-0	--	Shipping bracket
2	90-06073-1	--	10-32 x 1/2 lg. machine screws
2	90-07651	--	External star washers
PACKAGING INSTRUCTIONS			
Step	Procedure		
1	Install and tighten Disk drive motor lock.		
2	Disconnect blue, green, red, yellow, and black Disk drive motor leads.		
3	Wrap leads around motor housing, and tape in place as shown in Figure 1.		
4	Assemble the shipping bracket to the disk casting. Secure the disk motor to the bracket by using same motor-lock screw provided with motor lock.		
5	Thoroughly clean dust and foreign matter from the desiccant pan.		
6	Cut four strips of double-sided tape; then place them on the top side of the desiccant pan flange to form a gasket.		
7	Place one 8-ounce bag of DRIERITE desiccant into the pan.		
8	Remove the remaining backing from the gasket, place the pan over the disk motor, and affix the pan firmly to the disk casting. Be certain to offset the desiccant pan so that it does not interfere with the mercury relay in the logic section.		
9	Using PERMACEL silver cloth tape, cut as shown in Figure 1, tape the entire flange area to secure and seal the pan to the disk casting.		
10	Remove the air filtration hose, and cap the air access opening to seal the disk from the outside environment.		
ENG. <i>J. W. Lawrence</i>	APPD. <i>J. W. Lawrence</i>	SIZE <u>A</u>	CODE <u>PI</u> NUMBER <u>3700006-0-0</u>

DEC 8-1031

SHEET 1 OF 2

MATERIAL HANDLING INSTRUCTION		REV: <u>E</u>	DATE: _____
TITLE RS08 CABINET-MOUNTED DISK etc.			
<p>INSERT STAR WASHER AND 10-32 X 1/2 LONG SCREWS (2) INTO CASTING</p>			
<p>TOP VIEW</p>			
ENG. <i>J. W. Lawrence</i>	APPD. <i>J. W. Lawrence</i>	SIZE <u>A</u>	CODE <u>PI</u> NUMBER <u>3700006-0-0</u>

DRC-108

SHEET 2 OF 2



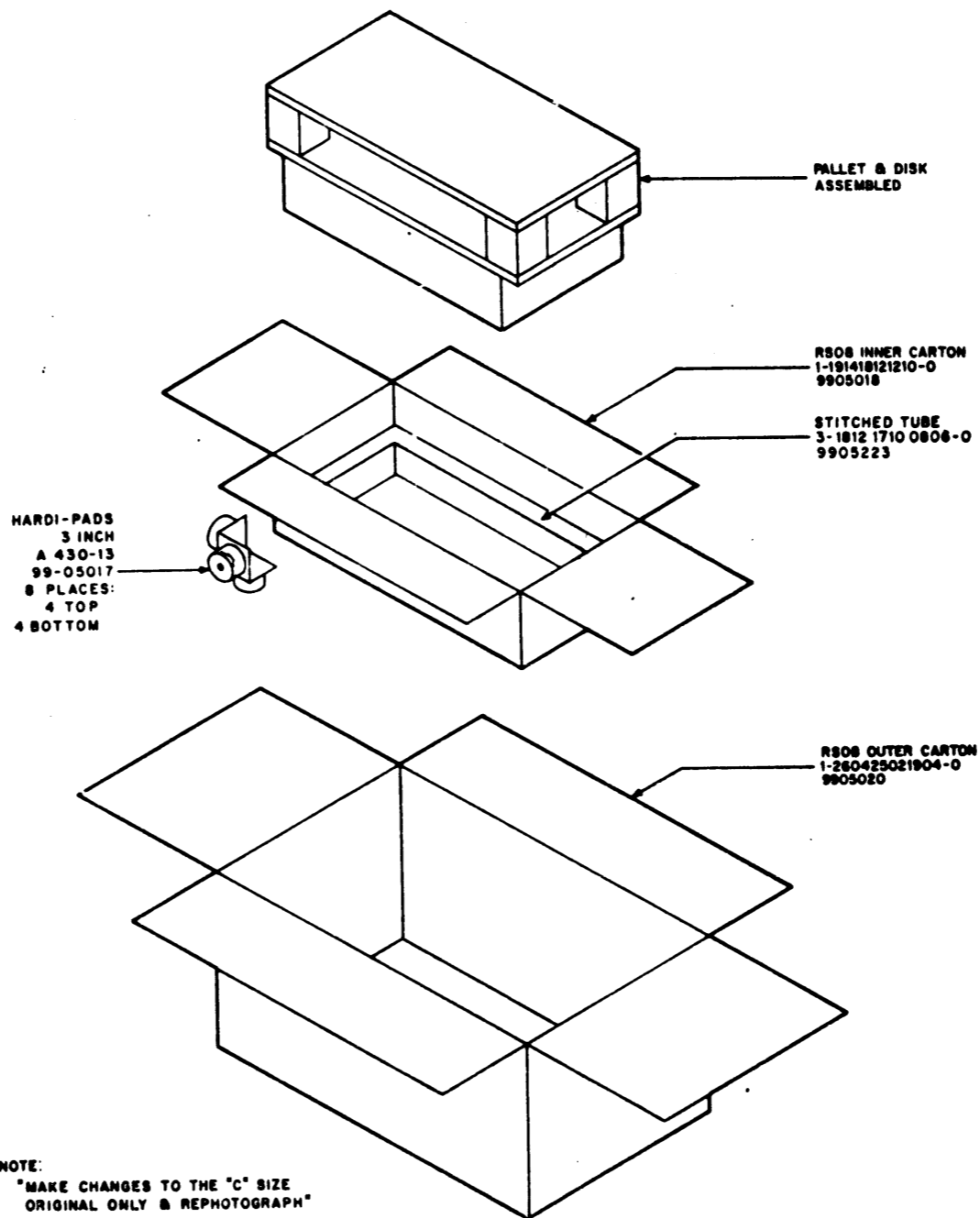


**PACKAGING INSTRUCTIONS**

REV:   A   DATE:   10-72  

TITLE  
RS08/09 DISK

FIG. 2



ENG.  
*J.W. Lawrence*

APPD.  
*J.W. Lawrence 9-16-71*

SIZE  
A

CODE  
PI

NUMBER  
3700014-0-0

REV  
A

DRC-108

SECRET 5 OF 5